

4

3

2

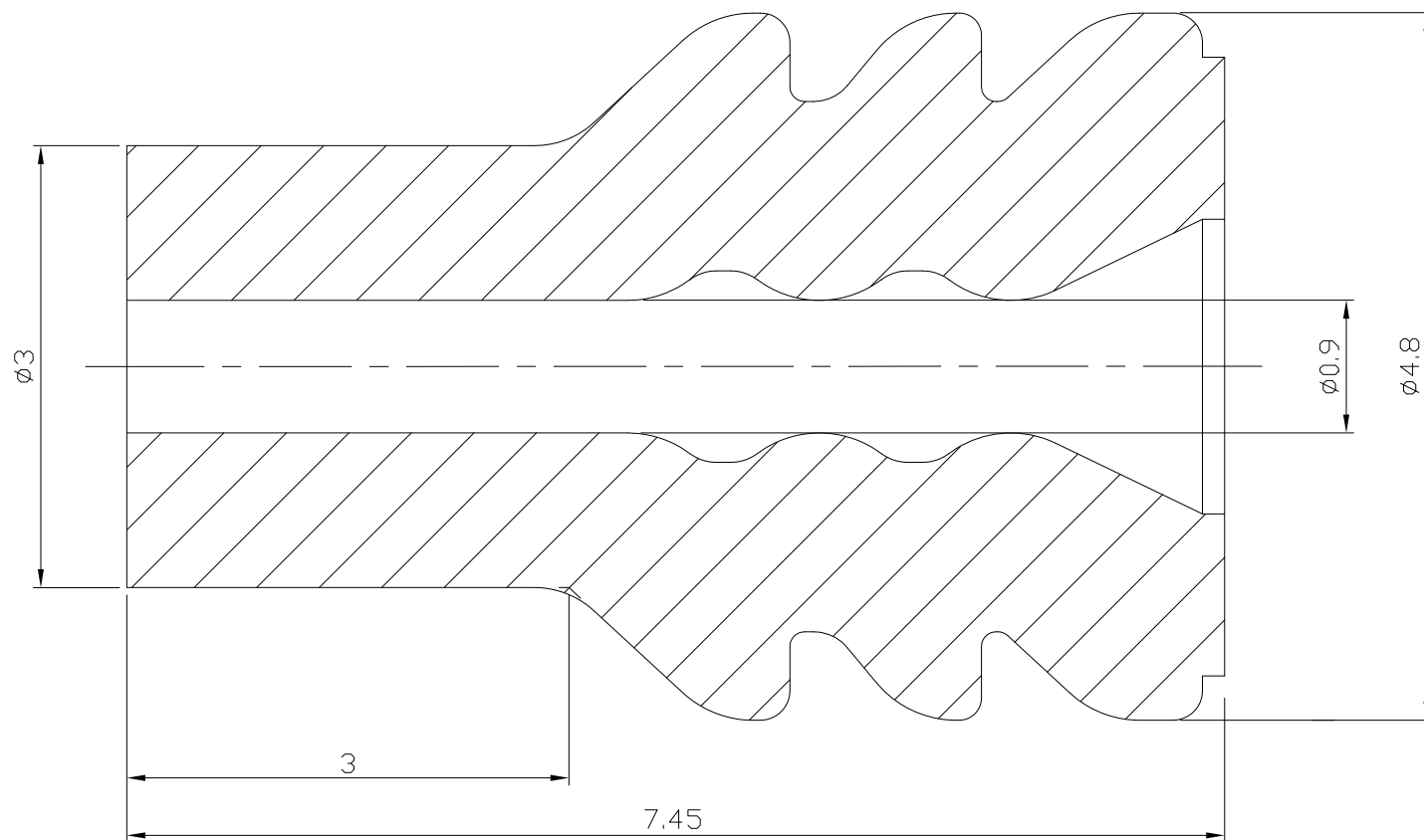
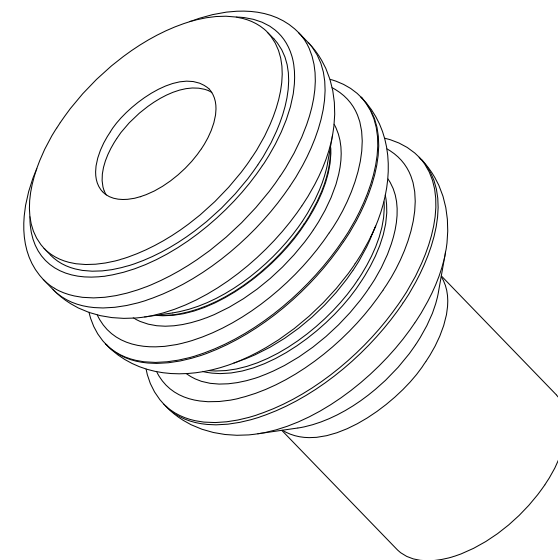
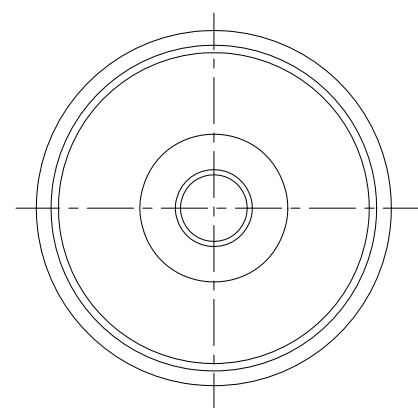
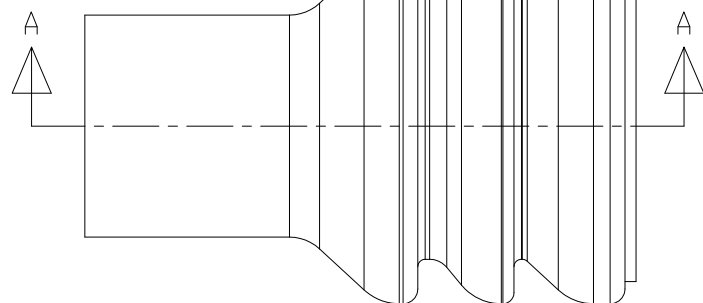
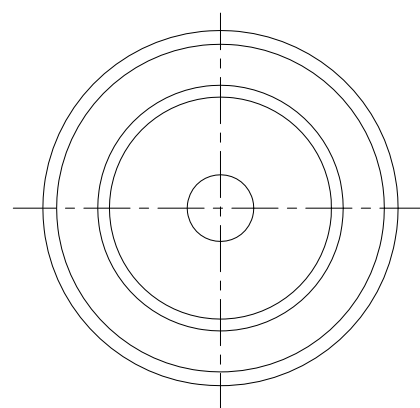
1

THIS DRAWING IS UNPUBLISHED.

RELEASED FOR PUBLICATION

© COPYRIGHT BY TYCO ELECTRONICS CORPORATION, ALL RIGHTS RESERVED.

LOC	DIST	REVISIONS					
		P	LTR	DESCRIPTION	DATE	DWN	APVD
DS	-		E	REVISED (ECR-08-012740)	19.MAY.'08	YS	JK
			F	REVISED (ECR-08-030603)	05.NOV.'08	KT	HG



SECTION A-A  
(SCALE 20:1)

BLUE	SILICONE	WIRE SEAL FOR EJ MK-II(+)	368889-1	50° ± 5°
COLOR	MATERIAL	DESCRIPTION	P/N	HARDNESS

<small>THIS DRAWING IS A CONTROLLED DOCUMENT FOR TYCO ELECTRONICS CORPORATION IT IS SUBJECT TO CHANGE AND THE CONTROLLING ENGINEERING ORGANIZATION SHOULD BE CONTACTED FOR THE LATEST REVISION.</small>		DWN KT JUNG CHK JW JUNG APVD HG CHD PRODUCT SPEC - APPLICATION SPEC - WEIGHT 0.09 g		AMP KOREA, Kyungsan, Korea NAME WIRE SEAL FOR EJ MK-II(+) CONN'R (INSULATION DIA: ø1.2-1.7mm)	
DIMENSIONS: MM 	TOLERANCES UNLESS OTHERWISE SPECIFIED: 0 <XX<10 ± 0.2 10<XX<30 ± 0.25 30<XX ± 0.3 ANGLES ± 3°	SIZE A3	CAGE CODE 00779	DRAWING NO 368889	RESTRICTED TO -
MATERIAL SEE TABLE	FINISH	CUSTOMER DRAWING		SCALE 10/1	SHEET 1 OF 2

4

3

2

1

THIS DRAWING IS UNPUBLISHED.

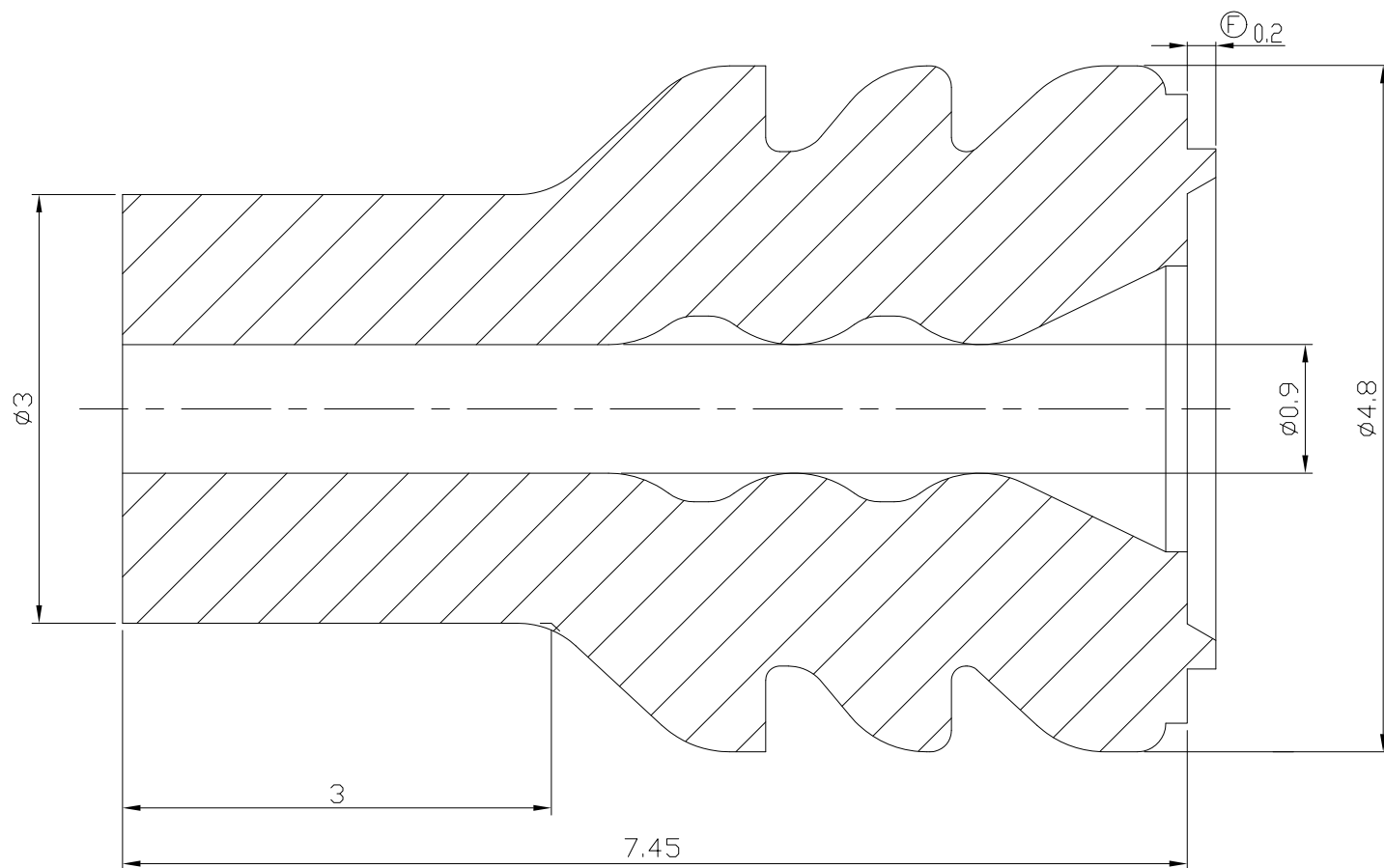
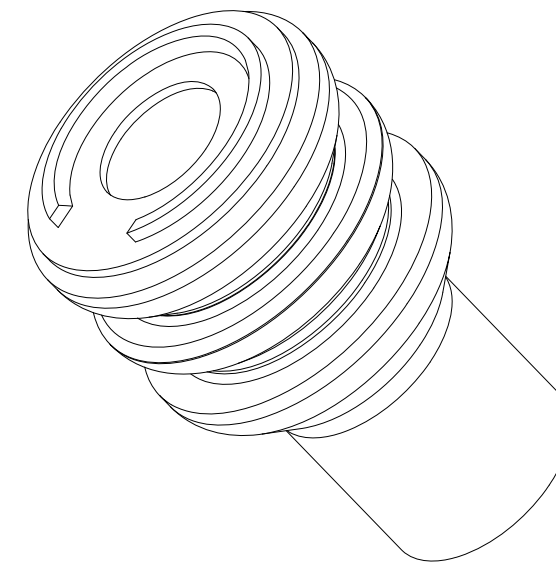
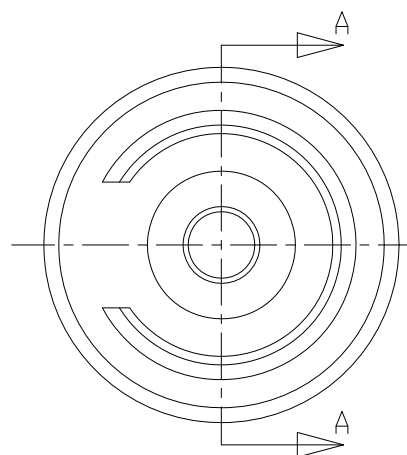
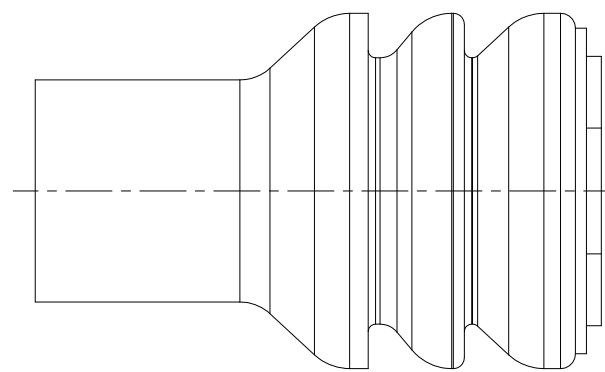
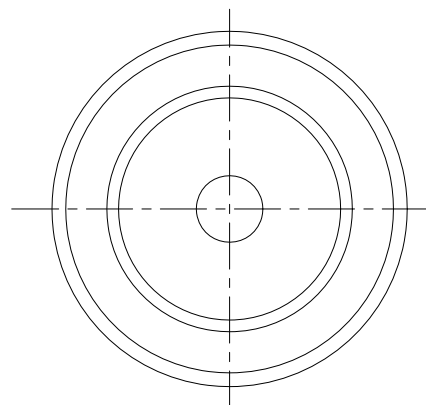
RELEASED FOR PUBLICATION

© COPYRIGHT BY TYCO ELECTRONICS CORPORATION, ALL RIGHTS RESERVED.

LOC DS DIST -

REVISIONS

P	LTR	DESCRIPTION	DATE	DWN	APVD
SEE SHEET 1 of 2					



SECTION A-A (SCALE 20:1)

BLUE	LSR	WIRE SEAL FOR EJ MK-II(+)	1-368889-1	50° ± 5°
COLOR	MATERIAL	DESCRIPTION	P/N	HARDNESS

<small>THIS DRAWING IS A CONTROLLED DOCUMENT FOR TYCO ELECTRONICS CORPORATION IT IS SUBJECT TO CHANGE AND THE CONTROLLING ENGINEERING ORGANIZATION SHOULD BE CONTACTED FOR THE LATEST REVISION.</small>		DWN	AMP KOREA, Kyungsan, Korea		
DIMENSIONS: MM 		CHK			
TOLERANCES UNLESS OTHERWISE SPECIFIED: 0 <XX<10 ± 0.2 10 <XX<30 ± 0.25 30 <XX ± 0.3 ANGLES ± 3°		APVD	NAME		
MATERIAL		PRODUCT SPEC	WIRE SEAL FOR EJ MK-II(+) CONN'R (INSULATION DIA: ø1.2-1.7mm)		
FINISH		APPLICATION SPEC	SIZE	CAGE CODE	DRAWING NO
SEE TABLE		WEIGHT	A3	00779	C-368889
CUSTOMER DRAWING			RESTRICTED TO	-	
SCALE 10/1			SHEET 2	OF 2	REV F