



ENGLISH

Datasheet

EPDM Black Rubber Sealing Strip

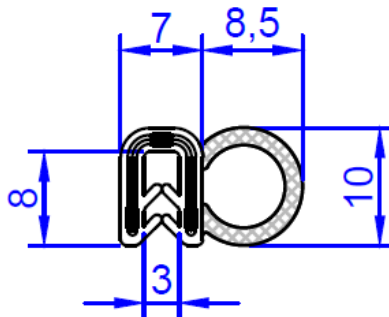
RS Stock number [727-6049](#)



Description:

Black soft sponge rubber sealing strip with steel wire insert. Applications include providing edge protection for sheet material e.g. door panels. May also be used to reduce noise and wear resulting from vibration.

Specifications:



Clamping Range 0.5-2.0mm
Black EPDM 60 ±5 Shore,
Including Looped Wire Carrier
& Hollow Sponge Sealing Section