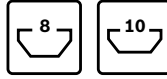
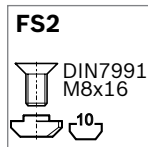
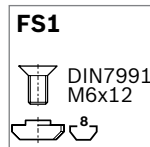
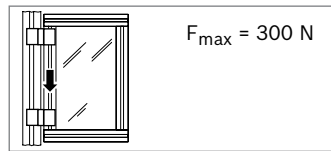
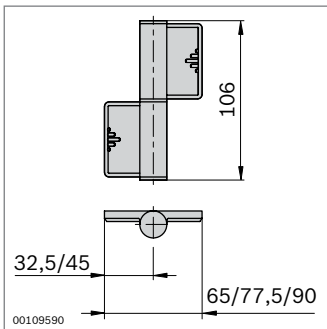
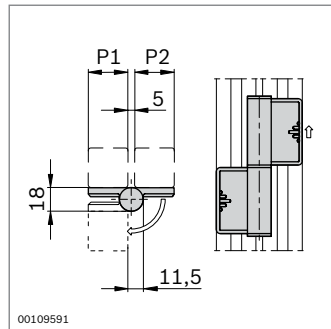
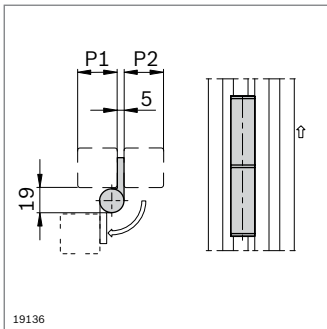



Hinge, removable



- ▶ For constructing large, heavy doors
- ▶ Removable
- ▶ For left and right stop
- ▶ Externally mounted: opening angle approx. 180°
- ▶ Internally mounted: Prevents unauthorized removal, e.g. for safety devices



Hinge, removable	P1 (mm)	P2 (mm)	No.	FS
	30	30	2	3 842 544 552 2xFS1
	30	45	2	3 842 544 553 1xFS1,
	30 ¹⁾	60		1xFS2
	45	45	2	3 842 544 554 2xFS2
	45 ¹⁾	60		
	60 ¹⁾	60		

¹⁾ Not suitable for installing on inner side

Material: Hinge: diecast zinc
 Cover cap: PA; black
 Fastening material: steel; galvanized
 Scope of delivery: incl. fastening material (FS), 2 x cap