



**Polymer
Optics
Limited**

Our Focus is in Plastics

Polymer Optics Ltd.

6 Kiln Ride, Wokingham,
Berks., RG40 3JL, England
Tel/Fax: +44 (0) 1189 893341
www.polymer-optics.co.uk

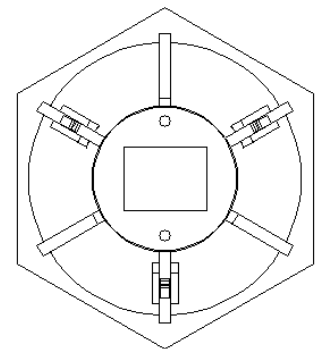
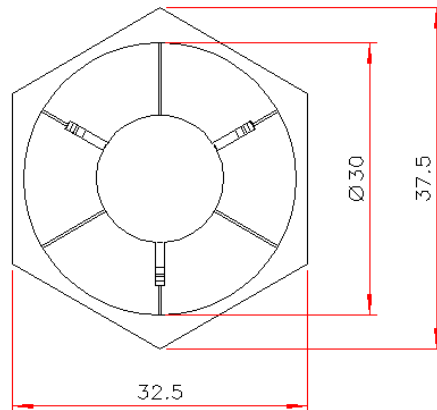
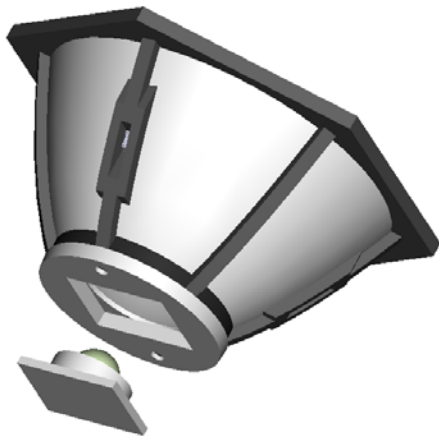
30mm 2.5 Deg Reflector Collimator for Cree XLamp LEDs - Part No. 207



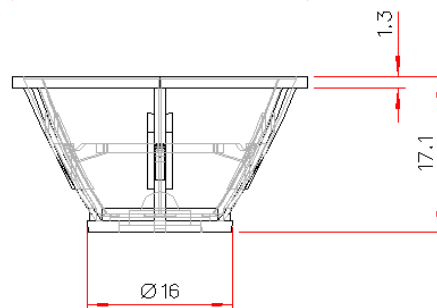
- Designed for Cree XR, XR-C and XR-E LEDs and other 7090 packages
- High light collection efficiency of >85%
- Precision moulded using POL's patent applied for metallised optical insert moulding technique with a polycarbonate frame construction for superior mechanical and thermal stability
- Also available for other Cree LED package types
- Part of the Polymer Optics "Modular LED Optics"® range

Polymer Optics "Modular LED Optics"® design, based on a hexagonal format, allows maximum packing density and assembly flexibility. Arrays of single colour or colour mixed cells can be easily constructed

The 207 Reflector Optic base is designed to push fit over the standard Cree XLamp LED package to align to the LED source



ORIENTATION OF BASE TO 7090 PACKAGE



Typical dimensional tolerances to +/-0.2mm



Our Focus is in Plastics

Polymer Optics Ltd.

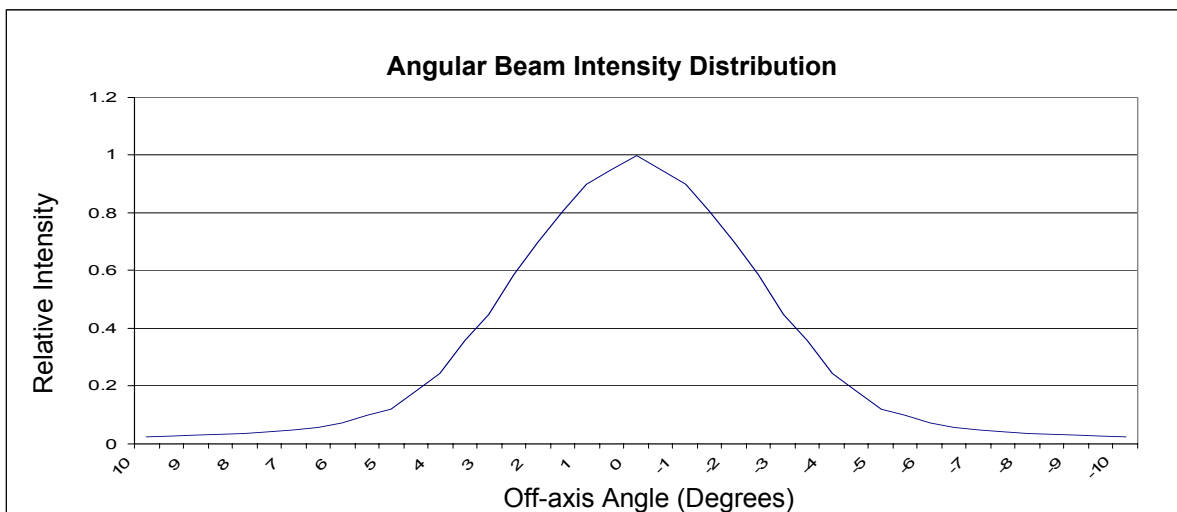
6 Kiln Ride, Wokingham,
Berks., RG40 3JL, England
Tel/Fax: +44 (0) 1189 893341
www.polymer-optics.co.uk

30mm 2.5 Deg Reflector Collimator for Cree XLamp LEDs - Part No. 207



The POL 207 optic's narrow, high intensity beam is ideal for demanding applications, such as:

- ✓ Mining and caving lamps
- ✓ Under water lamps and torches
- ✓ Architectural spot lights (single colour and RGB arrays)
- ✓ Theatrical lights and follow-spots (single colour and RGB arrays)
- ✓ High performance torches
- ✓ High level flood lights
- ✓ Street lights
- ✓ Medical lighting applications



Typical illuminance values using 100 lumen Cree XR-E LED = 41 cd/lumen			
Range	0.5m	1m	2m
Illuminance	16400 lux	4100 lux	1025 lux

Performance values given are typical values and will vary dependant on LED binning, colour and drive profile