

Product Data Sheet

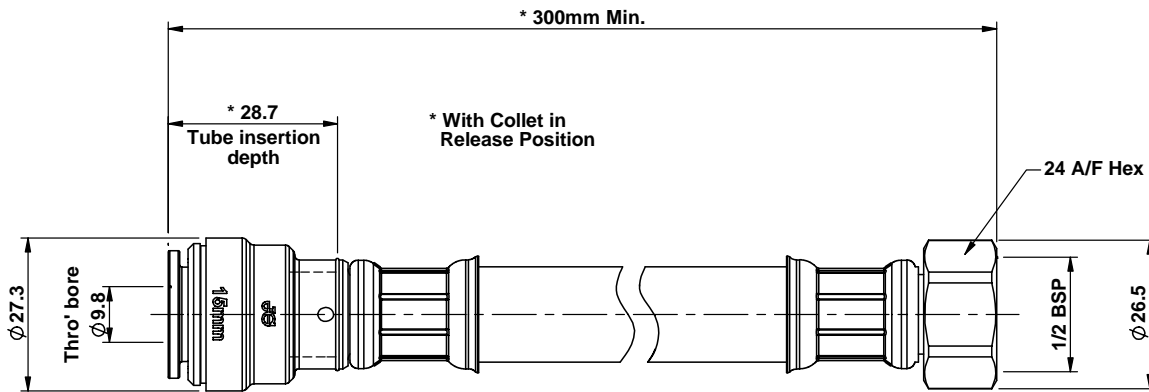
15mm x 1/2 BSP Flexi Hose
(300mm Long)



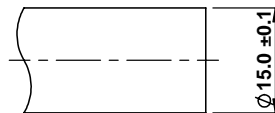
John Guest



Applications	
Hot and Cold Water	✓
Central Heating	×



THIS PRODUCT IS MADE FROM NON-DZR BRASS



Tube Detail

Part Description	Material
15mm x 1/2" ID Hose Connector Assembly	See DS-NC448-01-X, Light and Dark Grey
1/2 BSP Hose Barb	Nickel Plated Brass CZ121
1/2 BSP Captive Brass Nut	Nickel Plated Brass CZ121
1/2 BSP Sealing Washer	Ethylene Propylene, Black
Ferrule, 17mm	Stainless Steel
13mm ID Flexible Braided Hose	Ethylene Propylene / Stainless Steel

All Dimensions in mm

THE COPYRIGHT IN THIS DRAWING AND THE PRODUCTS REFERRED THEREON BELONG TO JOHN GUEST INTERNATIONAL LIMITED AND THIS DRAWING NOR THE INFORMATION CONTAINED HEREIN SHALL BE PRODUCED IN ANY FORM OR USED FOR ANY PURPOSE WITHOUT WRITTEN CONSENT © 2006

The company has a policy of continuous research and development and reserves the right to amend without notice the specification and design of all products illustrated. For details of terms and conditions and any other technical enquiries, please contact our Customer Services Department.

Issue 7 03-08-06

DS-FLX15

REVISION COMMENTS

SEE DS-NC448-01-X WAS SEE DS-NC448

ISSUE	DATE DRAWN	DATE ISS.	DRN. BY	ISS. BY	ECN	CHECKED	APPROVED
1	05-06-02	05-06-02	DSA	DSA	12435	DAP	DAP
2	15-08-02	15-08-02	DSA	DSA	12719	DAP	DAP
3	02-09-02	02-09-02	DSA	DSA	12765	GA	GA
4	26-09-03	26-09-03	MAD	MAD	14348	MAD	MAD
5	10-10-03	10-10-03	KLO	KLO	14488	SL	SL
6	16-07-04	16-07-04	TB	TB	15557	SL	SL
7	03-08-06	03-08-06	TB	TB	-----	SL	SL

DATA SHEET No.

DS-FLX15

TITLE

15mm x 1/2 BSP FLEXI HOSE (300mm LONG)

Issue 7

DS-FLX15