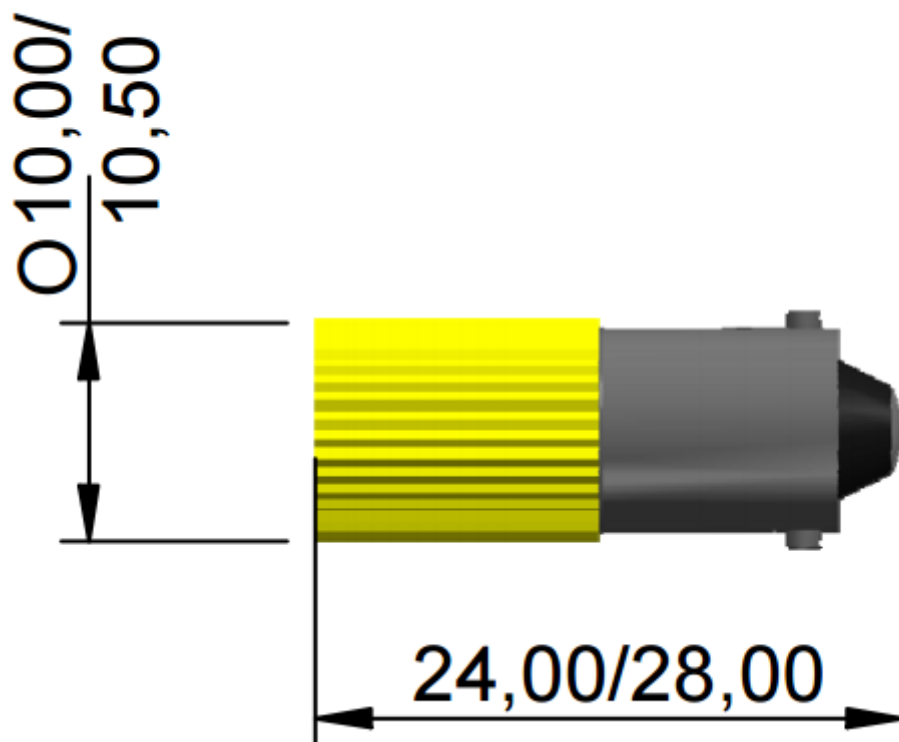


Datasheet

LED Indicator Lamp

RS ITEM NO 205-482



| | | | | | |
|------------------|-----------------|--------------------------|----------------------|-----------|--------------|
| LED/Multiled | <i>Multiled</i> | Optimum voltage (V) | <i>12Vac/dc</i> | Intensity | <i>65mcd</i> |
| Mounting Size | <i>10x28</i> | Rectifier | <i>Half Wave</i> | | |
| Mounting Finish | | AC current | - | | |
| Protection | - | DC current | <i>35mA</i> | | |
| Mount Holder | <i>Ba9</i> | Voltage Tolerance (%) | <i>10%</i> | | |
| Chip Qty | <i>8</i> | Optimum temperature (°C) | <i>-30°C...+60°C</i> | | |
| Indicator colour | <i>Red</i> | Storage temperature (°C) | <i>-30°C...+60°C</i> | | |
| Wavelength (nm) | <i>635</i> | Contact Tab | <i>Ba9s Cap</i> | | |



Dimension in mm (typical), not to scale.

We reserve the right to make changes without further notice to this product to improve reliability, function or design.