

## PG020 - Black Steel Case Pressure Gauges with Bezel

### Features

- Pressure gauge with stainless steel bezel
- Adjustable loose red pointer
- Front or back flange available for panel mounting
- **Brannan** quality and accuracy
- Wide choice of pressure ranges (also available in metres and feet ranges)
- For dry indoor installations



### Standard Product Specifications

<b>Dial Diameters</b>	100mm & 150mm
<b>Design</b>	BS EN 837
<b>Accuracy Class</b>	1.6 (1.0 accuracy available on request)
<b>Ranges</b>	0 to 1 bar & psi through to 0 to 25 bar & psi
<b>Case</b>	Black steel
<b>Bezel</b>	430 Stainless Steel
<b>Connection</b>	100mm diameter: 3/8" or 1/2" BSP Brass bottom entry (back connection on request) 150mm diameter: 3/8" BSP Brass bottom entry
<b>Window</b>	Clear plastic, snap fit
<b>Pointer</b>	Black aluminium and loose red pointers
<b>Filling</b>	Dry
<b>Working Pressure</b>	Steady: 75% full scale range Fluctuating: 60% full scale range Short Time: full scale range
<b>Operating Temperature</b>	Ambient: -20 to +60°C Medium: -20 to +60°C
<b>Storage Temperature</b>	-40 to +60°C
<b>Temperature Effect</b>	When temperature of the pressure element deviates from reference temperature of 20°C the maximum additional error is +/-0.4 per 10°C of the span rising and falling
<b>Bourdon</b>	Cu-Alloy C-type
<b>Bourdon Movement</b>	Cu-Alloy
<b>Protection</b>	IP 43 (BS EN 60529:1992)
<b>Calibration</b>	UKAS certification, certificate traceable to Recognised National Standard or Statement of Conformity, if required

### S.Brannan & Sons Ltd

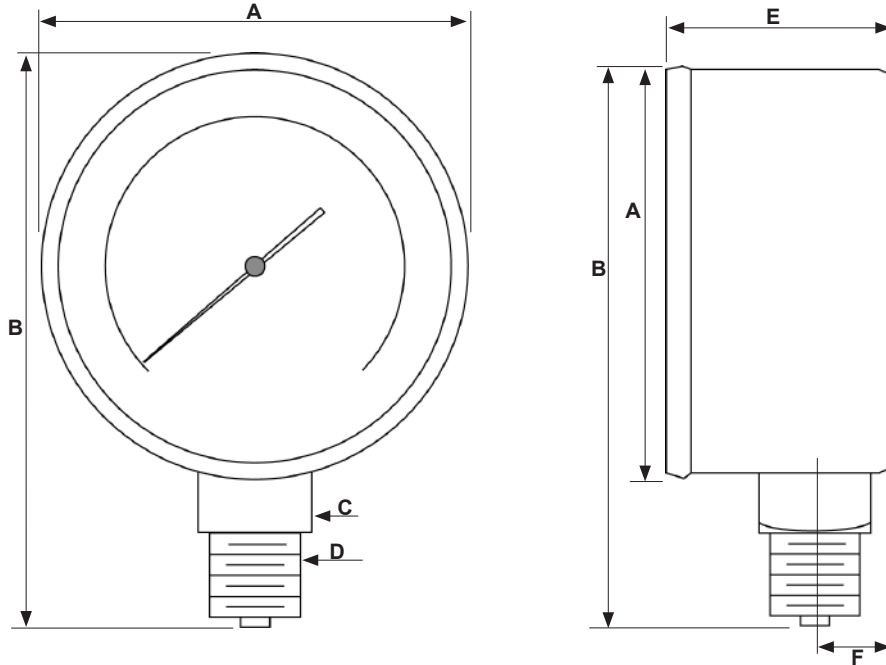
Leconfield Industrial Estate Cleator Moor Cumbria CA25 5QE UK  
tel: +44 (0) 1946 816600 fax: +44 (0) 1946 816600 email: sales@brannan.co.uk web: www.brannan.co.uk

# Product Data Sheet



## PG020 - Black Steel Case Pressure Gauges with Bezel (continued)

### Dimensions



A	B	C	D	E	F
100mm	128mm	17mm AF	3/8" or 1/2" BSP	34mm	11mm
150mm	182mm	17mm AF	3/8" BSP	36mm	11mm

Supplied in individual box with instruction sheet.  
 100mm box dimensions: 130 x 109 x 41mm  
 150mm box dimensions: 161 x 183 x 66mm

### Weights

Supplied in individual box with instruction sheet.

Dial Diameter	Net Weight	Box Weight	Total Weight
100mm dia	316g	27g	343g
150mm dia	669g	60g	730g

### Standard Product Numbers

The following are our standard product numbers. Special products can be supplied on request, for example, customer own branding, alternative connection, range, etc. Minimum order quantities apply. Please contact our Sales Team for further information.

Range Bar & PSI	100mm Diameter Connection		150mm Diameter Connection
	3/8" BSP	1/2" BSP	3/8" BSP
0 to 1	34/651/0	34/651/1	34/951/0
0 to 2.5	34/652/0	34/652/1	34/952/0
0 to 4	34/653/0	34/653/1	34/953/0
0 to 6	34/654/0	34/654/1	34/954/0
0 to 10	34/655/0	34/655/1	34/955/0
0 to 16	34/656/0	34/656/1	34/956/0
0 to 25	34/657/0	34/657/1	34/957/0
0 to 40	34/658/0	34/658/1	-
0 to 60	34/659/0	34/659/1	-
0 to 100	34/660/0	34/660/1	-

All information on this data sheet is accurate at time of print

### S.Brannan & Sons Ltd

Leconfield Industrial Estate Cleator Moor Cumbria CA25 5QE UK  
 tel: +44 (0) 1946 816600 fax: +44 (0) 1946 816600 email: sales@brannan.co.uk web: www.brannan.co.uk

