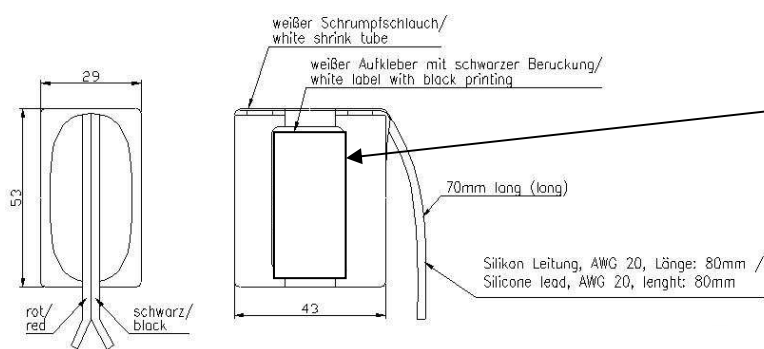
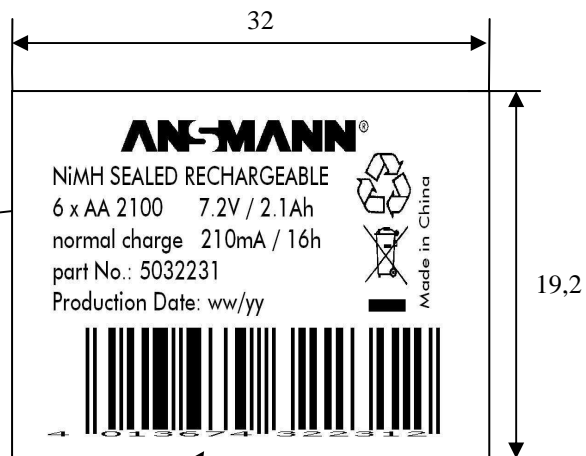


nominal voltage:	7.2V	conditions
max. charge voltage:	9.0V	at standard charge (0.1C / 20°C)
capacity		
nominal :	2100mAh	discharge at 0.2C
minimum:	1950mAh	discharge at 0.2C
	1800mAh	discharge at 1C
		6.0V end discharge voltage
		ambient temperature 20°C
max. continuous discharge current:	4200mA	ambient temperature 20....50°C
charge	charge current	charge time
standard charge:	210mA	16hrs at 20°C
quick charge:	600mA	4hrs
fast charge:	1050mA	2.2hrs
recommended charge termination control parameters:	-dV: 30....60mV dT/dt: 0.8...1°C per min TCO: 40....50°C	
trickle charge current:	20....100mA	(recommended)
continuous overcharge: (less than 1 year)	≤150mA	no conspicuous deformation, no leakage
internal resistance:	≤200mOhms	at 1000Hz, fully charged
life expectancy:	>500 cycles	IEC standard
self discharge		
charge retention:	> 75%	after 12months storage at 20°C
ambient temperature range:	0....50°C 10....45°C -20....60°C -20....50°C -20....40°C -20....35°C	standard charge fast charge discharge storage less than 30 days storage less than 3 month s storage less than 1 year



Weight: 175g



EAN: 4013674322312

	specifications for model/type:	NiMH battery pack 7.2V 2100mAh
		Low self discharge cells
	Ansmann drawing number / part number:	5032231
	author / date:	RA / 12.12.2008