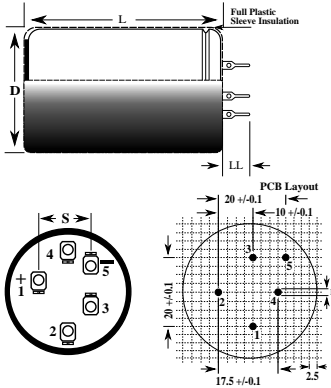


KEMET Part Number: ALP22A473DD016 **Obsolete**
(A622HJ473M016A)

ALP22, Aluminum Electrolytic, 47,000 uF, 20%, 16 VDC, -40/+85°C



Dimensions	
D	40mm +/-1mm
L	55mm +/-2mm
S	20mm +/-0.1mm
LL	7.5mm +/-0.5mm
F	1.3mm

Packaging Specifications	
Weight:	95 g
Sleeving:	Yes
Packaging:	Bulk, Bag

General Information	
Supplier:	KEMET
Series:	ALP22
Dielectric:	Aluminum Electrolytic
Description:	Solder Pin, Aluminum Electrolytic
Features:	Solder Pin
RoHS:	Yes
Lead:	5 Pin Solder
AEC-Q200:	No
Miscellaneous:	Non-Standard Part, Contact KEMET For Availability
Notes:	Dimensions D And L Include Sleeving

Specifications	
Capacitance:	47,000 uF
Capacitance Tolerance:	20%
Voltage DC:	16 VDC, 18.4 VDC (Surge)
Temperature Range:	-40/+85°C
Rated Temperature:	85°C
Life:	26000 Hrs
Leakage Current:	4512 uA (5min 20°C)

Statements of suitability for certain applications are based on our knowledge of typical operating conditions for such applications, but are not intended to constitute - and we specifically disclaim - any warranty concerning suitability for a specific customer application or use. This Information is intended for use only by customers who have the requisite experience and capability to determine the correct products for their application. Any technical advice inferred from this Information or otherwise provided by us with reference to the use of our products is given gratis, and we assume no obligation or liability for the advice given or results obtained.