

DATASHEET

ITEM: 36127

WHEEL AS 200X50/60 CC FIXED M40

WHEEL SERIE

Wheels with cast soft polyurethane coating 87 Sh.A on polyamide 6 center.

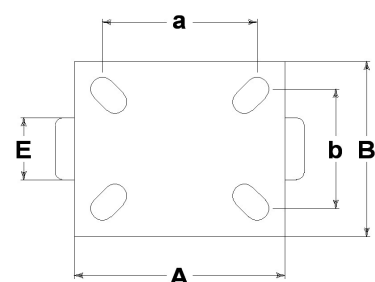
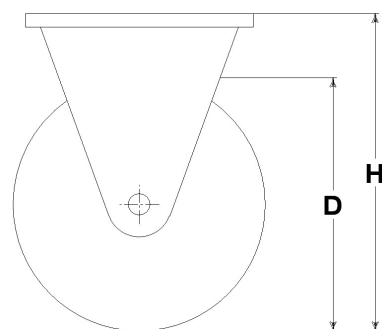
Wheel fitted with ball bearings.

FORK DESCRIPTION

M40 series, medium-heavy duty pressed steel forks, swivel with double ball races & 'water resistant' protections. Zinco-plated.

TECHNICAL DETAILS

Wheel diameter	(D)	200 mm	
Tyre width	(E)	50 mm	
Bore diameter	(d)	20 mm	
Reference weight		2,525 kg	
Overall height	(H)	249 mm	
Top plate outer dimensions	(AxB)	135x110 mm	
Bolt hole spacing	(axb)	105x75 mm	
Bolt hole spacing	(axb)	105x80 mm	
Fixing bolt diameter	(g)	12 mm	
Fork width	(U)	60 mm	
Load capacity		450 kg	
Possible options :			
Wheel replacement		35031	CC



GENERAL INFORMATION / RECOMMENDATIONS AND WARNINGS

The cited text and the complete catalogue in their most up-dated versions are available in our web-site www.lagspa.eu/web/downloads. The dimensions, descriptions, specifications and illustrations herein are indicative and subject to variations without notice. The fact that products are illustrated herein does not necessarily imply they are available from stock nor does it place us under any obligation to supply them. Tests carried out refer to the original products with original accessories: the replacement of one of the components with others of different manufacture might prevent the same results from being achieved and will automatically invalidate any guarantee. Please contact our technical service concerning any special application.