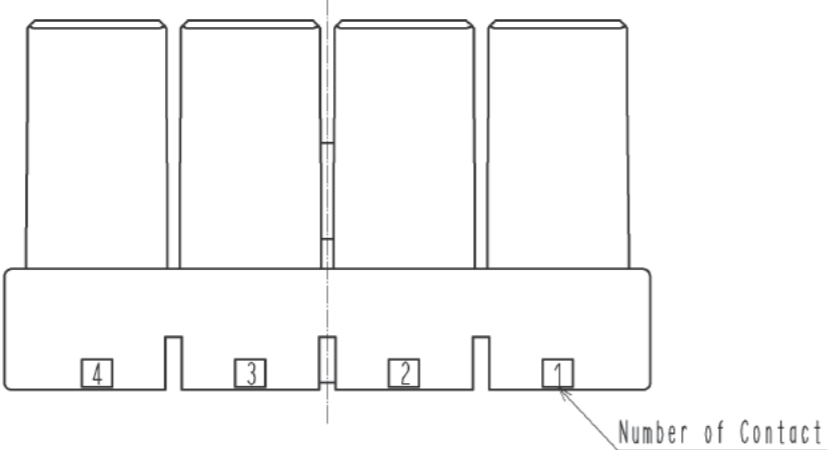
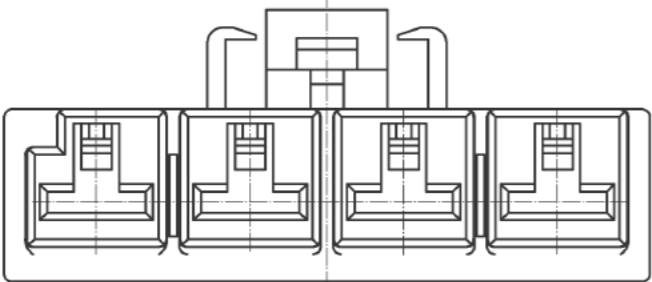
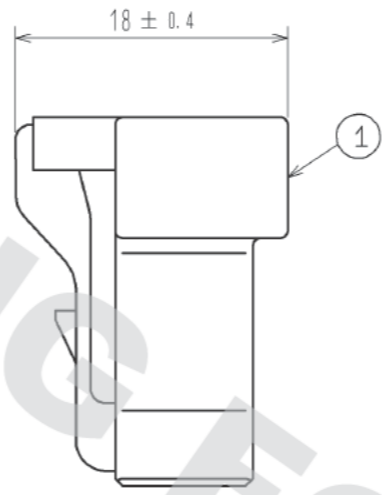
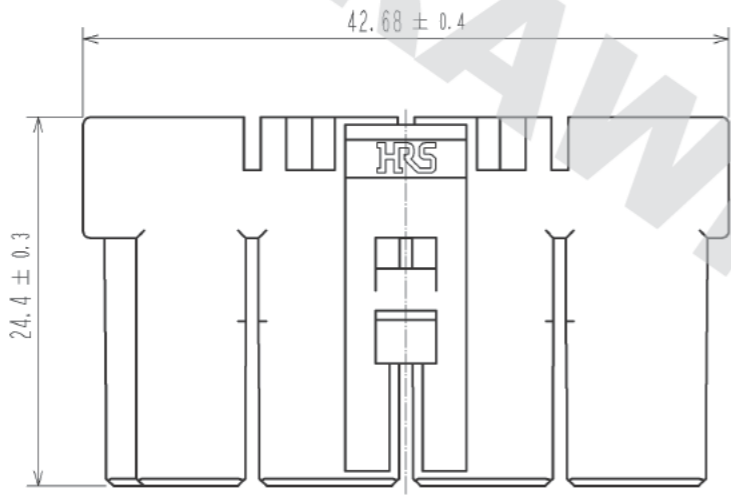
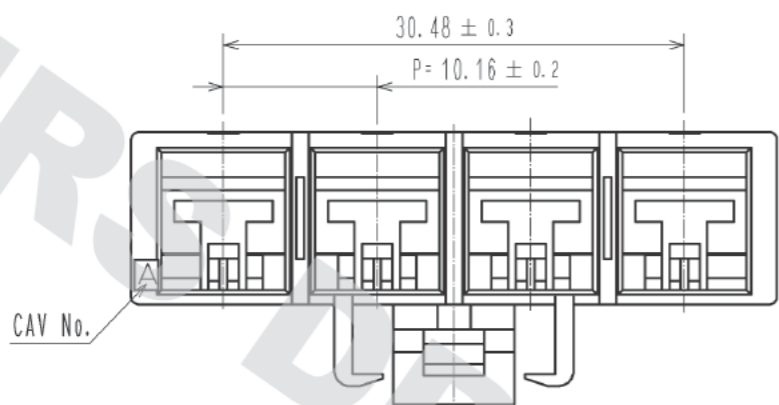


DRAWING FOR REFERENCE: This is subject to change without notice  
05/31/2013



NOTE1. Per Pack : 100 Pieces

NO.	MATERIAL	FINISH . REMARKS	NO.	MATERIAL	FINISH . REMARKS
1	PBT			Black, UL94-V0	
UNITS	mm	SCALE	2 : 1	COUNT	△
APPROVED : KI. AKIYAMA			12.05.17	DRAWING NO. EDC3-338980-01	
CHECKED : OM. MIYAMOTO			12.05.17	PART NO. DF60-4S-10.16C	
DESIGNED : SZ. ONO			12.05.16	CODE NO. CL680-3011-0-00	
DRAWN : SZ. ONO			12.05.16	△ 1/1	