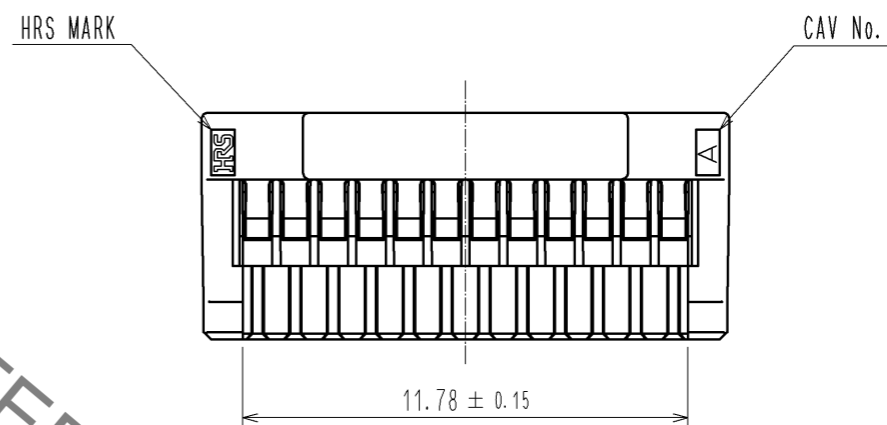
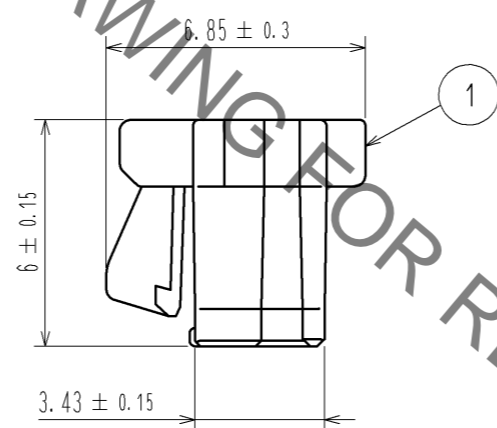
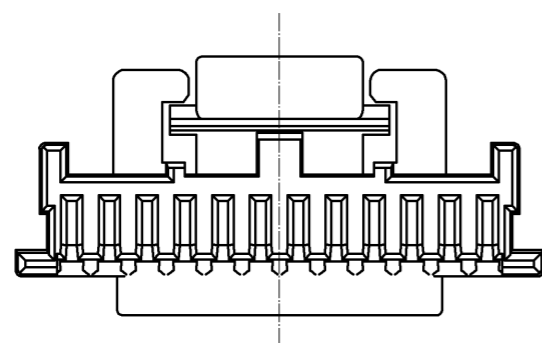
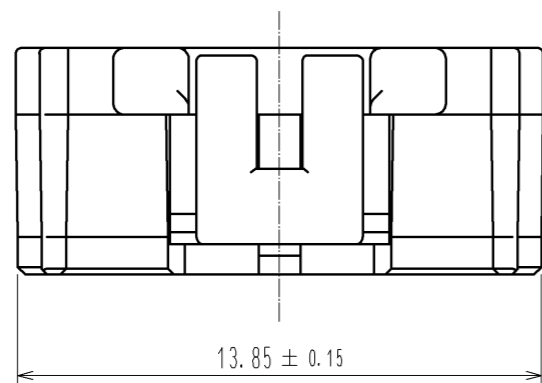
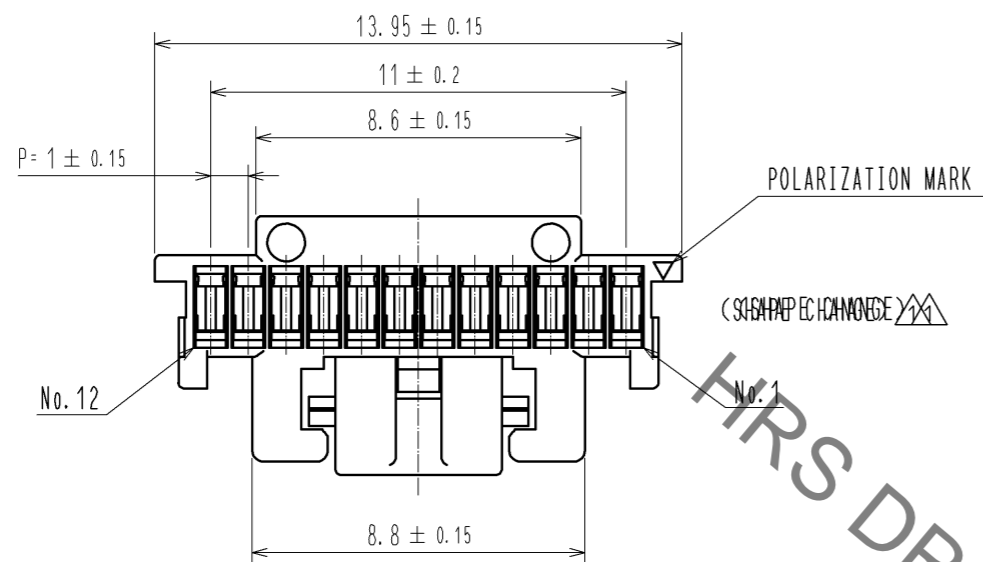


Sep.1.2019 Copyright 2019 HIROSE ELECTRIC CO., LTD. All Rights Reserved.  
 In case of consideration for using Automotive equipment / device which demand high reliability, kindly contact our sales window correspondents.



HRS DRAWING FOR REFERENCE

NOTE1. PER PACK:100 PIECES

NO.		MATERIAL		FINISH . REMARKS		1		PBT		UL94V-0. BLACK		
UNITS mm		SCALE 5 : 1		COUNT 1		DESCRIPTION OF REVISIONS DIS-H-005903		DESIGNED KT. ISHII		CHECKED OM. MIYAMOTO		DATE 11.06.16
HIROSE ELECTRIC CO., LTD.		APPROVED : KI. AKIYAMA		10.12.14		DRAWING NO.		EDC3-329676-00				
		CHECKED : OM. MIYAMOTO		10.12.14		PART NO.		DF50A-12S-1C				
		DESIGNED : TT. OHSAKO		10.12.14		CODE NO.		CL665-1022-3-00				
		DRAWN : TT. OHSAKO		10.12.14								