



Main

Commercial Status	Commercialised
Range of product	Harmony 9001KS
Product or component type	Complete selector switch
Device short name	9001K
Type of operator	Stay put
Operator profile	Key switch

Complementary

Bezel material	Chromium plated metal
Mounting diameter	30 mm
Product weight	0.207 kg
Shape of signaling unit head	Octagonal
Operator position information	2 positions 90°
Type of keylock	E10
Key number	E10
Key withdrawal position	Left and right
Contacts type and composition	Without contact block
Mechanical durability	500000 cycles
Product compatibility	9001KA1, mounting on side 1 or 2

Environment

Protective treatment	TC
Ambient air temperature for storage	-40...70 °C
Ambient air temperature for operation	-25...70 °C
Class of protection against electric shock	Class II conforming to IEC 61140
IP degree of protection	IP66 conforming to IEC 60529
NEMA degree of protection	NEMA 4 NEMA 3R NEMA 3 NEMA 2 NEMA 13 NEMA 12 NEMA 1
Standards	EN/IEC 60947-1 EN/IEC 60947-5-1 EN/IEC 60947-5-4 JIS C 4520 JIS C 852 UL 508 CSA C22.2 No 14
Product certifications	NEMA UL 508
Vibration resistance	7 gn (f = 2...500 Hz) conforming to IEC 60068-2-6
Shock resistance	50 gn conforming to IEC 60068-2-27

The information provided in this documentation contains general descriptions and/or technical characteristics of the performance of the products contained herein. This documentation is not intended as a substitute for and is not to be used for determining suitability or reliability of these products for specific user applications. It is the duty of any such user or integrator to perform the appropriate and complete risk analysis, evaluation and testing of the products with respect to the relevant specific application or use thereof. Neither Schneider Electric Industries SAS nor any of its affiliates or subsidiaries shall be responsible or liable for misuse of the information contained herein.

Offer Sustainability

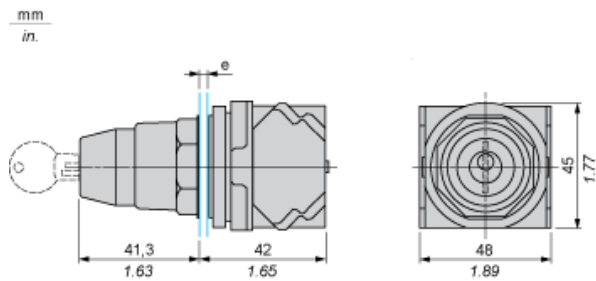
RoHS

Compliant - since 0921 - [Schneider Electric declaration of conformity](#)

REACH

Reference not containing SVHC above the threshold

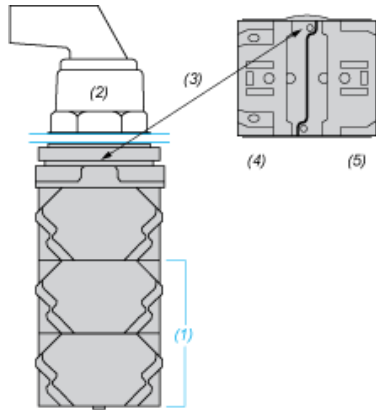
Dimensions



e panel thickness: 1 to 6 mm / 0.04 to 0.24 in.

Contact Block Mounting Position

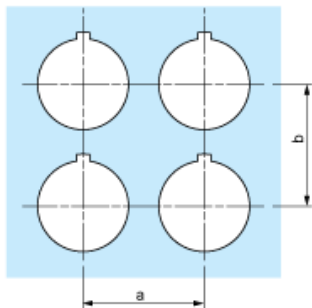
Top and Rear views



- (1) It is possible to mount up to 3 levels of contacts blocks (maximum of 6 contacts blocks)
- (2) Operator
- (3) Locating notch
- (4) Side 1
- (5) Side 2

Panel Cut-Out

Clearance



Legend plate	a min.		b min.	
	mm	in.	mm	in.
9001KN2••	57.2	2.25	44.5	1.75
9001KN3••	57.2	2.25	50.8	2.00

Individual Cut-outs Details

2 alternatives

