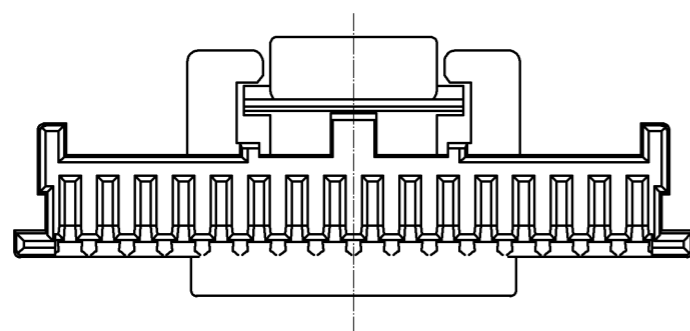
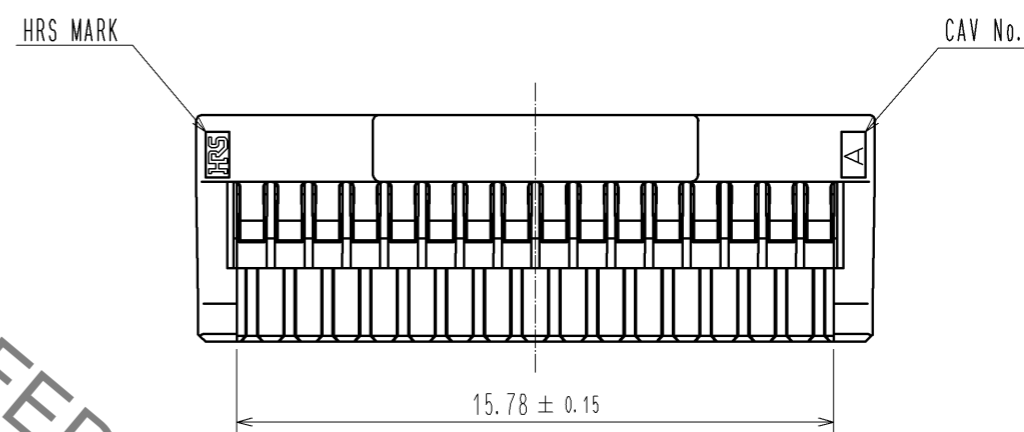
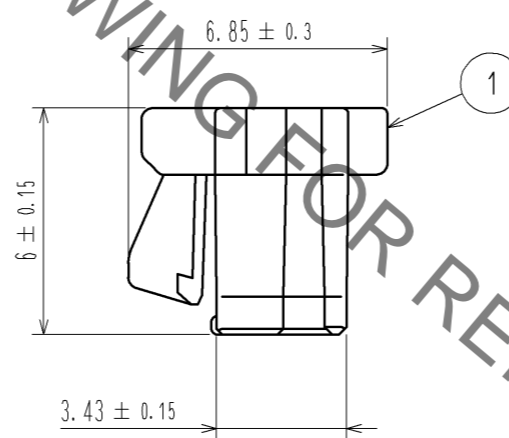
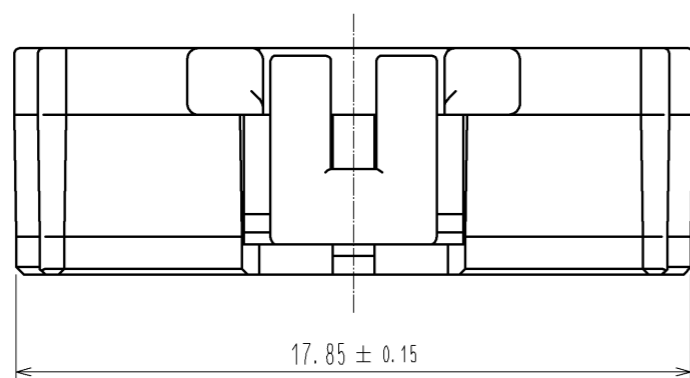
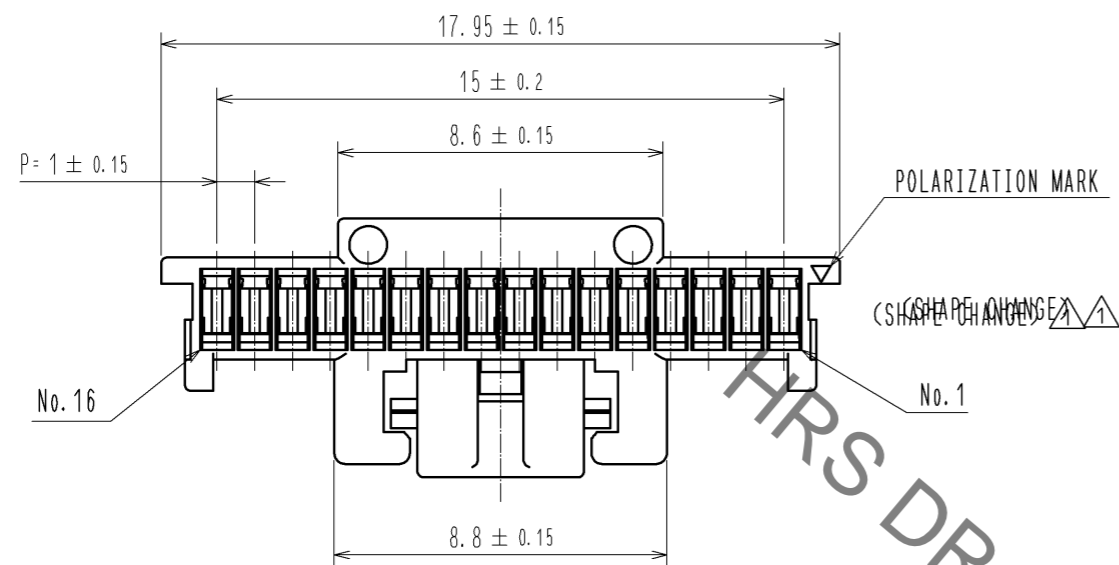


Sep.1.2019 Copyright 2019 HIROSE ELECTRIC CO., LTD. All Rights Reserved.  
 In case of consideration for using Automotive equipment / device which demand high reliability, kindly contact our sales window correspondents.



HRS DRAWING FOR REFERENCE

NOTE1. PER PACK:100 POCES

NO.	MATERIAL	FINISH . REMARKS	NO.	MATERIAL	FINISH . REMARKS
			1	PBT	UL94V-0. BLACK
UNITS mm		SCALE 5 : 1	COUNT 1	DESIGNED KT. ISHII	CHECKED OM. MIYAMOTO
				DATE 11.06.16	
		DESCRIPTION OF REVISIONS DIS-H-005903	APPROVED : KI. AKIYAMA 10.12.10	DRAWING NO. EDC3-329684-00	
			CHECED : OM. MIYAMOTO 10.12.10	PART NO. DF50A-16S-1C	
			DESIGNED : TT. OHSAKO 10.12.09	CODE NO. CL665-1030-1-00	
			DRAWN : TT. OHSAKO 10.12.09		