

Housing - HC-COM-K-SML-O1PG16 - 1408371


Please be informed that the data shown in this PDF Document is generated from our Online Catalog. Please find the complete data in the user's documentation. Our General Terms of Use for Downloads are valid (<http://phoenixcontact.com/download>)



Box mounting base with single locking engagement nose for HC-COM-K-KV-PG16... screw connection, box mounting base is opened from below.



Key commercial data

Packing unit	2 pc
Minimum order quantity	2 pc
GTIN	 4 046356 618113
Weight per Piece (excluding packing)	41.5 g
Custom tariff number	85389099
Country of origin	China

Technical data

General

Type	COM
Assembly instructions	Housing is open for wall side

Ambient conditions

Ambient temperature (operation)	-40 °C ... 125 °C
Degree of protection	IP65/IP66

Material data

Inflammability class according to UL 94	V0
Seal material	NBR
Housing material	Polycarbonate

Classifications

eCl@ss

eCl@ss 4.0	27140816
eCl@ss 4.1	27140816

Housing - HC-COM-K-SML-O1PG16 - 1408371

Classifications

eCl@ss

eCl@ss 5.0	27143424
eCl@ss 5.1	27143424
eCl@ss 6.0	27261203
eCl@ss 7.0	27440202
eCl@ss 8.0	27440202

ETIM

ETIM 4.0	EC000437
ETIM 5.0	EC000437

UNSPSC

UNSPSC 6.01	31261502
UNSPSC 7.0901	31261502
UNSPSC 11	31261502
UNSPSC 12.01	31261502
UNSPSC 13.2	31261502

Approvals

Approvals

Approvals

EAC

Ex Approvals

Approvals submitted

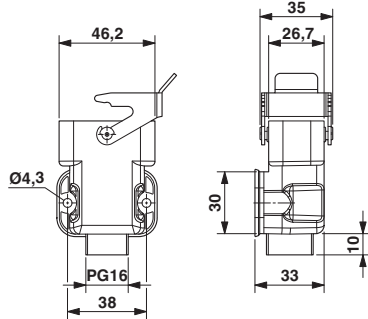
Approval details

EAC

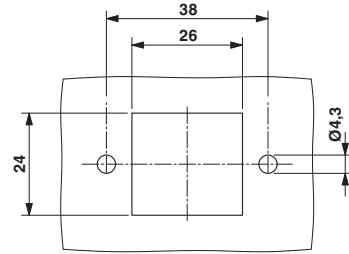
Drawings

Housing - HC-COM-K-SML-O1PG16 - 1408371

Dimensioned drawing



Dimensioned drawing



Panel cutout

Dimensional drawing