

TPS

Momentary Switches

Door

TPS

- Characteristics
- Adjustable operating position
 - Impact resistant
 - Choice of normally open or normally closed versions
-

Rating Up to 250 VAC, 15 A

Dimensions (mm) 54 × 50 × 18

Actuator Horizontal plunger

Approvals UL, CSA



Preferred Range

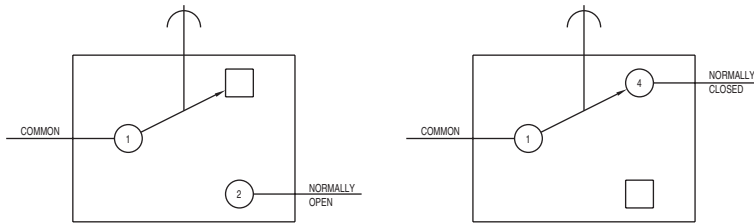
Ordering Reference	Sealing	Operating pos.	Terminal	Circuit	Actuator	Contacts	Electrical rating
TPS1UL	IP40	See note	Screws	NO	Plunger	Silver	Up to 250 VAC, 15 A
TPS2UL	IP40	See note	Screws	NC	Plunger	Silver	Up to 250 VAC, 15 A

TPS

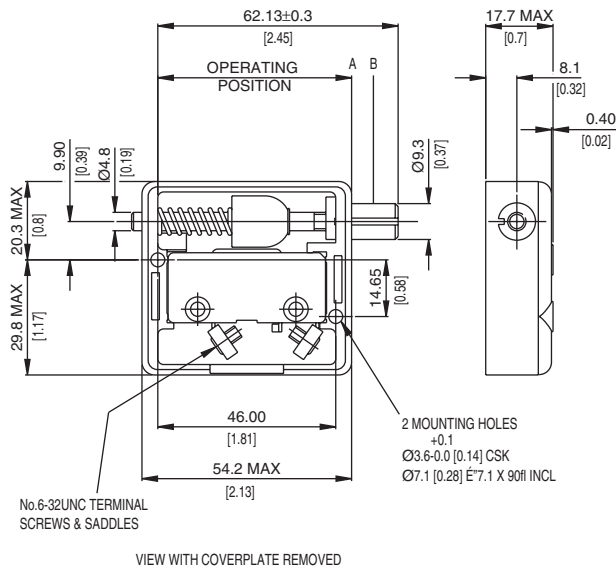
Specifications

Housing	Polycarbonate
Plunger	Polycarbonate
Mechanism	Single pole - TPS1 - normally open, TPS2 - normally closed
Contacts	Silver
Terminals	6-32 UNC screws with clamps - brass
Temperature range	-10°C to +85°C
Mechanical life	10 ⁶ cycles minimum
Type of protection	IP40 (switch)

Circuit diagram



Dimensions



Recommended maximum electrical ratings

Voltage (max)	Resistive load (A)	Inductive load	Horsepower	Approval
125 VAC	15 (0.75 pf)	-	-	UL 1054/CSA 22.2 No. 55 - 6,000 operations
250 VAC	15 (0.75 pf)	-	-	UL 1054/CSA 22.2 No. 55 - 6,000 operations
0 - 15 VDC	15	-	-	General rating - 50,000 operations
15 - 30 VDC	10	-	-	General rating - 50,000 operations

TPS

Operating Characteristics

Actuator	Reference	Operating Position	Depressed Position Maximum
Spring Plunger	TPS1 TPS2	Adjustable by 6.35 mm (0.25 in) from position A to position B	Plunger can be depressed flush with housing. The housing should not be used as an end stop.

Ordering Reference

Type	TPS
Circuit	1 Normally open 2 Normally closed
Approvals	UL UL and CSA approved
