

# Furniture Locks

## Specifying a product when ordering

**AFTER SELECTING THE PRODUCT YOU REQUIRE, PLEASE  
ADD THE FOLLOWING:**

**1. REMOVABLE BARREL SYSTEM.....PAGES 4.10 - 4.49**

**2. FIXED BARREL PRODUCTS.....PAGES 4.50 - 4.99**

**3. LOCK SPECIFICATION .....SEE 12.10 FOR DETAILS**

**4. CAM DETAILS.....SEE 12.30 AND PRODUCT  
DATA SHEET FOR DETAILS**

**5. KEYING DETAILS.....SEE 12.20 FOR DETAILS**

**6. FIXING DETAILS.....SEE 12.20 AND PRODUCT  
DATA SHEET FOR DETAILS**

**PLEASE CONTACT OUR SALES DEPARTMENT IF YOU REQUIRE HELP**

**LOWE & FLETCHER LTD**

MOORCROFT DRIVE, WEDNESBURY, WEST MIDLANDS, ENGLAND WS10 7DE.

TELEPHONE: 0121 505 0400. FAX: 0121 505 0420. E-MAIL: sales@lowe-and-fletcher.co.uk WEB SITE: www.lowe-and-fletcher.co.uk

# Technical - Removable Barrel Procedure

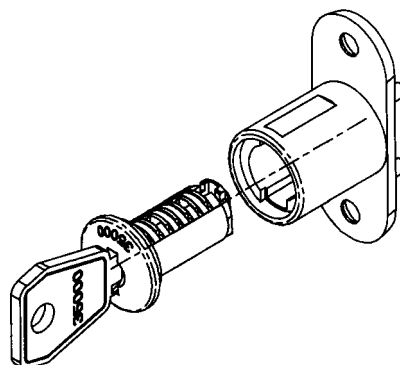
35 Series Products Only

## BARREL INSERTION

- With the lock in the “unlocked position”, align the barrel with the housing as shown and insert the barrel.
- Insertion is possible with the servant key, the removal key, or without a key.

## BARREL REMOVAL

- Insert the servant key and turn to the unlocked position.
- Remove the servant key.
- Insert the removal key and extract the barrel.



MOVEMENT	BARREL POSITION	HOUSING POSITION
03 / 04		
01 / 08		
02 / 09		

LOWE & FLETCHER LTD

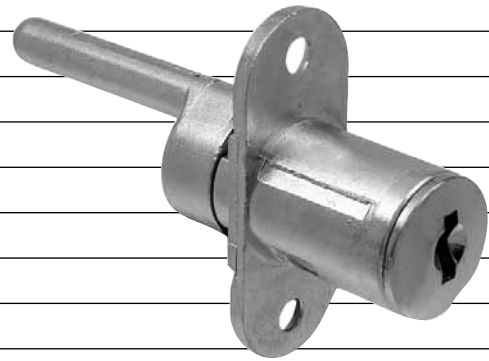
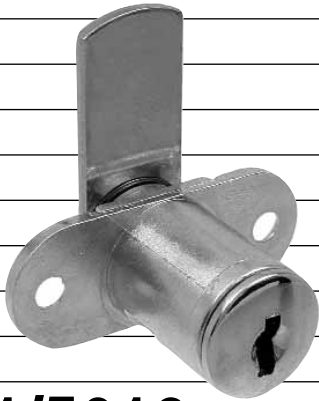
MOORCROFT DRIVE, WEDNESBURY, WEST MIDLANDS, ENGLAND WS10 7DE.

TELEPHONE: 0121 505 0400. FAX: 0121 505 0420. E-MAIL: sales@lowe-and-fletcher.co.uk WEB SITE: www.lowe-and-fletcher.co.uk

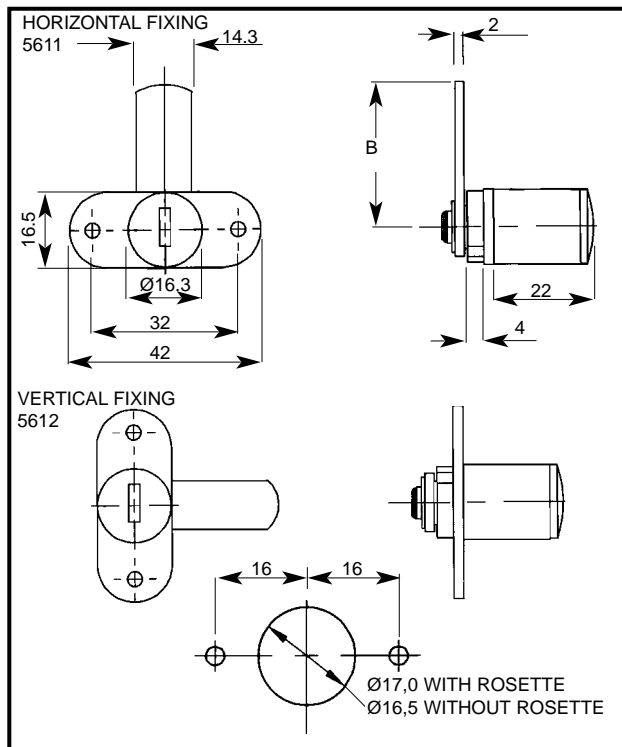
# Tambour Locks

# Pedestal Locks

Removable Barrel



## 5611/5612



### PRODUCT REFERENCE NUMBERS

KEY SERIES	COMBINATIONS	FIXING	VERTICAL	HORIZONTAL
35 M	200 *	DOUBLE FLANGE	5612	5611

M = MASTER KEY SYSTEM: SUPPLIED TO ORDER ONLY

STANDARD MOVEMENTS: 3, 4, 8, 9

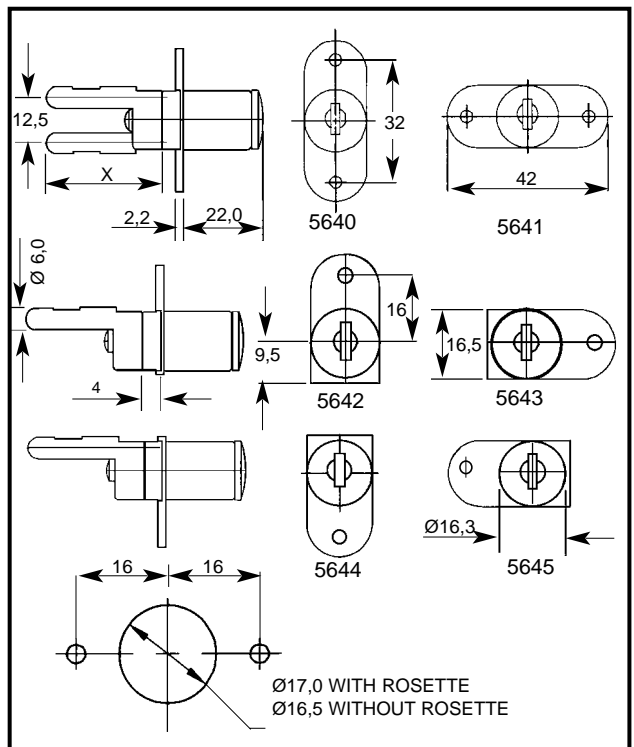
STANDARD FINISHES: 2A = BRIGHT CHROME  
7A = BRIGHT NICKEL  
2B = BLACK CHROME

ROSETTE 7008003 SUPPLIED ON REQUEST

\* 500 TO ORDER ONLY

USE 'T' CAMS SPECIFIED ON PAGE 12.31

## 5640/5645



### PRODUCT REFERENCE NUMBERS

KEY SERIES	COMBINATIONS	FIXING	VERTICAL	HORIZONTAL
35 M	200 *	DOUBLE FLANGE	5640	
		DOUBLE FLANGE		5641
		SINGLE FLANGE TOP	5642	
		SINGLE FLANGE RH		5643
		SINGLE FLANGE BOTTOM	5644	
		SINGLE FLANGE LH		5645

M = MASTER KEY SYSTEM: SUPPLIED TO ORDER ONLY

STANDARD MOVEMENTS: 3, 4

STANDARD FINISHES: 2A = BRIGHT CHROME  
7A = BRIGHT NICKEL  
2B = BLACK CHROME

ACTUATOR CAM DIMENSION X: 20mm, 25mm, 32mm,  
40mm, 45mm, 55mm.

\* 500 TO ORDER ONLY

ROSETTE 7008003 SUPPLIED ON REQUEST

AVAILABLE WITH LOCKING BAR SEE PAGE 12.53.

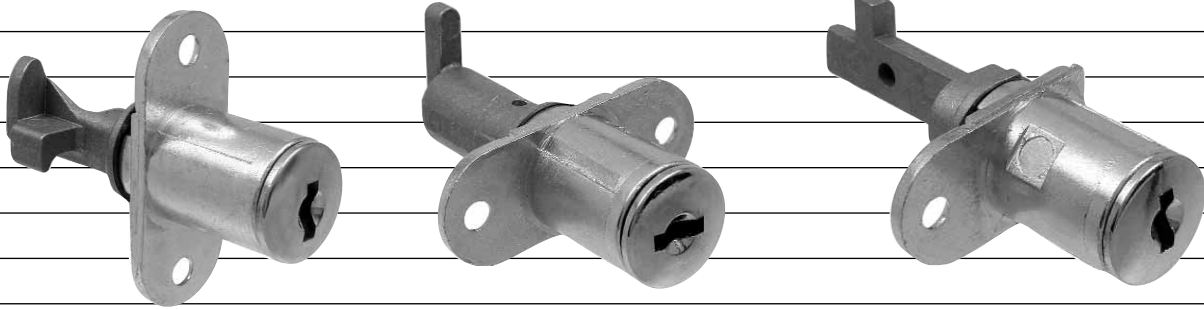
## LOWE & FLETCHER LTD

MOORCROFT DRIVE, WEDNESBURY, WEST MIDLANDS, ENGLAND WS10 7DE.

TELEPHONE: 0121 505 0400. FAX: 0121 505 0420. E-MAIL: sales@lowe-and-fletcher.co.uk WEB SITE: www.lowe-and-fletcher.co.uk

# Pedestal Locks

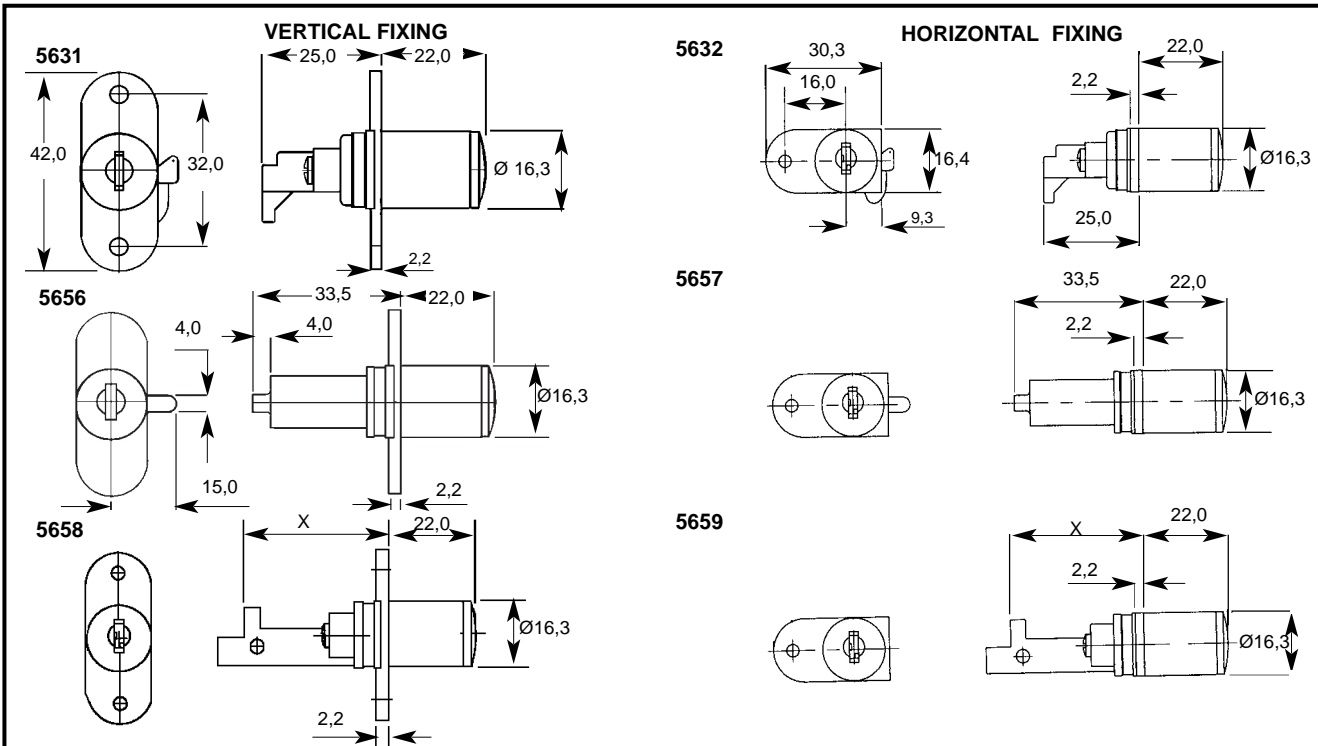
Removable Barrel, Anti Tilt



**5631/32**

**5656/57**

**5658/59**



## PRODUCT REFERENCE NUMBERS

KEY SERIES	COMBINATIONS	VERTICAL FIX DOUBLE	HORIZONTAL FIX SINGLE	SUITABLE FOR ANTI TILT SYSTEMS LISTED BELOW
35 <b>M</b>	200 *	5631	5632	HUWIL
		5656	5657	LEHMANN/HEKNA
		5658	5659	HUWIL SVS 3

**M** = MASTER KEY SYSTEM

STANDARD MOVEMENT: 3

STANDARD FINISHES:  
2A = BRIGHT CHROME,  
7A = BRIGHT NICKEL,  
2B = BLACK CHROME.

\* 500 TO ORDER ONLY

ACTUATOR CAM DIMENSION 'X' 35.0 USE PART NO 7640512  
38.5 USE PART NO 7640517

ROSETTE SUPPLIED ON REQUEST.

**LOWE & FLETCHER LTD**

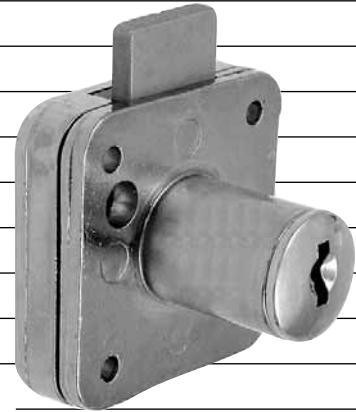
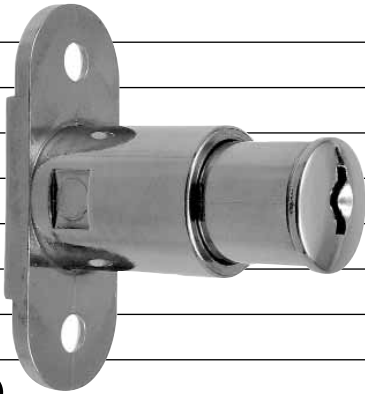
MOORCROFT DRIVE, WEDNESBURY, WEST MIDLANDS, ENGLAND WS10 7DE.

TELEPHONE: 0121 505 0400. FAX: 0121 505 0420. E-MAIL: sales@lowe-and-fletcher.co.uk WEB SITE: www.lowe-and-fletcher.co.uk

# Sliding Door Lock — Rim Lock

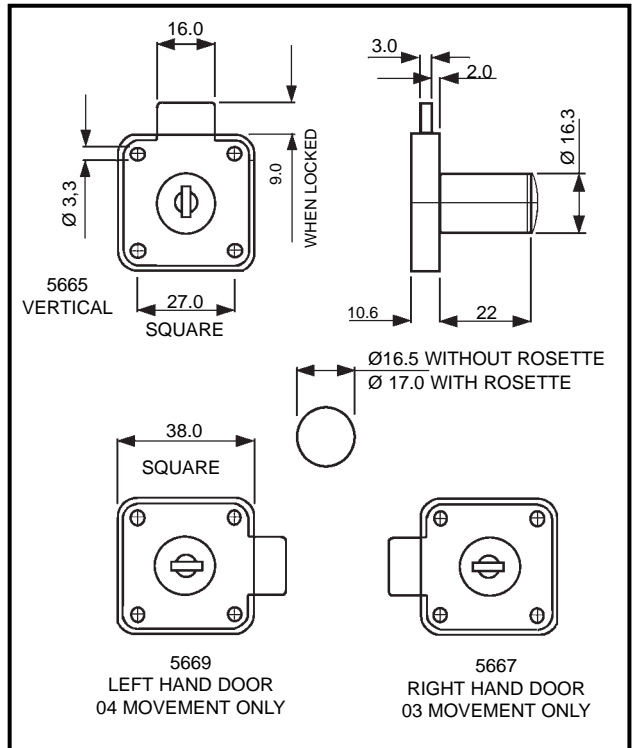
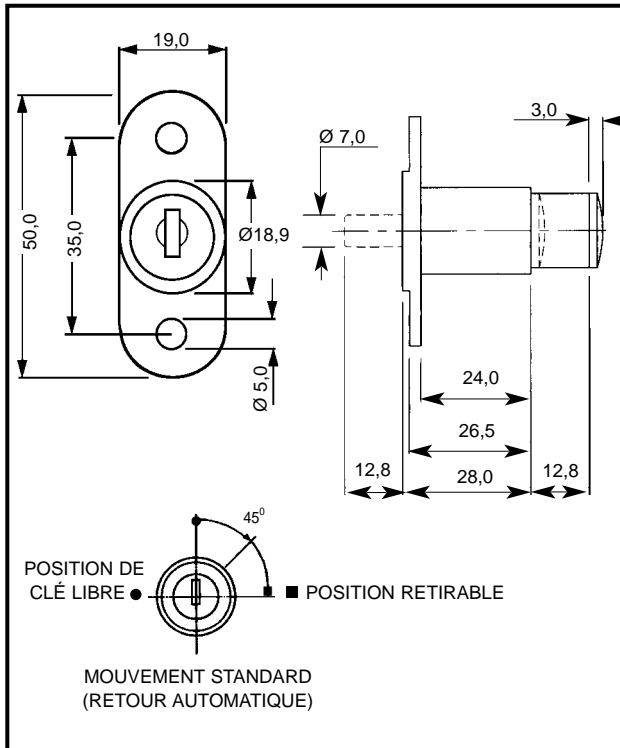
Removable Barrel

Removable Barrel



## 5662

## 5665



PRODUCT REFERENCE NUMBERS			
KEY SERIES	COMBINATIONS	PUSH TO LOCK	KEY TO LOCK
35 M	200 *	5662	5663

M = MASTER KEY SYSTEM: SUPPLIED TO ORDER ONLY

STANDARD MOVEMENTS: 0 (SEE DRAWING)

STANDARD FINISHES: 2A = BRIGHT CHROME  
2B = BLACK CHROME

ROSETTE 7011401 SUPPLIED ON REQUEST

\* 500 TO ORDER ONLY.

PRODUCT REFERENCE NUMBERS				
KEY SERIES	COMBINATIONS	VERTICAL	RH	LH
35 M	200 *	5665	5667	5669

M = MASTER KEY SYSTEM: SUPPLIED TO ORDER ONLY

STANDARD MOVEMENTS: 3, 4

STANDARD FINISH: 2A = BRIGHT CHROME  
7A = BRIGHT NICKEL  
2B = BLACK CHROME

ROSETTE 7008003 SUPPLIED ON REQUEST.

\* 500 TO ORDER ONLY.

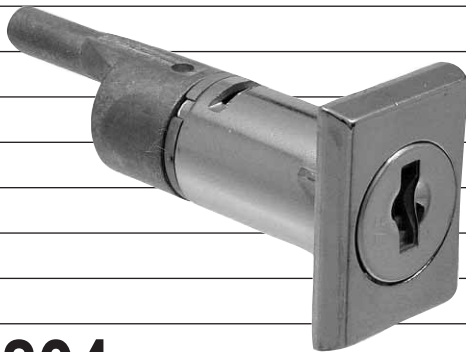
LOWE & FLETCHER LTD

MOORCROFT DRIVE, WEDNESBURY, WEST MIDLANDS, ENGLAND WS10 7DE.

TELEPHONE: 0121 505 0400. FAX: 0121 505 0420. E-MAIL: sales@lowe-and-fletcher.co.uk WEB SITE: www.lowe-and-fletcher.co.uk



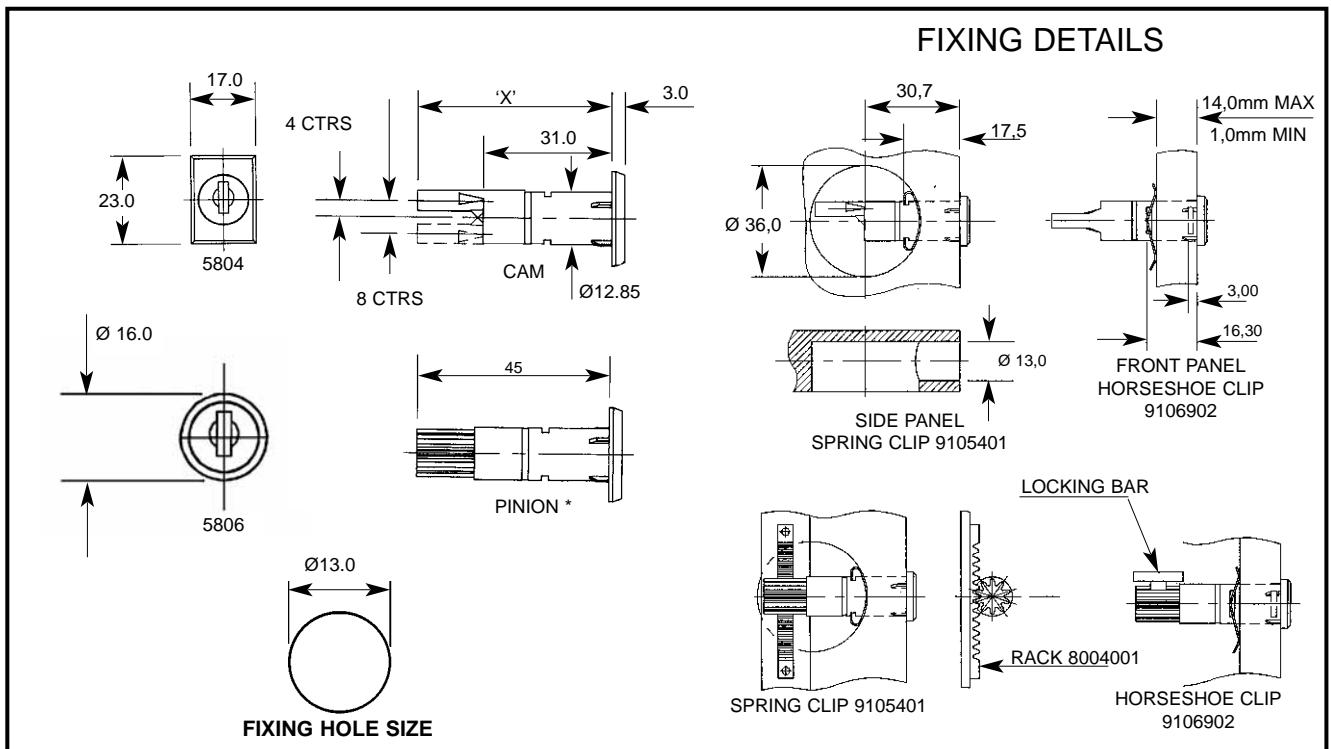
# Pedestal Locks Fixed Barrel



**5804**



**5806**



**PRODUCT REFERENCE NUMBERS**

KEY SERIES	COMBINATIONS	DIM X	LOCK TYPE
18 M	200 * 130 PINION ONLY	41mm or 47mm	5804
18 M	200 * 130 PINION ONLY	41mm or 47mm	5806

**M** = MASTER KEY SYSTEM: SUPPLIED TO ORDER ONLY

**STANDARD MOVEMENTS:** 3, 4 (CAM DRIVE)  
7 (PINION DRIVE)

**STANDARD FINISHES:** 2A = BRIGHT CHROME  
2C = SATIN CHROME  
7B = BARREL NICKEL

**LINEAR MOVEMENT OF LOCKING BAR:** 8mm (CAM DRIVE)  
30mm (PINION DRIVE 360° ROTATION)

AVAILABLE WITH LOCKING BAR SEE SECTION 12

FIXING DETAILS AND PINION OPTION APPLY TO BOTH 5804 AND 5806. PLEASE SPECIFY REQUIREMENT WHEN ORDERING

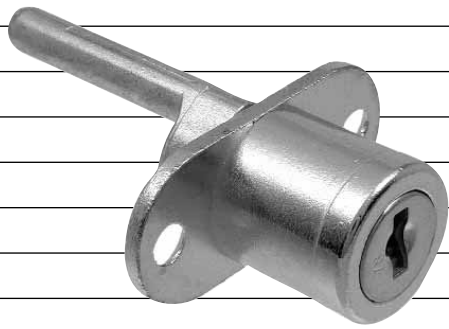
## LOWE & FLETCHER LTD

MOORCROFT DRIVE, WEDNESBURY, WEST MIDLANDS, ENGLAND WS10 7DE.

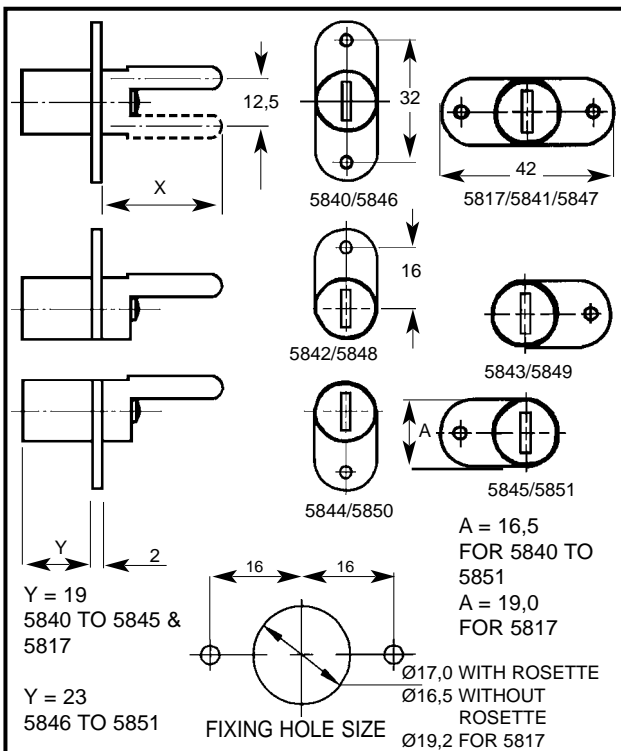
TELEPHONE: 0121 505 0400. FAX: 0121 505 0420. E-MAIL: sales@lowe-and-fletcher.co.uk WEB SITE: www.lowe-and-fletcher.co.uk

# Pedestal Lock

# Pedestal Lock Anti Tilt Fixed Barrel



## 5817/5840/5851

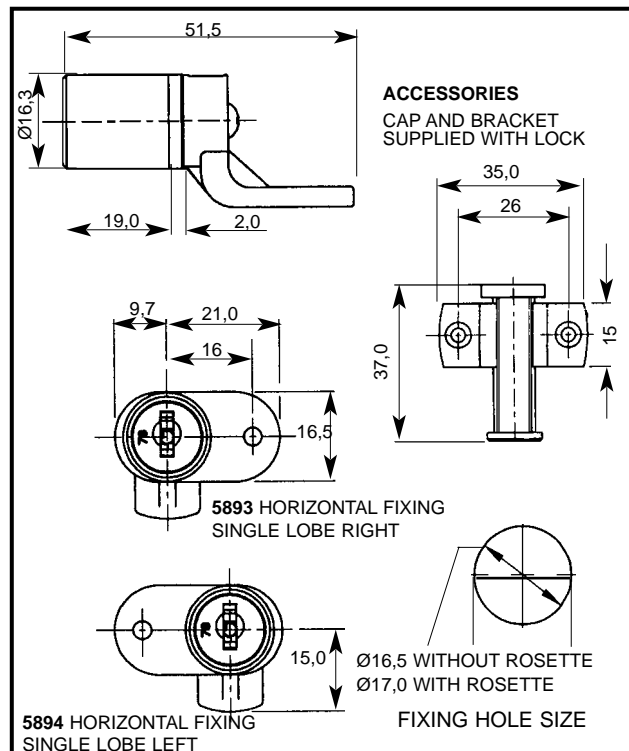


### PRODUCT REFERENCE NUMBERS

KEY SERIES	COMBINATIONS	FIXING	VERTICAL	HORIZONTAL
18	200 *	DOUBLE FLANGE	5840 5846	5841 5847 5817
		SINGLE FLANGE TOP	5842 5848	
		SINGLE FLANGE RH		5843 5849
		SINGLE FLANGE BOTTOM	5844 5850	
		SINGLE FLANGE LH		5845 5851

**M** = MASTER KEY SYSTEM: SUPPLIED TO ORDER ONLY  
 STANDARD MOVEMENTS: 3, 4  
 STANDARD FINISHES: 2A = BRIGHT CHROME, 7B = BARREL NICKEL,  
 6N = BLACK  
 ACTUATOR CAM DIMENSION X: 20mm, 25mm, 32mm, 40mm, 45mm, 55mm  
 \* 1000 TO ORDER ONLY.  
 ROSETTE SUPPLIED ON REQUEST.  
 AVAILABLE WITH LOCKING BAR SEE SECTION 12.

## 5893/94



### PRODUCT REFERENCE NUMBERS

KEY SERIES	COMBINATIONS	LOCK TYPE
18	200 *	5893
		5894

**M** = MASTER KEY SYSTEM: SUPPLIED TO ORDER ONLY  
 STANDARD MOVEMENTS: 8, 9  
 STANDARD FINISHES: 2A = BRIGHT CHROME,  
 7B = BARREL NICKEL,  
 6N = BLACK  
 ROSETTE SUPPLIED ON REQUEST.  
 \* 1000 TO ORDER ONLY.

## LOWE & FLETCHER LTD

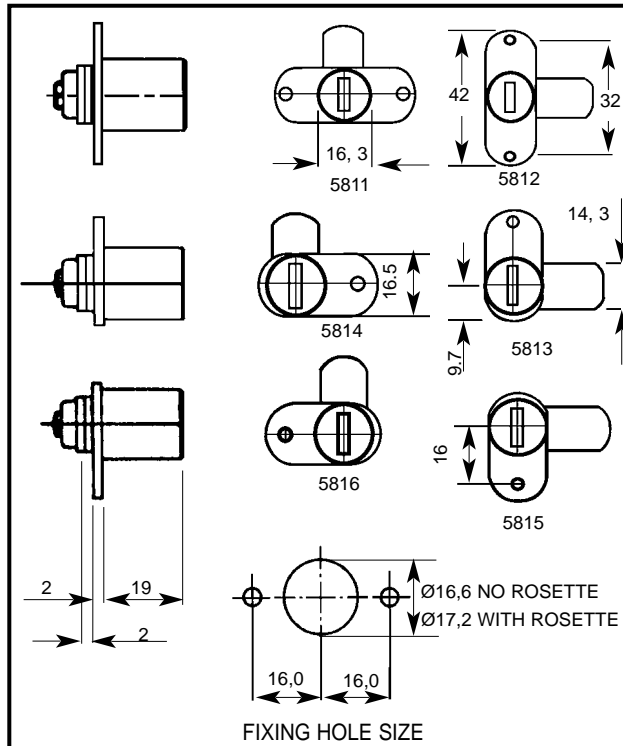
MOORCROFT DRIVE, WEDNESBURY, WEST MIDLANDS, ENGLAND WS10 7DE.  
 TELEPHONE: 0121 505 0400. FAX: 0121 505 0420. E-MAIL: sales@lowe-and-fletcher.co.uk WEB SITE: www.lowe-and-fletcher.co.uk

# Tambour Lock

## Fixed Barrel



### 5811



#### PRODUCT REFERENCE NUMBERS

KEY SERIES	COMBINATIONS	FIXING	VERTICAL	HORIZONTAL
18 M	200*	DOUBLE FLANGE	5812	5811
		SINGLE FLANGE TOP (RH)	5813	5814
		SINGLE FLANGE BOTTOM (LH)	5815	5816

M = MASTER KEY SYSTEM: SUPPLIED TO ORDER ONLY

STANDARD MOVEMENTS: 1, 2, 3, 4, 8, 9

STANDARD FINISHES: 2A = BRIGHT CHROME  
 7B = BARREL NICKEL  
 6N = BLACK

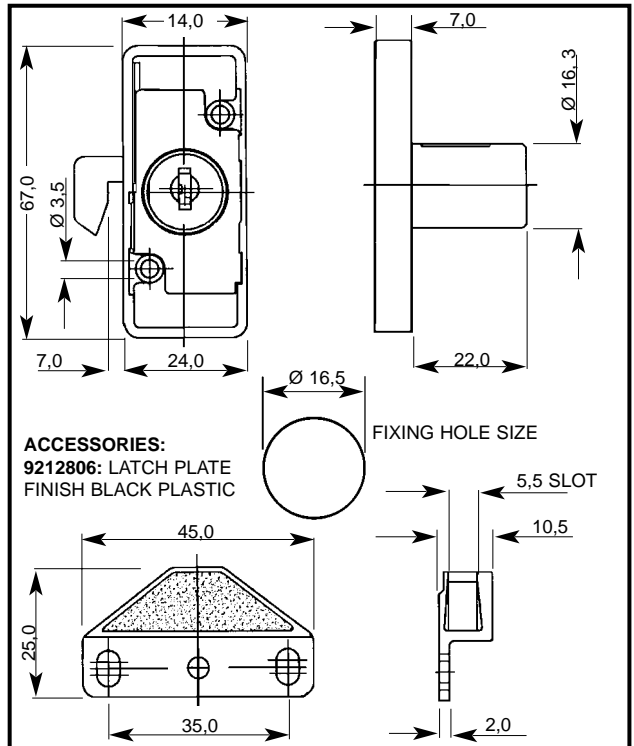
ROSETTE 7008003 SUPPLIED ON REQUEST.

\* 1000 TO ORDER ONLY

USE 'T' CAMS SPECIFIED ON PAGE 12.31



### 5897



#### PRODUCT REFERENCE NUMBERS

KEY SERIES	COMBINATIONS	LOCK TYPE
18 M	200*	5897

M = MASTER KEY SYSTEM: SUPPLIED TO ORDER ONLY

STANDARD MOVEMENTS: 8

STANDARD FINISHES: 2A = BRIGHT CHROME  
 6B = ZINC PLATE & PASSIVATE  
 6N = BLACK

ROSETTE 7008003 SUPPLIED ON REQUEST.

\* 1000 TO ORDER ONLY

## LOWE & FLETCHER LTD

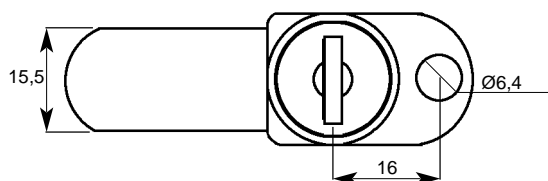
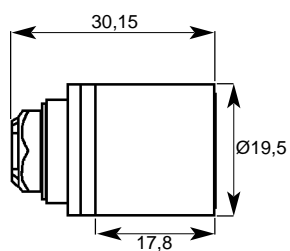
MOORCROFT DRIVE, WEDNESBURY, WEST MIDLANDS, ENGLAND WS10 7DE.

TELEPHONE: 0121 505 0400. FAX: 0121 505 0420. E-MAIL: sales@lowe-and-fletcher.co.uk WEB SITE: www.lowe-and-fletcher.co.uk

# Tambour Lock



## C260



### PRODUCT REFERENCE NUMBERS

KEY SERIES	COMBINATIONS	PRODUCT REF
K $\mathbb{M}$	200	C260

**MAXIMUM PANEL THICKNESS:** 20mm

$\mathbb{M}$  = **MASTER KEY SYSTEM:** SUPPLIED TO ORDER ONLY

**STANDARD MOVEMENT:** 01 & 02

**STANDARD FINISH:** NICKEL PLATED & ACHROLYTE

**LOWE & FLETCHER LTD**

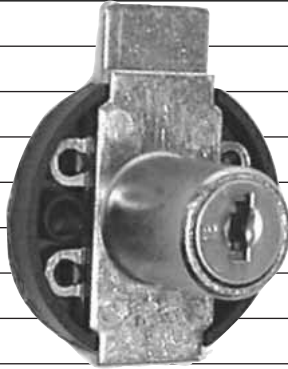
MOORCROFT DRIVE, WEDNESBURY, WEST MIDLANDS, ENGLAND WS10 7DE.

TELEPHONE: 0121 505 0400. FAX: 0121 505 0420. E-MAIL: sales@lowe-and-fletcher.co.uk WEB SITE: www.lowe-and-fletcher.co.uk

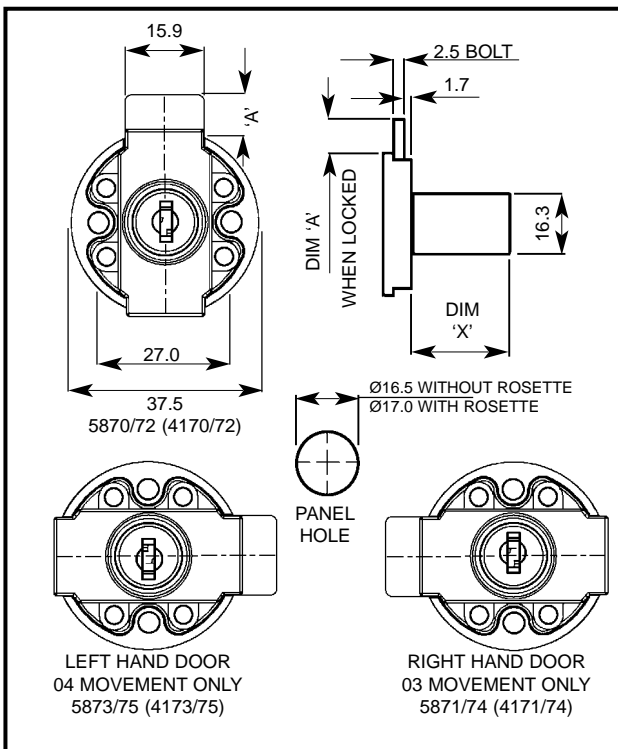
# Rim Locks

# Rim Lock

## Fixed Barrel



## 5870/4170



### PRODUT REFERENCE NUMBERS

KEY SERIES	COMBI-NATIONS	FIXING			'A' DIM	'X' DIM
		VERTI-CAL	LH	RH		
18 M	200 *	5872-3 (4172-3)	5873-4 (4173-4)	5871-3 (4171-3)	7	19
		5870-3 (4170-3)	5875-4 (4175-4)	5874-3 (4174-3)	7	25
		5872-7 (4172-7)	5873-7 (4173-7)	5871-7 (4171-7)	14	19
		5870-7 (4170-7)	5875-7 (4175-7)	5874-7 (4174-7)	14	25

M = MASTER KEY SYSTEM : SUPPLIED TO ORDER ONLY

#### STANDARD MOVEMENTS:

7 MM BOLT LENGTH = 3 VERTICAL & RH, 4 LH

14MM BOLT LENGTH = 7 VERTICAL, RH & LH

STANDARD FINISH: 6B = BRIGHT ZINC

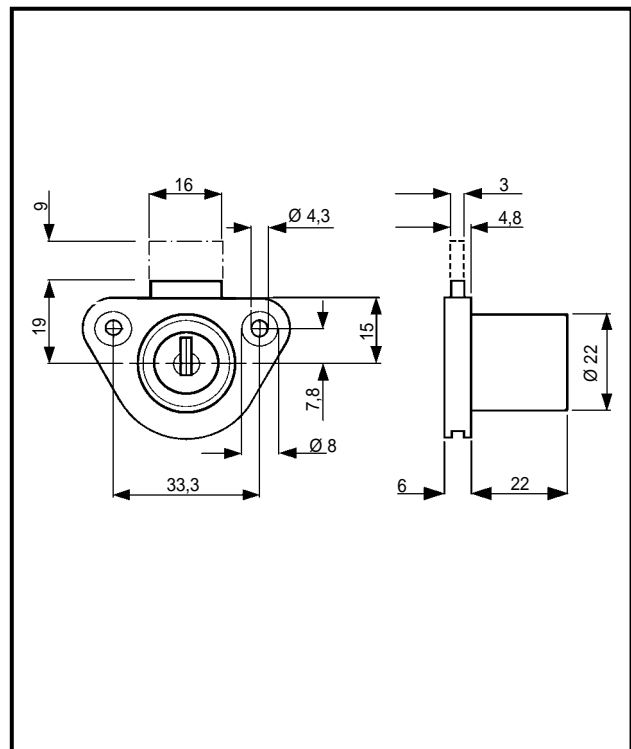
6N = BLACK ZINC

ROSETTE 7008003 SUPPLIED ON REQUEST

\* 1000 COMBINATIONS TO ORDER ONLY

REF Nos IN ( ) REFER TO LOCKS WITH BLACK PLASTIC BACK PLATE

## 5880



### PRODUT REFERENCE NUMBERS

KEY SERIES	COMBINATIONS	STANDARD 22MM NOZZEL
18 M	200 *	5880

M = MASTER KEY SYSTEM: SUPPLIED TO ORDER ONLY

STANDARD MOVEMENT: 3

STANDARD FINISH: 1B = BLACK P.P.C.  
7B = NICKEL PLATE

AVAILABLE WITH LOCKING BAR: SEE SECTION 12

ROSETTE: 7002401 SUPPLIED ON REQUEST

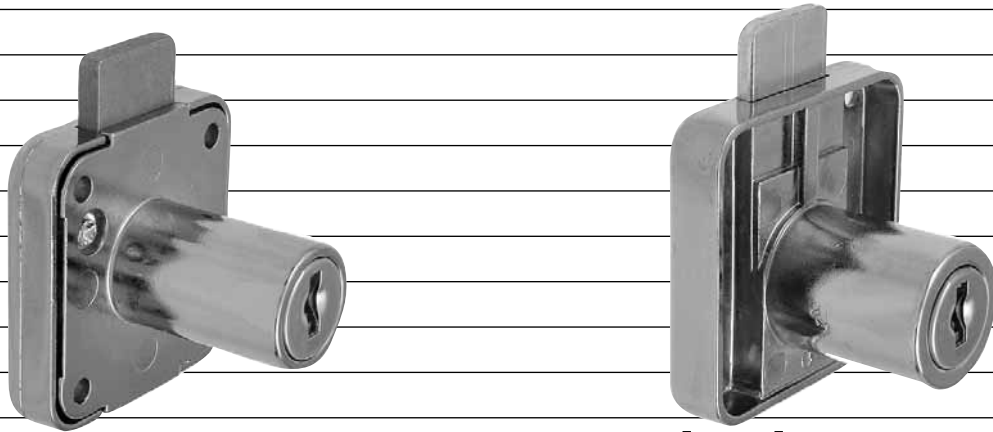
\* 1000 TO ORDER ONLY

## LOWE & FLETCHER LTD

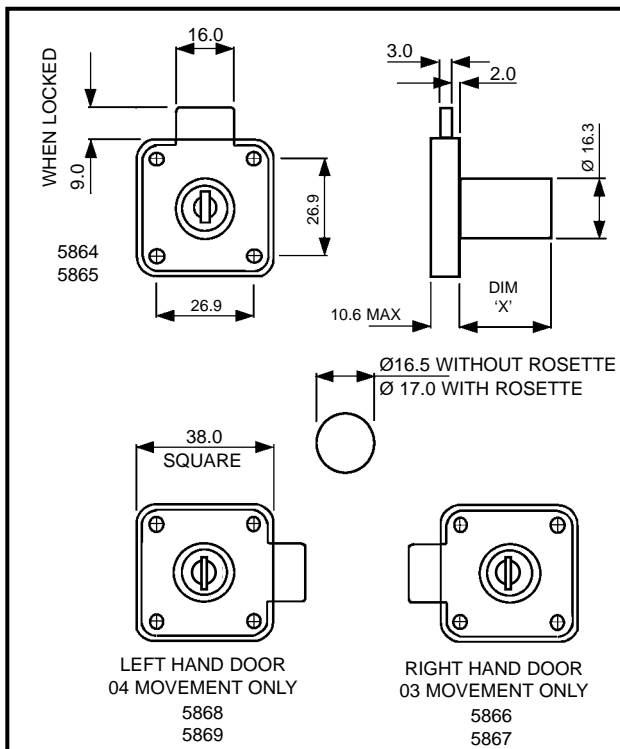
MOORCROFT DRIVE, WEDNESBURY, WEST MIDLANDS, ENGLAND WS10 7DE.

TELEPHONE: 0121 505 0400. FAX: 0121 505 0420. E-MAIL: sales@lowe-and-fletcher.co.uk WEB SITE: www.lowe-and-fletcher.co.uk

# Rim Lock Fixed Barrel



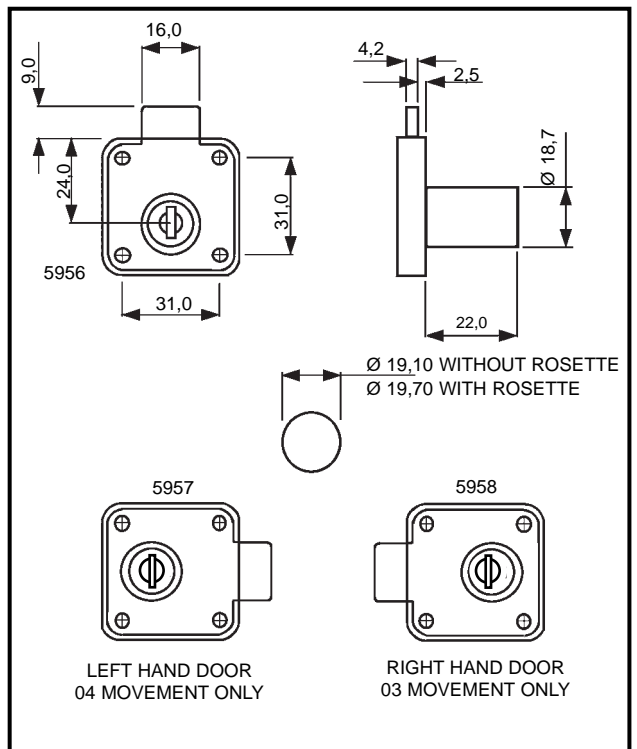
## 5864/69



PRODUCT REFERENCE NUMBERS					
KEY SERIES	COM-BINATIONS	VERTICAL	RH	LH	DIM 'X'
18 M	200 *	5864	5866	5868	25mm
		5865	5867	5869	19mm

**M** = MASTER KEY SYSTEM: SUPPLIED TO ORDER ONLY  
**STANDARD MOVEMENTS:** 3, 4  
**STANDARD FINISH:** 2A = BRIGHT CHROME  
 7A = BRIGHT NICKEL  
 2B = BLACK CHROME  
 ROSETTE 7008003 SUPPLIED ON REQUEST.  
 \* 1000 TO ORDER ONLY.

## 5956/57/58



PRODUCT REFERENCE NUMBERS				
KEY SERIES	COM-BINATIONS	LOCK TYPE		STANDARD MOVEMENTS
18 M	200 *	5956	VERTICAL	3
		5957	LH	4
		5958	RH	3

**M** = MASTER KEY SYSTEM: SUPPLIED TO ORDER ONLY  
**STANDARD MOVEMENTS:** 3, 4  
**STANDARD FINISH:** 7A = BRIGHT NICKEL  
 ROSETTE 7011401 SUPPLIED ON REQUEST.  
 \* 1000 TO ORDER ONLY.

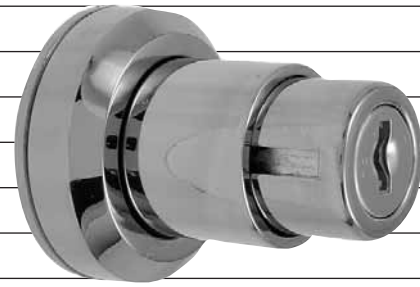
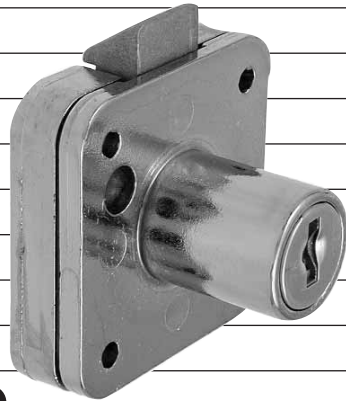
## LOWE & FLETCHER LTD

MOORCROFT DRIVE, WEDNESBURY, WEST MIDLANDS, ENGLAND WS10 7DE.  
 TELEPHONE: 0121 505 0400. FAX: 0121 505 0420. E-MAIL: sales@lowe-and-fletcher.co.uk WEB SITE: www.lowe-and-fletcher.co.uk

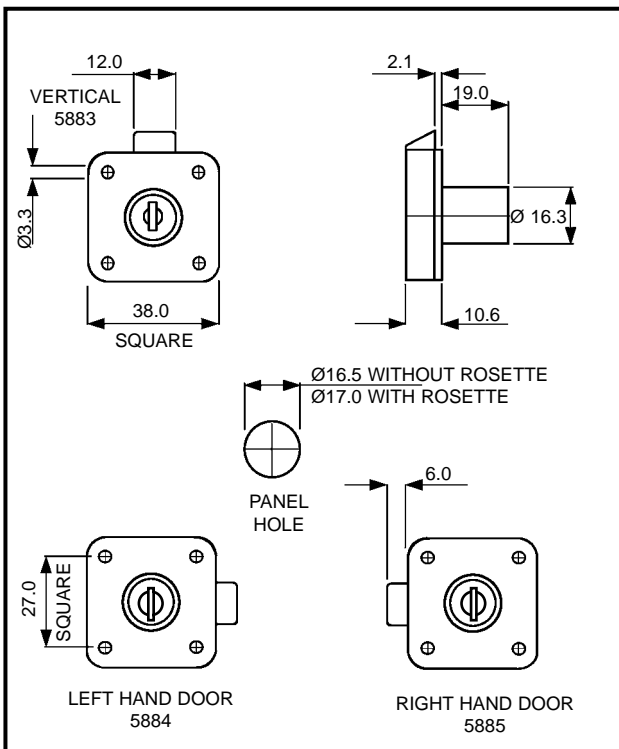
# Rim Lock (Slam Action)

# Glass Sliding Door Lock

Fixed Barrel



## 5883



### PRODUCT REFERENCE NUMBERS

KEY SERIES	COMBINATIONS	VERTICAL	LH	RH
18 M	200 *	5883	5884	5885

M = MASTER KEY SYSTEM: SUPPLIED TO ORDER ONLY

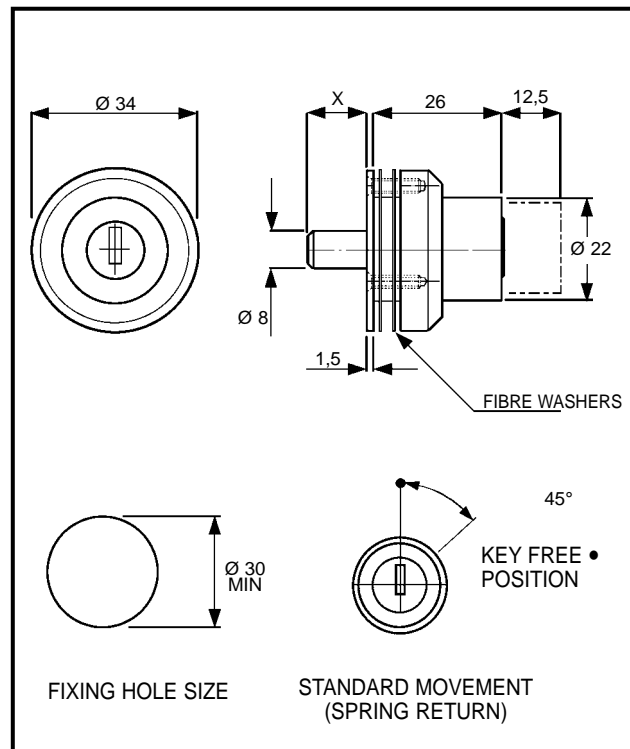
STANDARD MOVEMENTS: 0

STANDARD FINISH: 2A = BRIGHT CHROME  
2B = BLACK CHROME

ROSETTE 7008003 SUPPLIED ON REQUEST:

\* 1000 TO ORDER ONLY

## 5886



### PRODUCT REFERENCE NUMBERS

KEY SERIES	COMBINATIONS	BOLT SHOOT X = 12,5mm	BOLT SHOOT X = 10,0mm
18 M	200 *	5886	(5887)

M = MASTER KEY SYSTEM: SUPPLIED TO ORDER ONLY

STANDARD MOVEMENTS: 0 (SEE DRAWING)

STANDARD FINISH: 2A = BRIGHT CHROME

REF. No. IN ( ) INDICATES PUSH TO LOCK

THE LOCK IS SUITABLE FOR FIXING TO GLASS PANELS 3,0mm - 6,0mm THICK

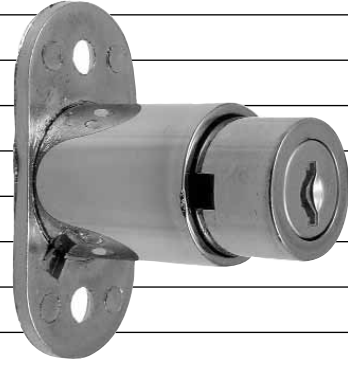
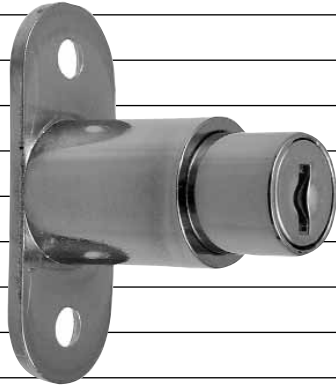
\* 1000 TO ORDER ONLY

## LOWE & FLETCHER LTD

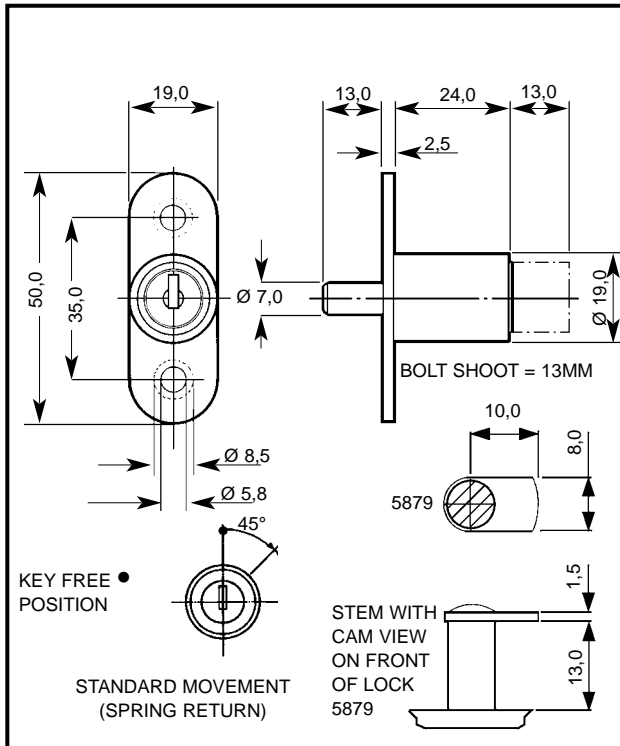
MOORCROFT DRIVE, WEDNESBURY, WEST MIDLANDS, ENGLAND WS10 7DE.

TELEPHONE: 0121 505 0400. FAX: 0121 505 0420. E-MAIL: sales@lowe-and-fletcher.co.uk WEB SITE: www.lowe-and-fletcher.co.uk

# Sliding Door Lock Fixed Barrel



## 5862/63/79

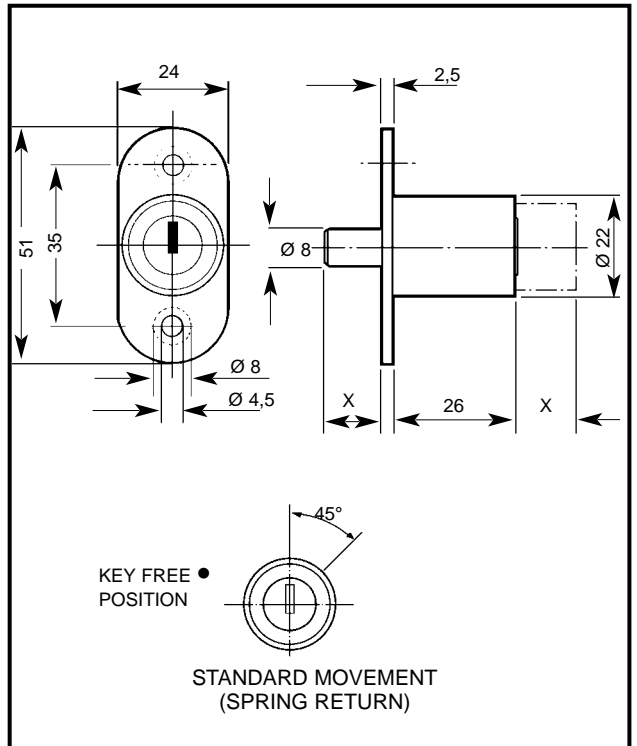


### PRODUCT REFERENCE NUMBERS

KEY SERIES	COMBINATIONS	PUSH TO LOCK	KEY TO LOCK
18 M	200 *	5862	5863
			5879 (CAM)

M = MASTER KEY SYSTEM: SUPPLIED TO ORDER ONLY  
**STANDARD MOVEMENTS:** 0 (SEE DRAWING)  
**STANDARD FINISHES:** 2A = BRIGHT CHROME  
 2B = BLACK CHROME  
 ROSETTE 7011401 SUPPLIED ON REQUEST  
 \*1000 TO ORDER ONLY.

## 5860



### PRODUCT REFERENCE NUMBERS

KEY SERIES	COMBINATIONS	BOLT SHOOT X = 12,5mm	BOLT SHOOT X = 10,0mm
STANDARD BACKPLATE 18 M	200 *	5860	(5861)

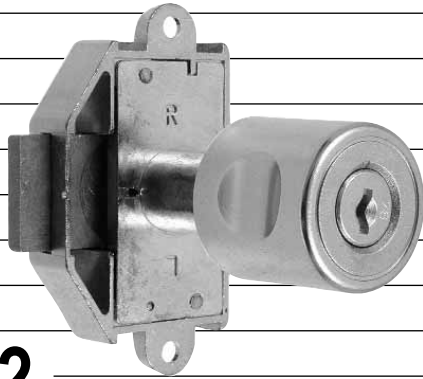
M = MASTER KEY SYSTEM: SUPPLIED TO ORDER ONLY  
**STANDARD MOVEMENTS:** 0 (SEE DRAWING)  
**STANDARD FINISH:** 2A = BRIGHT CHROME  
 2B = BLACK CHROME  
 REF. No. IN ( ) INDICATES PUSH TO LOCK  
 ROSETTE 7002401 SUPPLIED ON REQUEST.  
 \* 1000 TO ORDER ONLY.

LOWE & FLETCHER LTD

MOORCROFT DRIVE, WEDNESBURY, WEST MIDLANDS, ENGLAND WS10 7DE.  
 TELEPHONE: 0121 505 0400. FAX: 0121 505 0420. E-MAIL: sales@lowe-and-fletcher.co.uk WEB SITE: www.lowe-and-fletcher.co.uk

# Espagnolet Locking — Espagnolet Lock

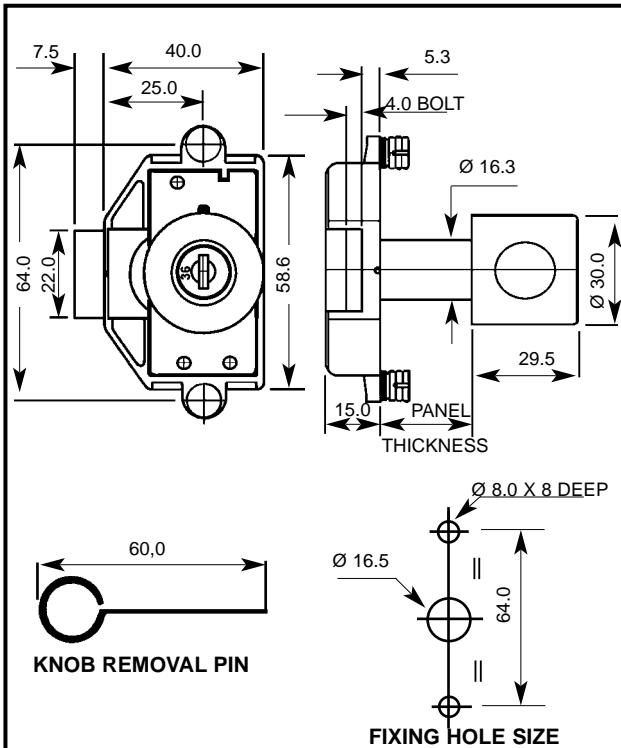
## Knobs — Fixed Barrel



### 5852



### 5809/5810



#### PRODUCT REFERENCE NUMBERS

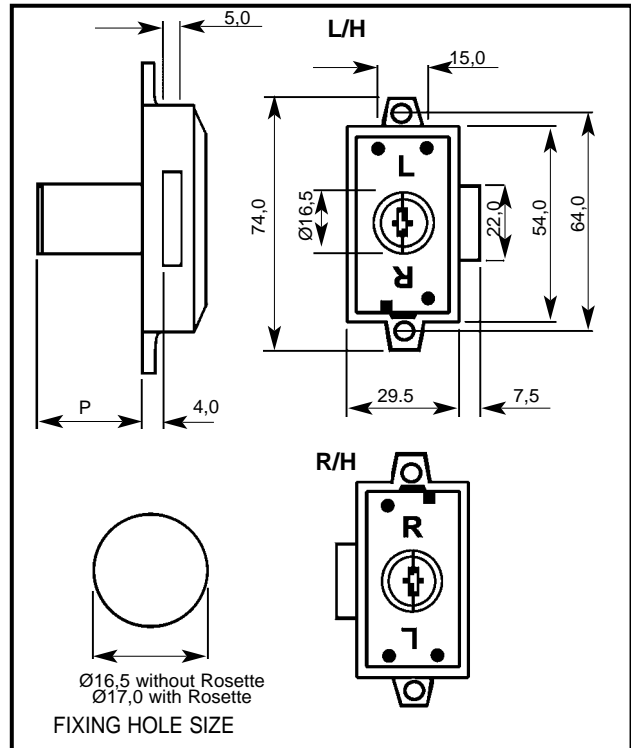
KEY SERIES	COMBINATIONS	HAND	PANEL THICKNESS		KNOB MOVEMENT
			25MM	19MM	
18 M	200*	RH DOOR	5852	5854	1 (90° CW)
		LH DOOR	5853	5855	2 (90° ACW)

**M** = MASTER KEY SYSTEM: SUPPLIED TO ORDER ONLY  
**STANDARD MOVEMENTS:** 1 (RH), 2 (LH)  
**KEY MOVEMENTS:** 3 (RH), 4 (LH)  
**STANDARD KNOB FINISH:** 7S = SATIN NICKEL  
 2B = BLACK.

OTHER FINISHES AVAILABLE DEPENDING ON ORDER QUANTITY.

KNOB REMOVAL PIN 9103401 SUPPLIED ON REQUEST.

\* 1000 TO ORDER ONLY.



#### PRODUCT REFERENCE NUMBERS

KEY SERIES	COMBINATIONS	ASSEMBLY NO.		"P"
		RH	LH	
18 M	200*	5809	5810	25MM
		5838	5839	19MM

**M** = MASTER KEY SYSTEM: SUPPLIED TO ORDER ONLY

**STANDARD MOVEMENTS:** RH = 3, LH = 4  
**STANDARD FINISHES:** 7B = NICKEL BARREL  
 6N = BLACK

ROSETTE 7008003 SUPPLIED ON REQUEST.  
 ACCESSORY KIT - 4131 SEE PAGE 12.55.  
 THIS PRODUCT CAN BE SUPPLIED WITH DOWELS AND SCREWS.

\* 1000 TO ORDER ONLY

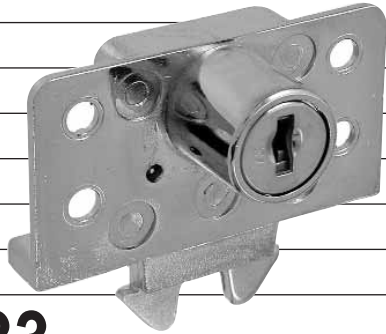
## LOWE & FLETCHER LTD

MOORCROFT DRIVE, WEDNESBURY, WEST MIDLANDS, ENGLAND WS10 7DE.  
 TELEPHONE: 0121 505 0400. FAX: 0121 505 0420. E-MAIL: sales@lowe-and-fletcher.co.uk WEB SITE: www.lowe-and-fletcher.co.uk

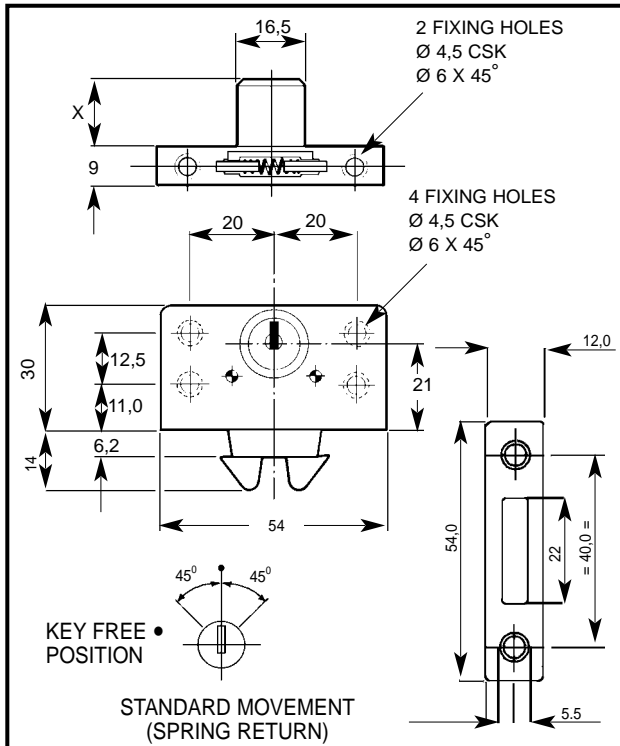
# Sliding Door Lock — Knob Operated

(Claw Bolt) Fixed Barrel

(Claw Bolt)



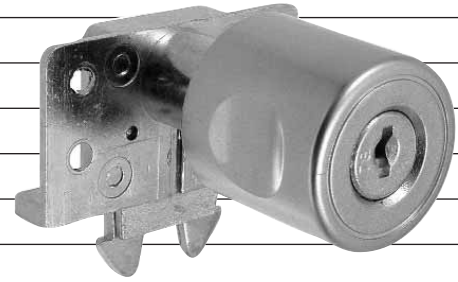
## 5833



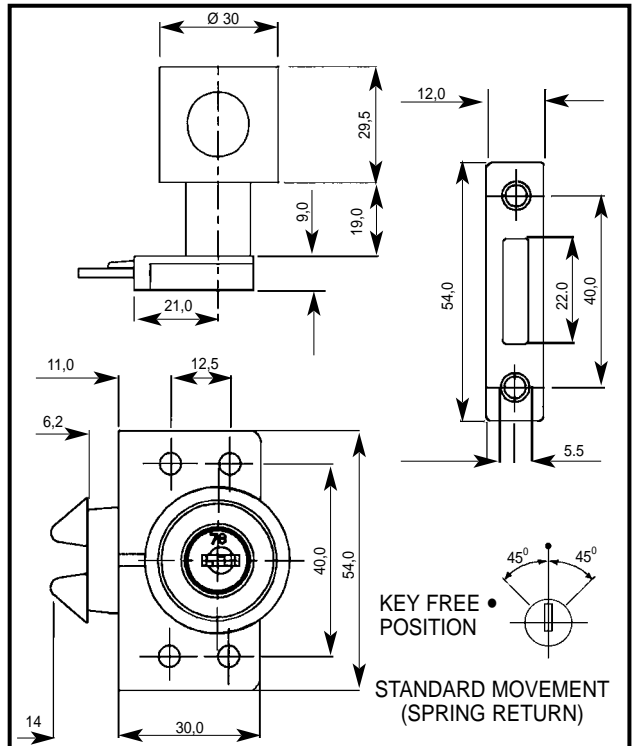
### PRODUCT REFERENCE NUMBERS

KEY SERIES	COMBINATIONS	DIM X 16mm	DIM X 22,0mm
18 M	200 *	5833	5834

**M = MASTER KEY SYSTEM:** SUPPLIED TO ORDER ONLY  
**STANDARD MOVEMENTS:** 0 (SEE DRAWING)  
**STANDARD FINISH:** 2A = BRIGHT CHROME  
 2B = BLACK CHROME  
 ROSETTE 7008003 AND STRIKING PLATE 7012401 SUPPLIED ON REQUEST.  
 \* 1000 TO ORDER ONLY.



## 5819



### PRODUCT REFERENCE NUMBERS

KEY SERIES	COMBINATIONS	LOCK TYPE
18 M	200 *	5819

**M = MASTER KEY SYSTEM:** SUPPLIED TO ORDER ONLY  
**STANDARD MOVEMENTS:** 0  
**STANDARD PLASTIC SLEEVE FINISH:** 7S=SATIN NICKEL  
 STRIKING PLATE 7012401 SUPPLIED ON REQUEST.  
 \* 1000 TO ORDER ONLY.

LOWE & FLETCHER LTD

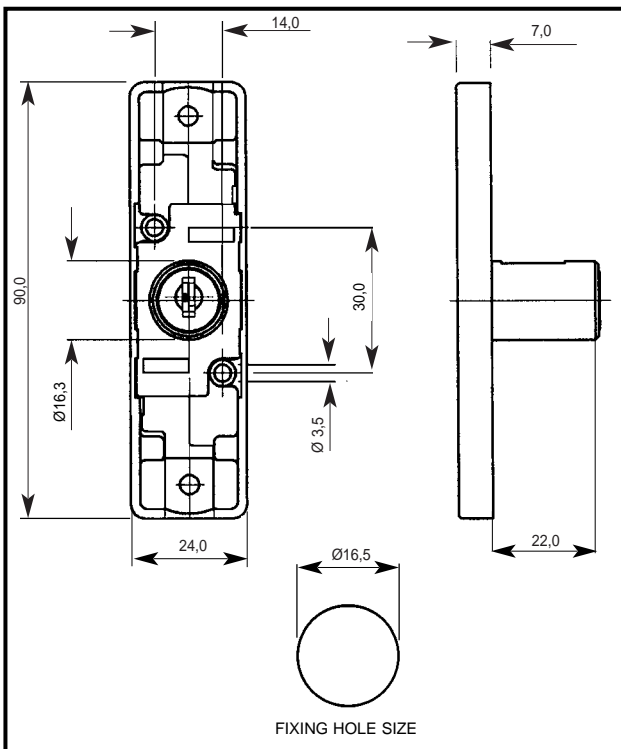
MOORCROFT DRIVE, WEDNESBURY, WEST MIDLANDS, ENGLAND WS10 7DE.  
 TELEPHONE: 0121 505 0400. FAX: 0121 505 0420. E-MAIL: sales@lowe-and-fletcher.co.uk WEB SITE: www.lowe-and-fletcher.co.uk

# Multi-Point Lock

Fixed Barrel



## 5888



### PRODUCT REFERENCE NUMBERS

KEY SERIES	COMBINATIONS	LOCK TYPE
78 M	200 *	5888

M = MASTER KEY SYSTEM: SUPPLIED TO ORDER ONLY

STANDARD MOVEMENTS: 3

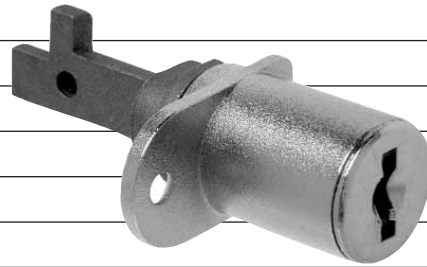
STANDARD FINISHES: 6B = ZINC PLATE AND PASSIVATE  
ROSETTE 7008003 SUPPLIED ON REQUEST.

THIS MULTI POINT LOCK SYSTEM REQUIRES ACCESSORIES, SEE PAGE 12.55.

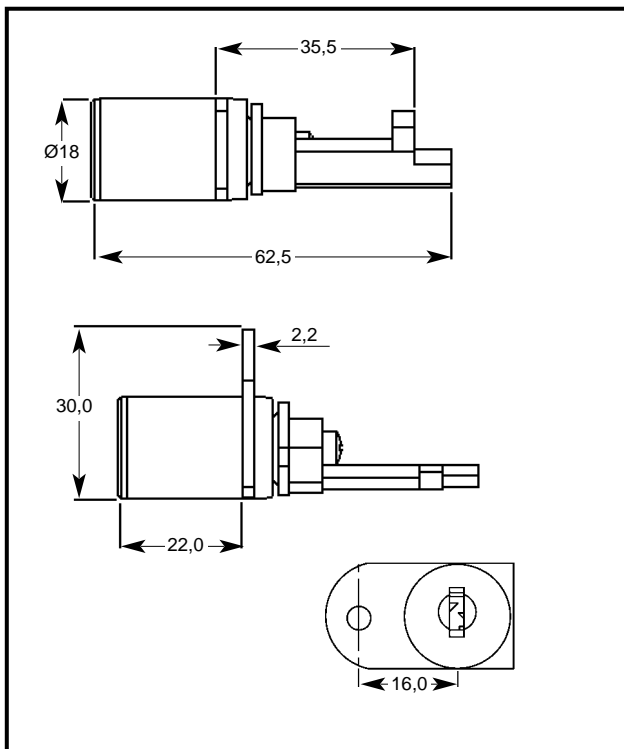
\* 1000 TO ORDER ONLY.

# Pedestal Lock

Fixed Barrel



## B920



### PRODUCT REFERENCE NUMBERS

KEY SERIES	COMBINATIONS	FIXING	HORIZONTAL
25 - 27 M	2000	SINGLE SUPPORT LH	B920

M = MASTER KEY SYSTEM: SUPPLIED TO ORDER ONLY

STANDARD MOVEMENTS: 3

STANDARD FINISHES: BRIGHT NICKEL

ALL CAMS FOR PEDESTAL LOCKS CAN BE FITTED ON THIS LOCK.

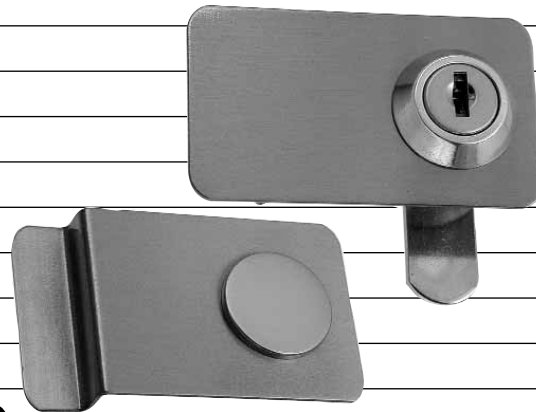
THE CAM OF THIS LOCK SUITS TO THE HUWIL SVS3 ANTI-TILT SYSTEM.

LOWE & FLETCHER LTD

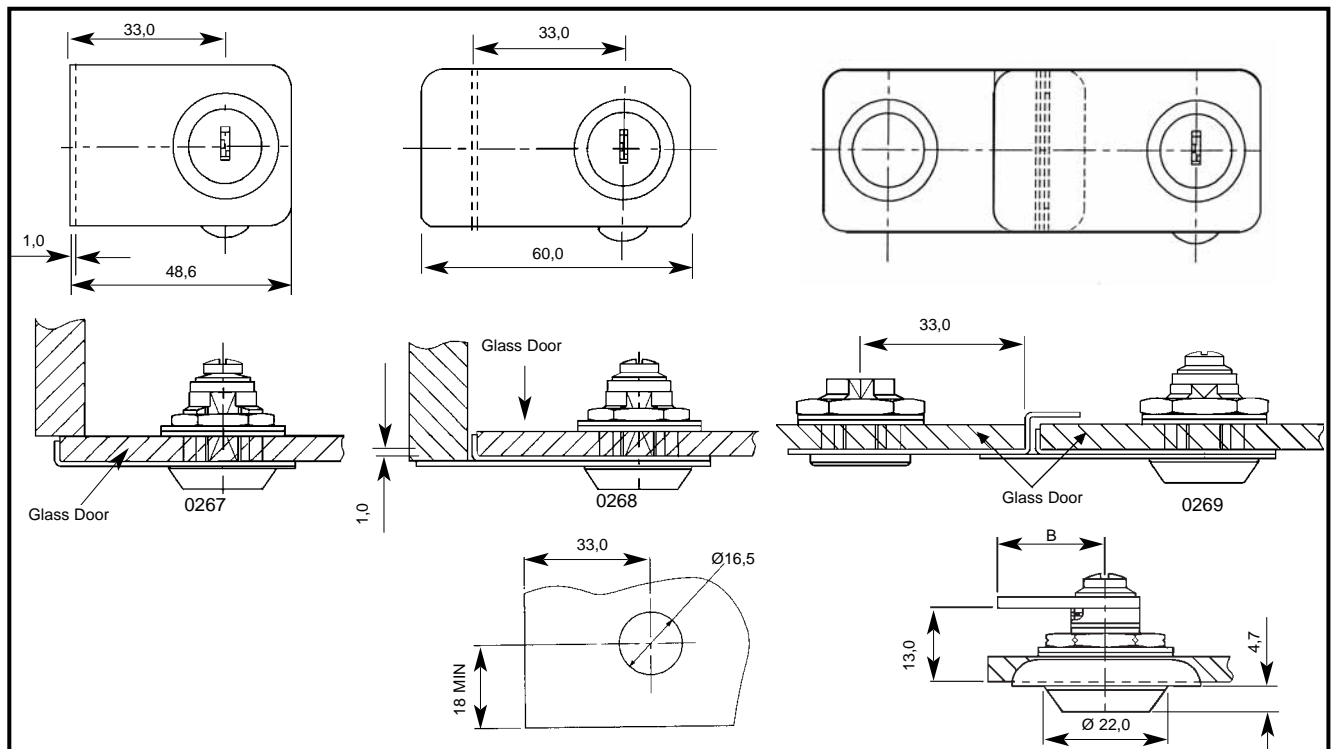
MOORCROFT DRIVE, WEDNESBURY, WEST MIDLANDS, ENGLAND WS10 7DE.

TELEPHONE: 0121 505 0400. FAX: 0121 505 0420. E-MAIL: sales@lowe-and-fletcher.co.uk WEB SITE: www.lowe-and-fletcher.co.uk

# Glass Door Lock Fixed Barrel



## 0267/0268/0269



### PRODUCT REFERENCE NUMBERS

KEY SERIES	COMBINATIONS	LOCK TYPE	APPLICATION
800	100*	0267	SINGLE DOOR - BUTT
		0268	SINGLE DOOR - FLUSH
		0269	DOUBLE DOOR

**MAXIMUM GLASS THICKNESS = 6MM**

**STANDARD MOVEMENTS: 1**

**STANDARD FINISH:** 7B = BARREL NICKEL

8A = BRASS FINISH

2B = BLACK CHROME

\* 200 TO ORDER ONLY

**LOWE & FLETCHER LTD**

MOORCROFT DRIVE, WEDNESBURY, WEST MIDLANDS, ENGLAND WS10 7DE.

TELEPHONE: 0121 505 0400. FAX: 0121 505 0420. E-MAIL: sales@lowe-and-fletcher.co.uk WEB SITE: www.lowe-and-fletcher.co.uk