

## Plug - PP-H 4/ 1-M GNYE - 3211971

Please be informed that the data shown in this PDF Document is generated from our Online Catalog. Please find the complete data in the user's documentation. Our General Terms of Use for Downloads are valid (<http://phoenixcontact.com/download>)



Plug, Connection method: Push-in / plug connection, Number of connections: 1, Number of positions: 1, Cross section: 0.2 mm<sup>2</sup> - 6 mm<sup>2</sup>, AWG: 24 - 10, Width: 6.2 mm, Height: 42.3 mm, Color: green-yellow

Image shows PP-H 6/... version

### Why buy this product

- Large-surface labeling option
- The Push-in technology COMBI plugs for self-assembly provide solutions that users can implement themselves
- Tested for railway applications



### Key Commercial Data

|                                      |                                |
|--------------------------------------|--------------------------------|
| Packing unit                         | 50 STK                         |
| Minimum order quantity               | 50 STK                         |
| GTIN                                 |                                |
| GTIN                                 | 4046356482998                  |
| Weight per Piece (excluding packing) | 4.540 g                        |
| Custom tariff number                 | 85366990                       |
| Country of origin                    | Poland                         |
| Note                                 | Made to Order (non-returnable) |

### Technical data

#### General

|  |                   |
|--|-------------------|
| Number of positions                    | 1                 |
| Number of levels                       | 1                 |
| Number of connections                  | 1                 |
| Potentials                             | 1                 |
| Nominal cross section                  | 4 mm <sup>2</sup> |
| Color                                  | green-yellow      |
| Insulating material                    | PA                |
| Flammability rating according to UL 94 | V0                |

# Plug - PP-H 4/ 1-M GNYE - 3211971

## Technical data

### General

|   |   |
|---|---|
| Area of application   | Railway industry                                      |
|   | Machine building                                      |
|   | Plant engineering                                     |
| Rated surge voltage   | 8 kV  |
| Degree of pollution   | 3   |
| Overvoltage category  | III   |
| Insulating material group   | I   |
| Maximum power dissipation for nominal condition                         | 1.02 W  |
| Maximum load current  | 32 A (with 6 mm <sup>2</sup> conductor cross section) |
| Nominal current I <sub>N</sub>  | 32 A  |
| Nominal voltage U <sub>N</sub>  | 800 V   |
| Open side panel   | Yes   |
| Relative insulation material temperature index (Elec., UL 746 B)        | 130 °C  |
| Temperature index of insulation material (DIN EN 60216-1 (VDE 0304-21)) | 130 °C  |
| Static insulating material application in cold                          | -60 °C  |
| Behavior in fire for rail vehicles (DIN 5510-2)                         | Test passed   |
| Flame test method (DIN EN 60695-11-10)                                  | V0  |
| Oxygen index (DIN EN ISO 4589-2)  | >32 %   |
| NF F16-101, NF F10-102 Class I  | 2   |
| NF F16-101, NF F10-102 Class F  | 2   |
| Surface flammability NFPA 130 (ASTM E 162)                              | passed  |
| Specific optical density of smoke NFPA 130 (ASTM E 662)                 | passed  |
| Smoke gas toxicity NFPA 130 (SMP 800C)                                  | passed  |
| Calorimetric heat release NFPA 130 (ASTM E 1354)                        | 28 MJ/kg  |
| Fire protection for rail vehicles (DIN EN 45545-2) R22                  | HL 1 - HL 3   |
| Fire protection for rail vehicles (DIN EN 45545-2) R23                  | HL 1 - HL 3   |
| Fire protection for rail vehicles (DIN EN 45545-2) R24                  | HL 1 - HL 3   |
| Fire protection for rail vehicles (DIN EN 45545-2) R26                  | HL 1 - HL 3   |

### Dimensions

|        |         |
|--------|---------|
| Width  | 6.2 mm  |
| Length | 21 mm   |
| Height | 42.3 mm |
|        | 24 mm   |
| Pitch  | 6.2 mm  |

### Connection data

|                                    |                           |
|------------------------------------|---------------------------|
| Connection method                  | Push-in / plug connection |
| Connection in acc. with standard   | IEC 61984                 |
| Conductor cross section solid min. | 0.2 mm <sup>2</sup>       |
| Conductor cross section solid max. | 6 mm <sup>2</sup>         |

# Plug - PP-H 4/ 1-M GNYE - 3211971

## Technical data

### Connection data

|   |                      |
|---|----------------------|
| Conductor cross section AWG min.  | 24                   |
| Conductor cross section AWG max.  | 10                   |
| Conductor cross section flexible min.   | 0.2 mm <sup>2</sup>  |
| Conductor cross section flexible max.   | 4 mm <sup>2</sup>    |
| Min. AWG conductor cross section, flexible  | 24                   |
| Max. AWG conductor cross section, flexible  | 12                   |
| Conductor cross section flexible, with ferrule without plastic sleeve min.              | 0.25 mm <sup>2</sup> |
| Conductor cross section flexible, with ferrule without plastic sleeve max.              | 4 mm <sup>2</sup>    |
| Conductor cross section flexible, with ferrule with plastic sleeve min.                 | 0.25 mm <sup>2</sup> |
| Conductor cross section flexible, with ferrule with plastic sleeve max.                 | 4 mm <sup>2</sup>    |
| 2 conductors with same cross section, stranded, TWIN ferrules with plastic sleeve, min. | 0.5 mm <sup>2</sup>  |
| 2 conductors with same cross section, stranded, TWIN ferrules with plastic sleeve, max. | 1 mm <sup>2</sup>    |
| Stripping length  | 10 mm ... 12 mm      |
| Internal cylindrical gage   | A4                   |

### Standards and Regulations

|  |           |
|--|-----------|
| Connection in acc. with standard       | CUL       |
|  | IEC 61984 |
| Flammability rating according to UL 94 | V0        |

### Environmental Product Compliance

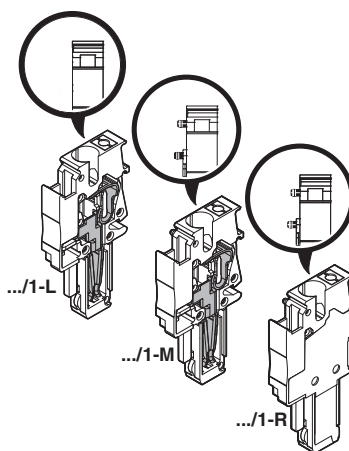
|            |   |
|------------|---|
| China RoHS | Environmentally friendly use period: unlimited = EFUP-e |
|            | No hazardous substances above threshold values          |

## Drawings

Circuit diagram



Schematic diagram



# Plug - PP-H 4/ 1-M GNYE - 3211971

## Approvals

### Approvals

#### Approvals

UL Recognized / cUL Recognized / EAC / BV / cULus Recognized

#### Ex Approvals

### Approval details

|                            |  |   |              |
|----------------------------|--|---|--------------|
| UL Recognized              |  | <a href="http://database.ul.com/cgi-bin/XYV/template/LISEXT/1FRAME/index.htm">http://database.ul.com/cgi-bin/XYV/template/LISEXT/1FRAME/index.htm</a> | FILE E 60425 |
|                            |  | B   | C            |
| mm <sup>2</sup> /AWG/kcmil |  | 24-10   | 24-10        |
| Nominal current IN         |  | 28 A  | 28 A         |
| Nominal voltage UN         |  | 600 V   | 600 V        |

|                            |  |   |              |
|----------------------------|--|---|--------------|
| cUL Recognized             |  | <a href="http://database.ul.com/cgi-bin/XYV/template/LISEXT/1FRAME/index.htm">http://database.ul.com/cgi-bin/XYV/template/LISEXT/1FRAME/index.htm</a> | FILE E 60425 |
|                            |  | B   | C            |
| mm <sup>2</sup> /AWG/kcmil |  | 24-10   | 24-10        |
| Nominal current IN         |  | 28 A  | 28 A         |
| Nominal voltage UN         |  | 600 V   | 600 V        |

|     |  |  |                     |
|-----|--|--|---------------------|
| EAC |  |  | 7500651.22.01.00246 |
|-----|--|--|---------------------|

|    |  |   |             |
|----|--|---|-------------|
| BV |  | <a href="http://www.veristar.com/portal/veristarinfo/generalinfo/approved/approvedProducts/equipmentAndMaterials">http://www.veristar.com/portal/veristarinfo/generalinfo/approved/approvedProducts/equipmentAndMaterials</a> | 39979/A0 BV |
|----|--|---|-------------|

|                  |  |   |  |
|------------------|--|---|--|
| cULus Recognized |  | <a href="http://database.ul.com/cgi-bin/XYV/template/LISEXT/1FRAME/index.htm">http://database.ul.com/cgi-bin/XYV/template/LISEXT/1FRAME/index.htm</a> |  |
|------------------|--|---|--|