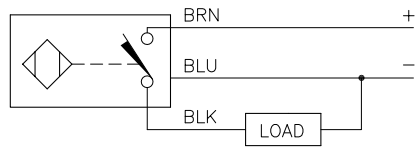


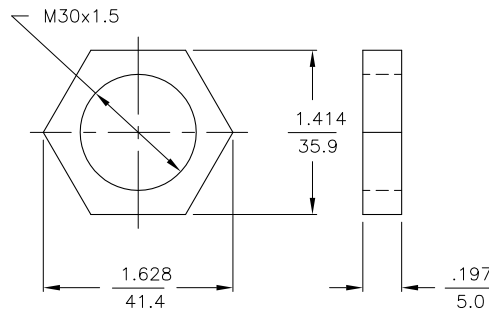
WIRING DIAGRAMS



OUTPUT: AP6X

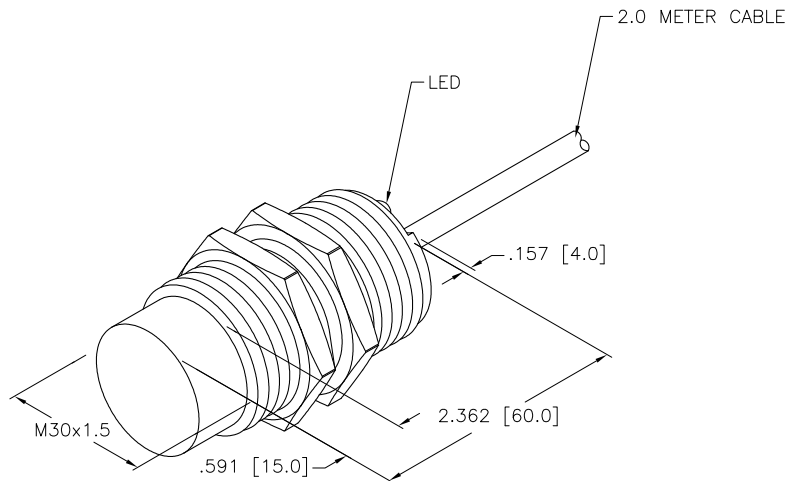
SHORT-CIRCUIT AND OVERLOAD PROTECTED

LOCKNUT LN-M30



SPECIFICATIONS

| | |
|------------------------------|---|
| RATED OPERATING DISTANCE | 15mm = .591" |
| MOUNTING MODE | NON-FLUSH |
| MIN. REPEAT ACCURACY | ≤ 2% |
| TEMPERATURE DRIFT | ≤ ±10% |
| HYSTERESIS | 3-15% |
| OPERATING TEMPERATURE | -25°C to +70°C (-13°F to +158°F) |
| RATED OPERATIONAL VOLTAGE | 10-30 VDC |
| RESIDUAL RIPPLE | ≤ 10% |
| DC RATED OPERATIONAL CURRENT | ≤ 200 mA |
| NO-LOAD CURRENT | ≤ 15 mA |
| RESIDUAL CURRENT | ≤ 0.1 mA |
| RATED INSULATION VOLTAGE | ≤ 0.5 kV |
| SHORT-CIRCUIT PROTECTION | YES |
| MAX. VOLTAGE DROP | ≤ 1.8 V |
| WIRE BREAKAGE PROTECTION | INCORPORATED |
| REVERSE POLARITY PROTECTION | INCORPORATED |
| OUTPUT FUNCTION | 3-WIRE, NORMALLY OPEN, PNP |
| MAX. SWITCHING FREQUENCY | ≤ 0.5 kHz |
| HOUSING MATERIAL | METAL, BRASS/CHROME-PLATED |
| ACTIVE FACE MATERIAL | PLASTIC, LCP-GF30 |
| END CAP MATERIAL | PLASTIC, TROGAMID-T |
| CABLE | ∅5.2, PVC |
| VIBRATION RESISTANCE | 55 Hz, 1 mm AMPLITUDE (IN ALL 3 PLANES) |
| SHOCK RESISTANCE | 30 g, 11 ms |
| DEGREE OF PROTECTION | IP67 |
| SWITCHING STATUS INDICATION | LED, YELLOW |



NOTE
PRELIMINARY
SPECIFICATIONS

SOURCE DRAWING - FOR REFERENCE ONLY

| | | | | | | | | | |
|-------------------|--|---|--|---|--|---|--|---|--|
| RELATED DOCUMENTS | | 3RD ANGLE PROJECTION | | THIS DRAWING IS PROPERTY OF TURCK INC. USE OF THIS DOCUMENT WITHOUT WRITTEN PERMISSION IS PROHIBITED. | | High Technology Sensors and Automation Controls | | 3000 CAMPUS DRIVE MINNEAPOLIS, MN 55441 1-800-544-7769 (763) 553-7300 (763) 553-0708 fax turck.com | |
| 1. | | | | DRFT SMW | | DATE 3/18/87 | | DESCRIPTION N115-G30-AP6X | |
| 2. | | | | DSGN | | SCALE 1=1.5 | | | |
| 3. | | ALL DIMENSIONS DISPLAYED ON THIS DRAWING ARE FOR REFERENCE ONLY | | UNIT OF MEASUREMENT INCH [MILLIMETER] | | IDENTIFICATION NO. T4647600 | | REV C | |
| 4. | | | | | | | | | |
| MATERIAL | | CONTACT TURCK FOR MORE INFORMATION | | DO NOT SCALE THIS DRAWING | | FILE: T4647600 | | SHEET 1 OF 1 | |
| FINISH | | | | | | | | | |

| | | | | |
|-----|---------------------------|-----|--------|---------|
| C | SEE REVISION DOC. 4647600 | SWC | 8/1/94 | |
| REV | DESCRIPTION | BY | DATE | ECO NO. |