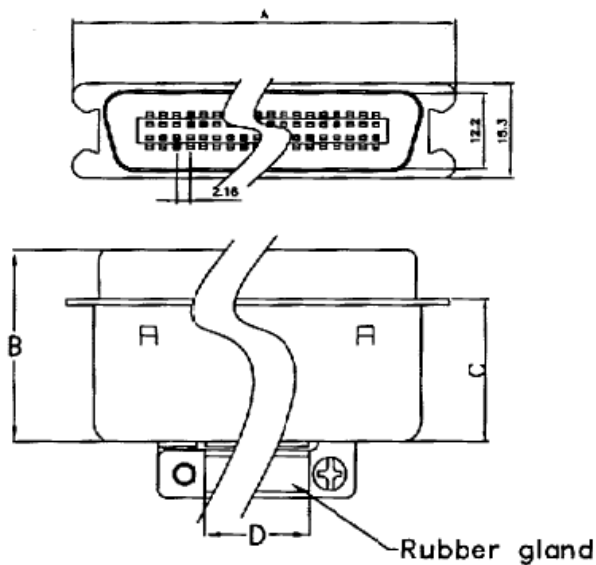


Datasheet

IEEE 448 14 WAY Cable Mount Plug

RS Stock number [239-1190](#)



| POSITION | A | B | C | D |
|----------|------|------|------|------|
| 14F | 37.8 | 41.0 | 21.4 | 7.6 |
| 24F | 48.6 | 41.4 | 21.0 | 11.3 |
| 36F | 61.6 | 42.4 | 23.0 | 16.8 |
| 50F | 76.7 | 45.0 | 25.4 | 19 |

Specifications:

| | |
|------------------------|---|
| Insulator: | PBT UL94V-0 |
| Shell: | Steel, nickel over copper plated |
| Contacts: | Brass alloy gold plated on contact tin plated on terminal |
| Hood: | Steel |
| Rating current: | 1A |
| Contact resistance: | <25m Ohm |
| Insulation resistance: | >1000m ohm at 500V |
| Operating temp: | -55°C to +105°C |