

RedyKit for the ADP2504 Buck-Boost Converter

FEATURES

All-voltage option for evaluation

Surface-mount ADP2504 parts that can be easily soldered

Additional parts for prototyping

ADP2504CPZ-REDYKIT CONTENTS

1 each ADP2504-2.8-EVALZ evaluation board V_{OUT} 2.8 V

1 each ADP2504-5.0-EVALZ evaluation board V_{OUT} 5.0 V

3 each ADP2504 voltage options in a labeled bag



Figure 1. RedyKit Package

GENERAL DESCRIPTION

The ADP2504CPZ-RedyKit allows simplified prototyping and evaluation and is available for every standard fixed output voltage option in the ADP2504 product family. The kit allows the user to evaluate the voltage options with one easy to order kit.

All surface-mount ADP2504 parts come sorted and stored in the kit with the Analog Devices, Inc., part number and fixed output voltage clearly printed on each zip-top bag (see Figure 5).

The kit can be used in the engineering lab to evaluate required voltage options. If other voltage options must be evaluated, a different part from the kit can be easily soldered onto one of the evaluation boards supplied with the kit.

The ADP2504CPZ-RedyKit is available with fixed 2.8 V and 5.0 V evaluation boards. The kit also contains additional parts for prototyping. The kit enclosure, which contains individually packaged parts and the two evaluation boards, is packaged in an ESD foam pad inside a treated cardboard box that measures 8.7" (L) × 7.9" (W) × 1.75" (H), that is, 22 cm (L) × 20 cm (W) × 4.5 cm (H).

The ADP2504 evaluation board data sheet, EVAL-ADP2503/ADP2504, can be found at www.analog.com.

TYPICAL APPLICATION CIRCUIT

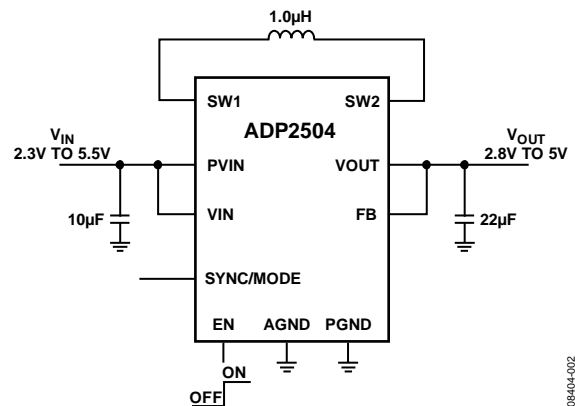


Figure 2.

EVALUATION BOARD SCHEMATIC AND LAYOUT

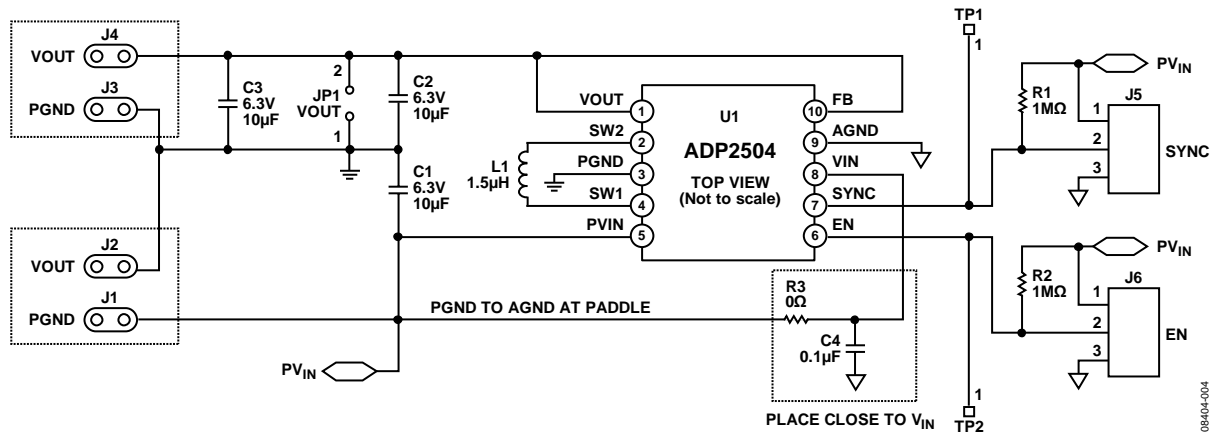


Figure 3. Evaluation Board Schematic

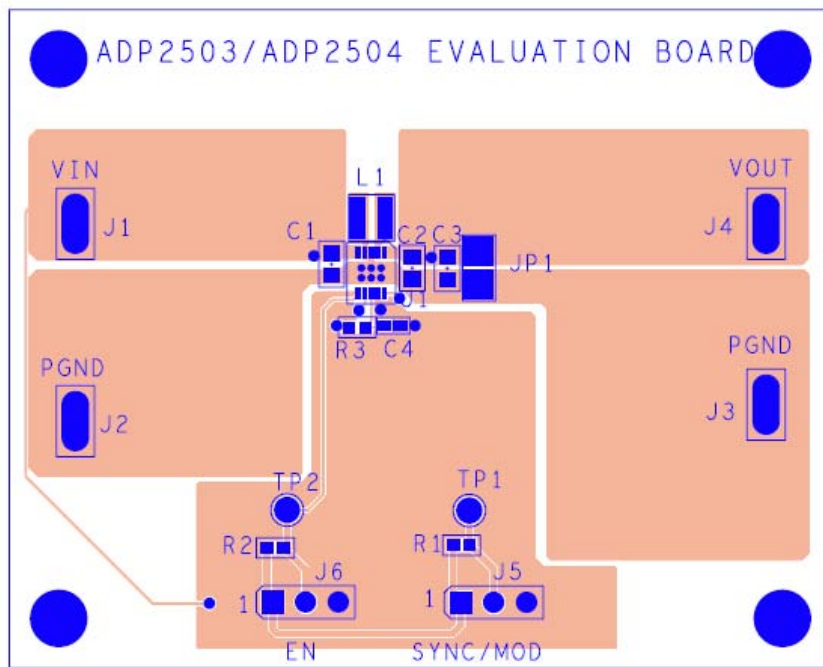


Figure 4. Evaluation Board Layout

REDYKIT BILL OF MATERIALS

Table 1.

Qty	Model	Voltage	Maximum Current	Description
1	ADP2504-2.8-EVALZ	V_{OUT} 2.8 V	N/A	Evaluation board
1	ADP2504-5.0-EVALZ	V_{OUT} 5.0 V	N/A	Evaluation board
3	ADP2504ACPZ-2.8-R7	2.8 V	1.0 A	10-lead lead frame chip scale package (LFCSP_WD)
3	ADP2504ACPZ-3.3-R7	3.3 V	1.0 A	10-lead lead frame chip scale package (LFCSP_WD)
3	ADP2504ACPZ-3.5-R7	3.5 V	1.0 A	10-lead lead frame chip scale package (LFCSP_WD)
3	ADP2504ACPZ-4.2-R7	4.2 V	1.0 A	10-lead lead frame chip scale package (LFCSP_WD)
3	ADP2504ACPZ-4.5-R7	4.5 V	1.0 A	10-lead lead frame chip scale package (LFCSP_WD)
3	ADP2504ACPZ-5.0-R7	5.0 V	1.0 A	10-lead lead frame chip scale package (LFCSP_WD)



Figure 5. ADP2504CPZ-RedyKit Contents

ESD CAUTION



ESD (electrostatic discharge) sensitive device. Charged devices and circuit boards can discharge without detection. Although this product features patented or proprietary protection circuitry, damage may occur on devices subjected to high energy ESD. Therefore, proper ESD precautions should be taken to avoid performance degradation or loss of functionality.

NOTES

Evaluation boards are only intended for device evaluation and not for production purposes. Evaluation boards are supplied “as is” and without warranties of any kind, express, implied, or statutory including, but not limited to, any implied warranty of merchantability or fitness for a particular purpose. No license is granted by implication or otherwise under any patents or other intellectual property by application or use of evaluation boards. Information furnished by Analog Devices is believed to be accurate and reliable. However, no responsibility is assumed by Analog Devices for its use, nor for any infringements of patents or other rights of third parties that may result from its use. Analog Devices reserves the right to change devices or specifications at any time without notice. Trademarks and registered trademarks are the property of their respective owners. Evaluation boards are not authorized to be used in life support devices or systems.