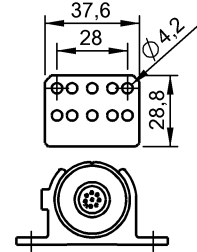
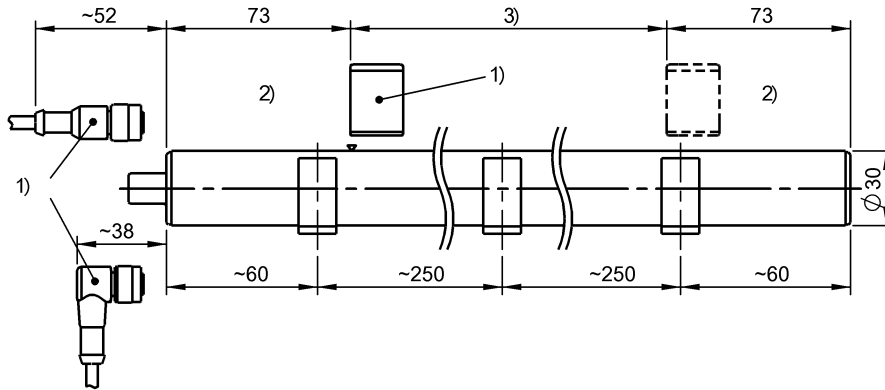


**BTL6-A110-M0225-A1-S115**  
**Ordering code: BTL002C**

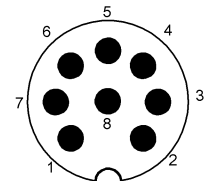
**Micropulse transducers**  
**Series Profile**

**Output signal 0...10 V and 10...0 V**  
**Nominal stroke 225 mm**

**BALLUFF**  
*sensors worldwide*



Pin	
1	GND output
2	GND output
3	10...0 V
4	NC
5	0...10 V
6	GND
7	+24 V DC
8	NC



1) Not incl. in scope of del., 2) Unusable area, 3) Nom. stroke = Meas. length

**Characteristic data**

Output signal 0...10 V and 10...0 V  
 Connection Connector, M12  
 Operating voltage 20...28 V DC

**Electrical data**

Ripple 0.5 Vpp  
 Current consumption (at 24 V DC) ≤ 70 mA  
 Inrush current ≤ 3 A / 0.5 ms  
 Overvoltage protected Yes  
 Voltage-proof (GND – housing) 500 V DC  
 Ripple Ua max. 5  
 Galvanic isolation No  
 For dynamic loop applications No  
 Error signal Ua rising ≥ 10.2 V  
 Error signal Ua falling ≥ 10.2 V

**Mechanical data**

Version Type A1  
 Mounting type Mounting clamps  
 Connector type M12  
 Cable/connector out Axial  
 Number of pins 8  
 Housing material Anodized aluminum  
 Resolution ≤ 10 µm  
 Repeat accuracy ≤ 10 µm

Sampling rate (length-depend.) 1 kHz, standard  
 TK, typ. (at 50% of 500 mm) ≤ 35 ppm/K  
 Ambient temperature Ta min. 0 °C  
 Ambient temperature Ta max. 70 °C  
 Storage temperature min. -40 °C  
 Storage temperature max. 100 °C  
 Relative humidity < 90%, non-condensing  
 Null point 73 mm

**Basic data**

Protected against polarity reversal  
 Enclosure Type per IEC 60529  
 EN 60068-2-27 (shock)  
 EN 60068-2-29 (cont. shock)  
 EN 60068-2-6 (vibration)  
 EN 60068-2-64 (noise)  
 EN 55016-2-3 (emission)  
 EN 61000-4-2 (ESD)  
 EN 61000-4-3 (RFI)  
 EN 61000-4-4 (burst)  
 EN 61000-4-5 (surge)  
 EN 61000-4-6 (HF fields)  
 EN 61000-4-8 (magnetic fields)  
 Approvals

Up to 36 V  
 IP67 (with connector)  
 50 g / 6 ms  
 50 g / 2 ms  
 12 g, 10...2000 Hz  
 5 g, 10...2000 Hz  
 Class A+B  
 Severity Level 3  
 Severity Level 3  
 Severity Level 3  
 Severity Level 2  
 Severity Level 3  
 Severity Level 4  
 CE, cURus

**Remarks**

**BTL6-A110-M0225-A1-S115**  
**Ordering code: BTL002C**

**Micropulse transducers**  
**Series Profile**

**Output signal 0...10 V and 10...0 V**  
**Nominal stroke 225 mm**

**BALLUFF**  
*sensors worldwide*

