


**Ordering number** C12329  
**Description** 1

Family	Strada-T	FWHM	Asym degrees
Type	Lens	Efficiency	93 %
LED	NS6x83	cd/Im	-
Color	Clear	Gerber File	Available
Diameter	19.6 x 15.5 mm		
Height	9.2 mm		
Style	Rectang		
Optic Material	PMMA		
Holder Material	-		
Fastening	-		
Status	Ready		

**Ordering number** CA12332  
**Description** 1

Family	Strada-T	FWHM	Asym degrees
Type	Assembly	Efficiency	93 %
LED	NS6x83	cd/Im	-
Color	Clear	Gerber File	Available
Diameter	19.6 x 15.5 mm		
Height	9.6 mm		
Style	Rectang		
Optic Material	PMMA		
Holder Material	-		
Fastening	-		
Status	Ready		



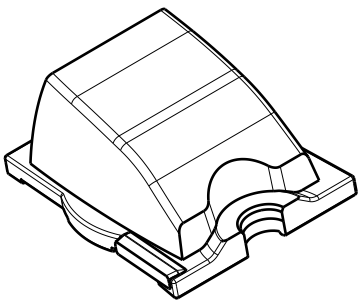
**PRODUCT DATASHEET**  
**Strada-T series**  
last update 11/12/2012



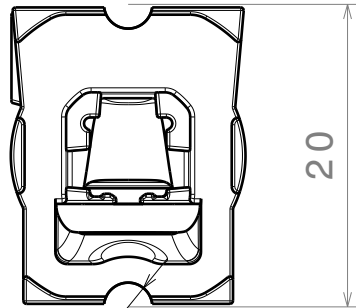
**NOTE: The typical divergence will be changed by different color, chip size and chip position tolerance. The typical total divergence is the full angle measured where the luminous intensity is half of the peak value.**

D C B A

4



Isometric view

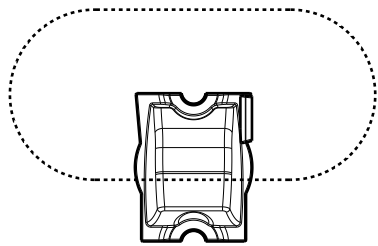


20  
fastening

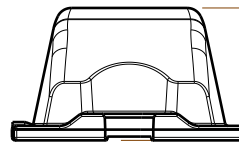
Bottom view

$\varnothing 3.2$

3



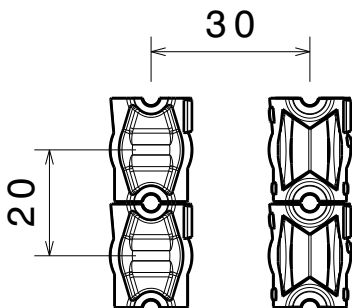
Beam direction



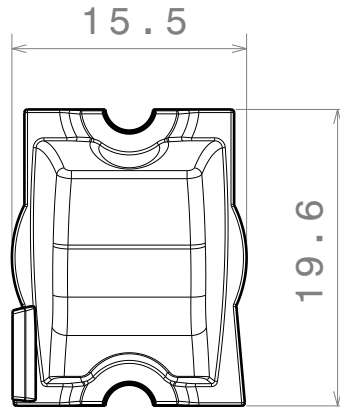
9.2  
with tape 9.6

Front view

2



Strada lens arrangement  
recomendation



Top view

**MATERIALS**

Lens: PMMA

Tape(optional): PU Foam

Part no. with tape fastening: CA12332\_Strada-T-DN

This drawing is our property.  
It can't be reproduced  
or communicated without  
our written agreement.



Ledil Oy  
Salorankatu 10  
FIN-24100 SALO  
Finland

**DRAWING TITLE**

**Datasheet Strada-T-DN Lens**

**DRAWN BY**

ah

**DATE**

13.12.2011

**CHECKED BY**

vs

**DATE**

13.12.2011

**DESIGNED BY**

hh

**DATE**

07.09.2011

**SIZE**

A4

**DRAWING NUMBER**

C12329

**REV**

1

**SCALE**

2:1

**WEIGHT (g)**

**SHEET**

1/1

1

1

D A