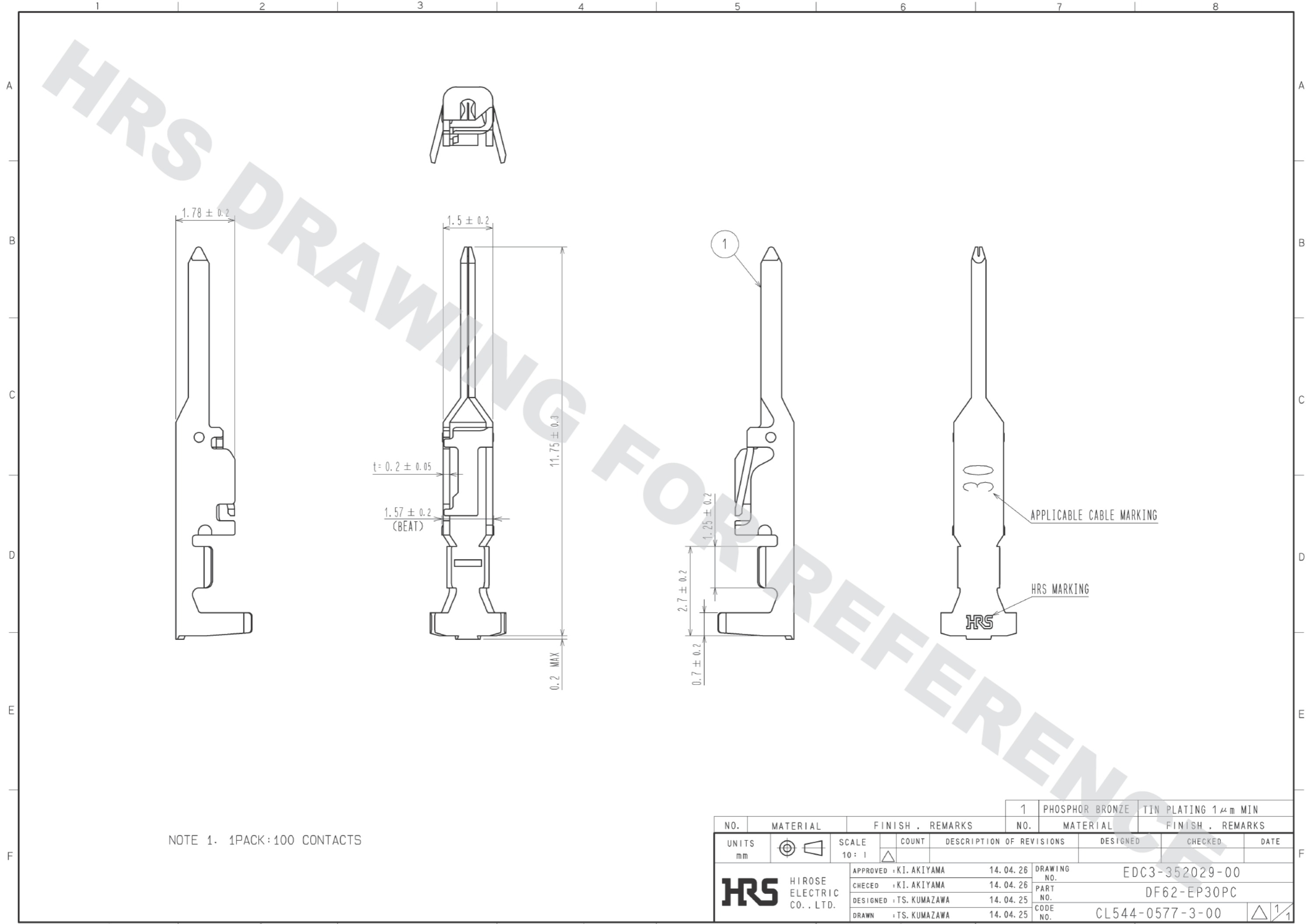


DRAWING FOR REFERENCE: This is subject to change without notice
05/31/2014



NOTE 1. 1PACK:100 CONTACTS

NO.		MATERIAL		FINISH . REMARKS		NO.		MATERIAL		FINISH . REMARKS	
		1		PHOSPHOR BRONZE				TIN PLATING 1 μm MIN			
UNITS	mm	SCALE	10:1	COUNT	△	DESCRIPTION OF REVISIONS		DESIGNED	CHECKED	DATE	
HRS HIROSE ELECTRIC CO., LTD.		APPROVED	: KI. AKIYAMA			14.04.26	DRAWING NO.	EDC3-352029-00			
		CHECKED	: KI. AKIYAMA			14.04.26	PART NO.	DF62-EP30PC			
		DESIGNED	: TS. KUMAZAWA			14.04.25	CODE NO.	CL544-0577-3-00			
		DRAWN	: TS. KUMAZAWA			14.04.25					△ 1/1