

Article
2470 PJO 075 P30

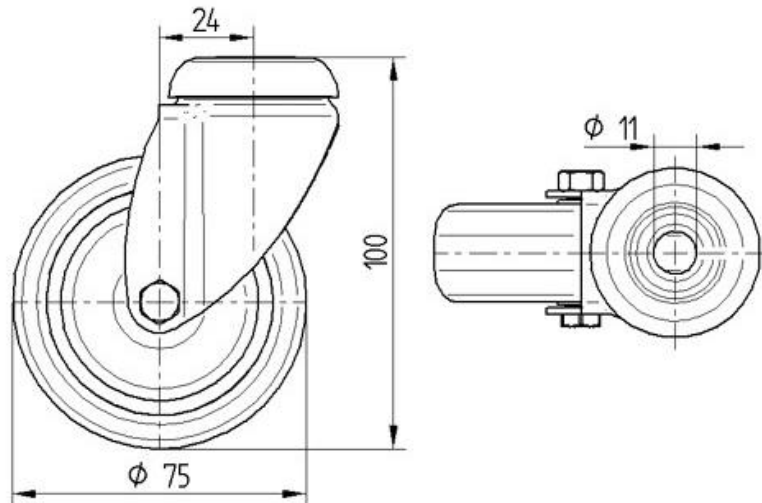


Technical Data

Wheel diameter	75 mm
Width of Tread	25 mm
Centre hole	11 mm
Offset	24 mm
Swept radius-Ø	123 mm
Dynamic Load capacity	75 Kg / daN
Static Load capacity	188 Kg / daN
Temperature	- 20 / + 60 °C
Norm	EN 12530
Overall height	100 mm

Description

Swivel Castor, housing made of zinc-chromatised pressed steel, double ball bearing swivel head, wheel made of Polypropylene, tread made of thermoplastic rubber, plain bearing, single bolt hole.





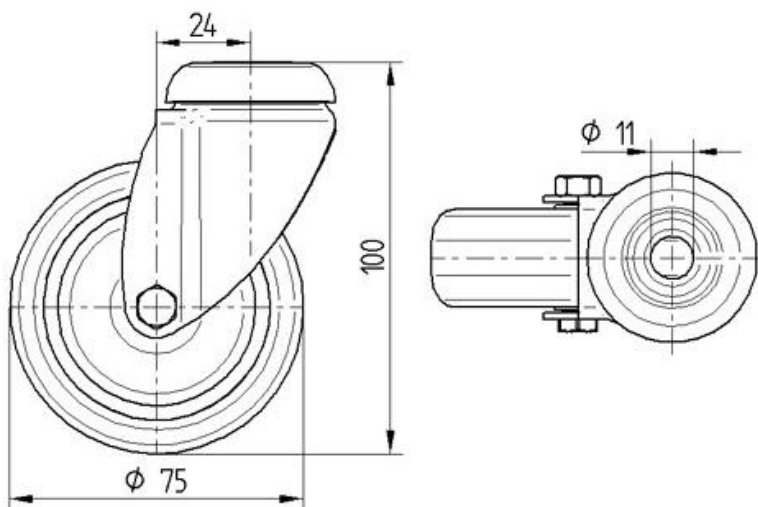
Article
2470 PJO 075 P30

Versions:



2477 PJO 075 P30

- Home
- Sitemap
- News
- Products
- Know How
- Sales
- About us
- Purchase
- Contact



© Copyright, 2001-2002
TENTE-ROLLEN

- Drawing
- Image
- Variants
- Accessoires
- Back