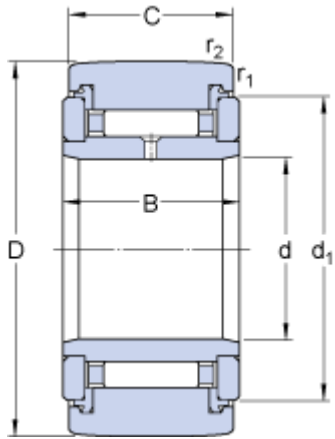


# NATR 10 PPA

## Dimensions



D		30	mm
d		10	mm
C		14	mm
B		15	mm
d <sub>1</sub>		23	mm
r <sub>1,2</sub>	min.	0.6	mm

## Calculation data

Basic dynamic load rating	C	6.4	kN
Basic load rating, static	C <sub>0</sub>	8	kN
Fatigue load limit	P <sub>u</sub>	0.88	kN
Maximum static radial loads	F <sub>r</sub>	7.8	kN
Maximum static radial loads	F <sub>0r</sub>	11.2	kN
Limiting speed		4800	r/min

## Mass

Mass support roller		0.061	kg
---------------------	--	-------	----