

OV7221 VGA product brief



available in
a lead-free
package

high-performance, all-digital security camera solution

The OV7221 CameraChip™ sensor is a high-performance 1/4 inch, single-chip VGA camera and image processor that performs under low voltage conditions. Operating at full functionality in a small footprint package, the OV7720 meets all security and surveillance market requirements in terms of performance, quality and reliability.

The OV7221 excels in low light conditions and can operate within a wide temperature range from -20°C to +70°C. It provides full-frame, sub-sampled or windowed 8-bit/10-bit images in a wide range of formats, controlled through the Serial Camera Control Bus (SCCB) interface.

The OV7221 incorporates a 640 x 480 image array capable of operating at up to 60 frames per second (fps) in VGA with complete user control over image quality, formatting and output data transfer.

The OV7221 possesses all required camera processing functions including exposure control, gamma, white balance, color saturation, hue control and more. These functions are also programmable through the SCCB interface.

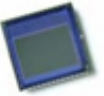
applications



- ④ security/surveillance cameras ④
- video conferencing
- ④ video phones
- ④ video e-mail
- ④ toys
- ④ finger print equipment

- ④ medical and dental equipment
- ④ digital still cameras
- ④ webcams

OV7221



ordering information

- ④ OV07720-VL1A (color, lead-free, CSP2-28)
- ④ OV07720-C01A (color, lead-free, CLCC-28)
- ④ OV07221-V28A (b&w, lead-free, CSP2-28)
- ④ OV07221-C01A (b&w, lead-free, CLCC-28)

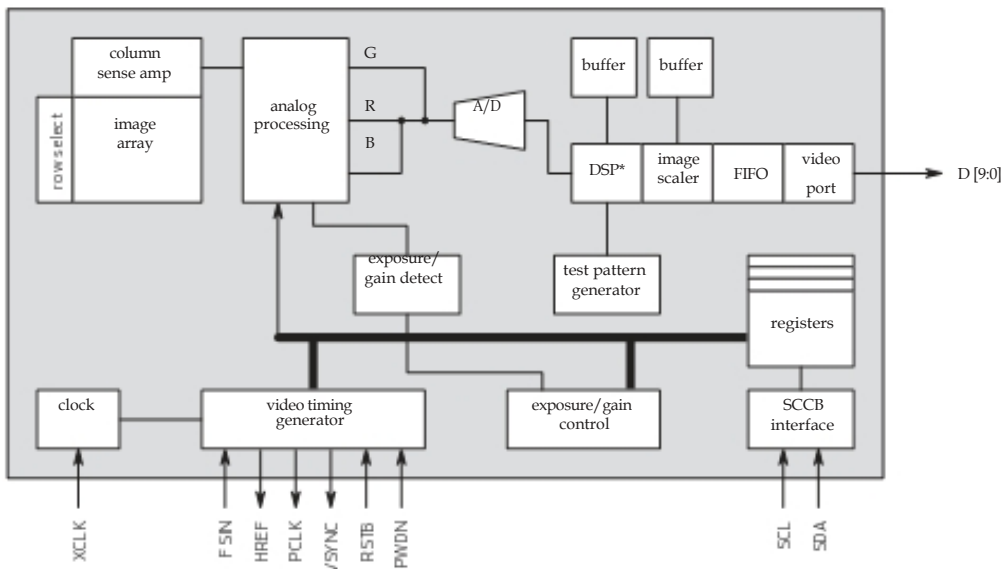
product features

- ④ high sensitivity for low-light operation
- ④ standard SCCB interface output support for:
 - Raw RGB
 - RGB (GRB 4:2:2, RGB565/555/444)
 - YCbCr (4:2:2) formats
- ④ supports image sizes: VGA, QVGA, and any size scaling down from CIF to 40x30
- ④ VarioPixel® method for subsampling
- ④ automatic image control functions including:
 - Automatic Exposure Control (AEC)
 - Automatic Gain Control (AGC)
 - Automatic White Balance (AWB)
 - Automatic Band Filter (ABF)
 - Automatic Black-Level Calibration (ABLC)
- ④ image quality controls including color saturation, hue, gamma, sharpness (edge enhancement), and antiblooming
- ④ ISP includes noise reduction and defect correction
- ④ lens shading correction
- ④ saturation level auto adjust (UVadjust)
- ④ edge enhancement level auto adjust
- ④ noise suppression technology auto adjust
- ④ frame synchronization capability

product specifications

- ④ array size: 640 x 480
- ④ power supply
 - analog: 3.0 to 3.6V
 - digital core: 1.8 VDC ± 10%
 - I/O: 1.7 to 3.3V
- ④ power requirements
 - active: 120 mW (60 fps VGA, YUV)
 - standby: <20 µA
- ④ image area: 3984 µm x 2952 µm
- ④ electronic exposure up to 510:1 (for selected fps)
- ④ S/N ratio: 50 dB
- ④ output format 8-bit YUV/RGB/ raw data
- ④ dynamic range: 60dB
- ④ pixel size: 6.0µm x 6.0µm
- ④ dark current: 40mV/s
- ④ scan mode: progressive
- ④ fixed pattern noise: < 0.03% of V_{PEAK-TO-PEAK}
- ④ package dimensions:
 - CSP2: 5345 µm x 5265 µm
 - CLCC: 11.43mm x 11.43mm
- ④ temperature range -20°C to +70°C

functional block diagram



note 1 DSP* (lens shading correction, de-noise, white/black pixel correction, auto white balance, etc.)

1341 Orleans Drive
Sunnyvale, CA 94089

tel: +1 408 542 3000
fax: +1 408 542 3001
www.ovt.com

OmniVision reserves the right to make changes to their products or to discontinue any product or service without further notice. 'OmniVision', the OmniVision logo, 'VarioPixel', and 'OmniPixel' are registered trademarks of OmniVision Technologies, Inc. All other trademarks are the property of their respective owners.

