

ATEX LED Torch

Zones: 0, 1, 2, 21 and 22



Product Overview

The ATEX LED Torch uses the latest LED technology to give excellent performance and reliability in the most extreme conditions and is CE marked to the ATEX Directive and IECEx Certified, with versions allowing use in M1 and M2 mining applications as well as Zones 0, 1 and 2 potentially explosive gas, vapour, mist and dust atmospheres, with T4 or T3 temperature class dependent on cell type used.

The compact and lightweight right-angle torch design has a high-grip ergonomic form with easy single handed switching, even with gloved hands. The high strength torch body has proven impact resistance even at sub zero temperatures. The rubber armoured lens ring and end cap give enhanced grip and shock protection. The lens is resistant to scratch and chemical attack. The torch is sealed dust tight and protected from water immersion, with a certified IP67 enclosure. The right-angle body arrangement incorporates a replaceable high strength thermoplastic belt clip for hands free use.

The TR-40, TR-40+ and TR-45 give outstanding light output from unique optics that deliver a piercing spot beam, combined with a low level flood of fringe light, giving a peak of up to 145 lumens light output from a high power Luxeon LED. The light source has a 25,000 hour life and should be regarded as 'fitted for life'. Powered by four AA/LR6 primary alkaline cells fitted in a cassette, Wolf ATEX LED Torches provide up to 7.5 hours at full brightness, and thereafter at reducing brightness up to 72 hours of light output. The TR-40+ model is fitted with a low battery power indicator, emitting a red flashing light through the side of the torch body while battery power and light output is high, but switching to continuous red when battery and light output is low. Very low maintenance and quick component replacement are key benefits of this product range. All models are supplied with wrist straps and clip rings.

Features & Benefits

- ATEX Approved for explosive gas and dust atmospheres
- LED light source 'fitted for life', no bulb replacement required
- High output focussed spot beam with wide angle fringe of light
- Up to 7.5 hours high power output from 4 x AA primary cells
- Compact and lightweight torch design
- Low battery indicator fitted on TR-40+ model
- Zone 0 version available
- All models with Group I Mining Approval

Certifications



1180

NATO

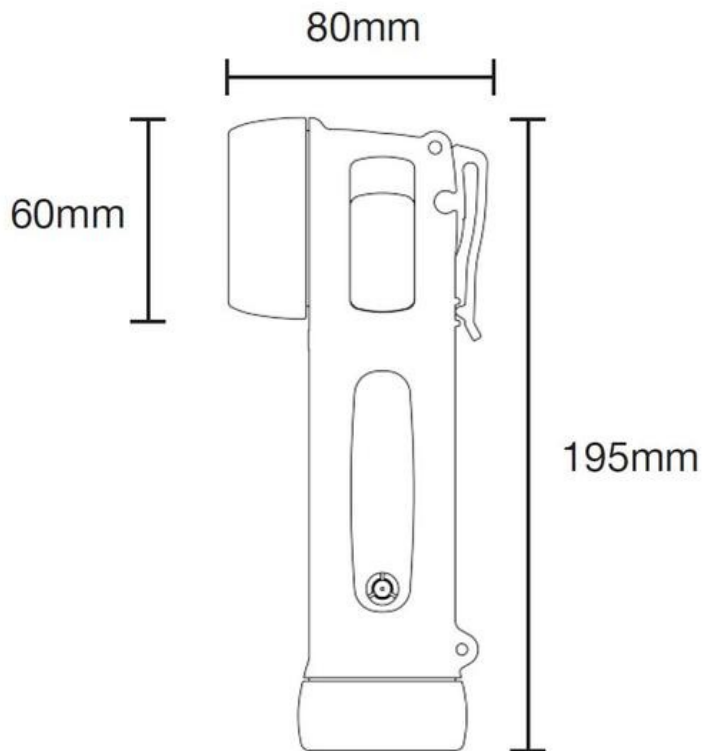


Technical Specification

Product Reference		TR-40	TR-40+	TR-45
Product Description		High Power LED Right Angle Safety Torch		
		Yellow Body Zone 1	Yellow Body Zone 1 + Low Battery Indicator	Black Body - Zone 0
Code	Industrial	II 2 GD Ex ib IIC T4/T3 tD A21 IP67 T85° C		II 1 G Ex ia IIC T4/T3 IP67
	Mining	I M2 Ex ib I IP67		I M1 Ex ia I IP67
Type of Protection		'ia/ib' Intrinsic Safety, tD Enclosure Protection		
Area of Classification (Gas)		Zones 1 & 2 Gas Groups IIA, IIB IIC		Zones 0, 1 & 2 Gas Groups IIA, IIB IIC
Max Surface Temp (Gas)		T3/T4		
Ambient Temperature (Gas)		-20° C to +40° C		
Area of Classification (Dust)		Zones 21 and 22		-
Max Surface Temp (Dust)		85° C		-
Ambient Temperature (Dust)		-20° C to +40° C		
Certificate		Baseefa07ATEX0091 - IECEx BAS 06.0089		
Enclosure		High Impact Thermoplastic, Chemical Resistant, Electrostatic Non-hazardous		
Lens		Shatterproof Polycarbonate with Scratch and Chemical Resistant Hard Coat		Toughened Glass
Beam Type		High Output Beam with Focussed Spot and Wide Angle Fringe of Light		
Light Source:	Type	High Power LED		
	Power	1.4 Watts		
	Output	Up to 145 lm		
	Life	25,000hrs+ (Fitted for Life)		
Power Source:	Part Number	TP-295 (4 x LR6 Cells)		
	Cell Type	LR6 Primary Cells to IEC60086, Alkaline AA cells		
	Volts	4 x 1.5v		
Low Battery Indicator		-	Yes	-
Light Duration		Up to 7.5 hours at Full Brightness / Up to 72 hrs total Light Duration		
Ingress Protection		IP67		
Weight (inc. cells)		0.350Kg		

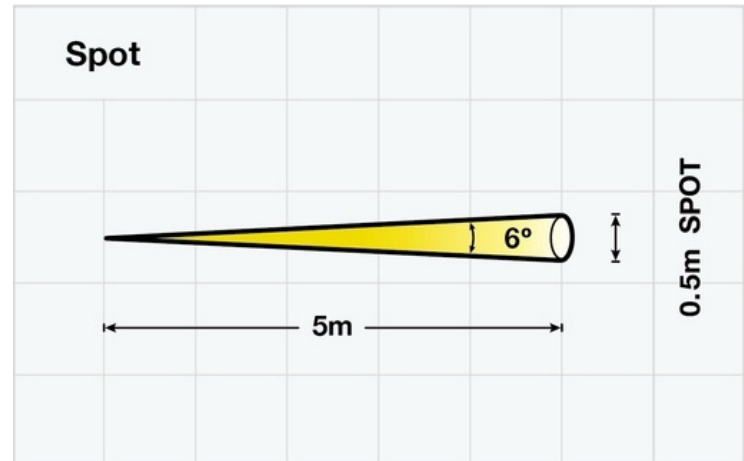
- All information has been gathered under laboratory conditions, the user must regard the values given as approximate.
- Changes may be made to the above specification without notification, details are available on request.

Product Dimensions



Light Output

LED Beam (approx 6°)
Peak luminous intensity at 5m **550lux**



Version: SL016 Issue 5



Wolf Safety Lamp Company, Saxon Road Works, Sheffield, S8 0YA, UK

T: +44 (0) 114 255 1051

F: +44 (0) 114 255 7988

E: info@wolf-safety.co.uk

www.wolf-safety.co.uk

