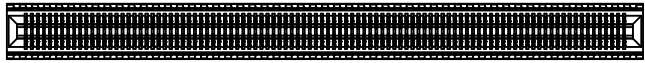
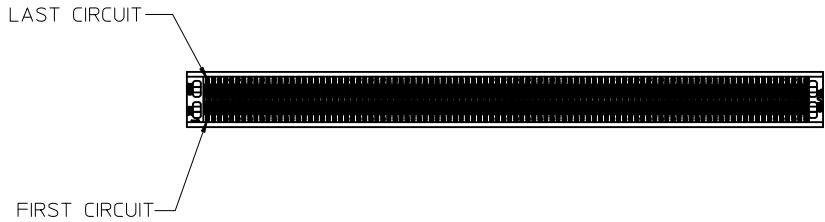
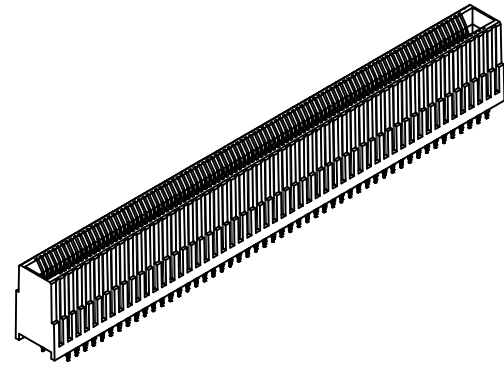
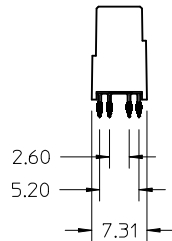
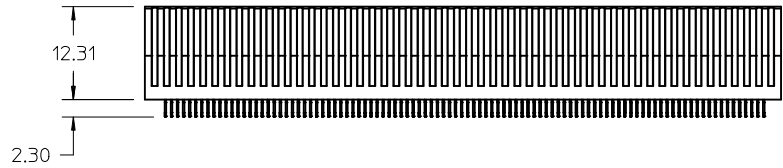


2 BAY EDGELINE



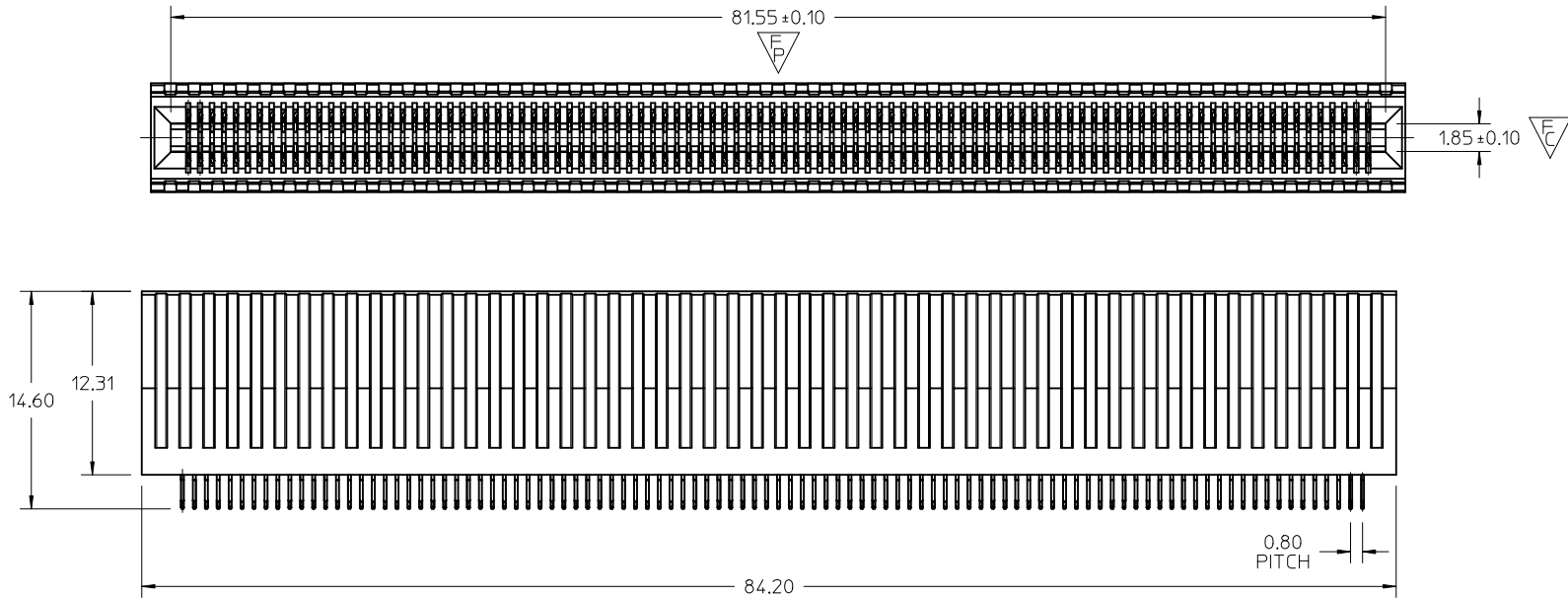
1 BAY EDGELINE



PART NUMBER	VERSION	BAY 1/BAY 2	TOTAL CIRCUITS	DIM A	SALES DRAWING (SEE NOTE 9)
76691-2278	2 BAY	143/132	278	118.63	SD-76691-2278
76691-1200	1 BAY	200	200	84.20	SD-76691-1200
76691-2108	2 BAY	86/22	108	50.63	SD-76691-2108
76691-3108	2 BAY	86/22	108	50.63	SD-76691-3108
76691-2080	2 BAY	52/28	80	39.43	SD-76691-111
76691-9046*	1 BAY	46	46	22.60	SD-76691-109
76691-1046	1 BAY	46	46	22.60	SD-76691-107

- NOTES:
- MATERIAL:  
HOUSING - GLASS FILLED THERMOPLASTIC, 94-V0, BLACK  
TERMINALS - COPPER ALLOY
  - FINISH:  
CONTACT AREA: HARD GOLD -0.76µm MIN OVER 3.80µm NICKEL  
COMPLIANT AREA: TIN - 0.76/1.52µm OVER NICKEL  
\* SPECIAL FINISH:  
CONTACT AREA: HARD GOLD -0.76µm MIN OVER 3.80µm NICKEL  
COMPLIANT AREA: TIN-LEAD - 0.76/1.52µm OVER NICKEL
  - REFER TO PS-75594-999 PRODUCT SPECIFICATION FOR ALL ELECTRICAL, MECHANICAL AND ENVIRONMENTAL SPECIFICATIONS.
  - REFER TO PK-76693-900 FOR ALL PACKAGING SPECIFICATIONS.
  - PROCESSING: PRESSFIT TO PC BOARD.
  - MATING PC BOARD THICKNESS = 1.60±0.16MM OVER CONTACT PADS.
  - PRODUCT IS ELV AND RoHS COMPLIANT. LEVEL OF COMPLIANCE: 6/6  
ALL BANNED SUBSTANCES ARE REMOVED:  
Pb (LEAD)  
HEXAVALENT CHROMIUM (CrVI)  
CADMIUM  
MERCURY  
POLYBROMINATED BIPHENYL (PBB)  
POLYBROMINATED DIPHENYL ETHER (PBDE)
  - THIS PART CONFORMS TO CLASS B REQUIREMENTS OF COSMETIC SPEC PS-45499-002
  - FOR EDGE CARD AND MOUNTING PCB LAYOUT DETAIL SEE CORRESPONDING SALES DRAWING.

<b>REDRAWN DRAWING</b> IEC NO: UCP2011-2702 DRWING: DROSCA 2011/03/07 CHKD: JCOMERCI 2011/03/28 APPR: JCOMERCI 2011/03/28	QUALITY SYMBOLS	GENERAL TOLERANCES (UNLESS SPECIFIED)		DIMENSION STYLE <b>MM ONLY</b>		SCALE <b>2:1</b>	DESIGN UNITS <b>METRIC</b>	THIRD ANGLE PROJECTION	
	▽ = 0	4 PLACES ± ---	INCH ± ---	DRAWN BY DROSCA	DATE 07/21/08	<b>EDGELINE 12.5GB</b> <b>0.062"PCB 0.8MM PITCH</b>			
	▽ = 0	3 PLACES ± ---	± ---	CHECKED BY JCOMERCI	DATE 07/21/08				
	▽ = 0	2 PLACES ± 0.13	± ---	APPROVED BY JCOMERCI	DATE 2010/10/25	<b>MOLEX INCORPORATED</b>			
		1 PLACE ± 0.25	± ---	MATERIAL NO. <b>SEE TABLE</b>		DOCUMENT NO. <b>SD-76691-100</b>	SHEET NO. <b>1 OF 1</b>		
DRAFT WHERE APPLICABLE MUST REMAIN WITHIN DIMENSIONS		THIS DRAWING CONTAINS INFORMATION THAT IS PROPRIETARY TO MOLEX INCORPORATED AND SHOULD NOT BE USED WITHOUT WRITTEN PERMISSION							



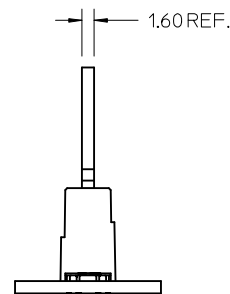
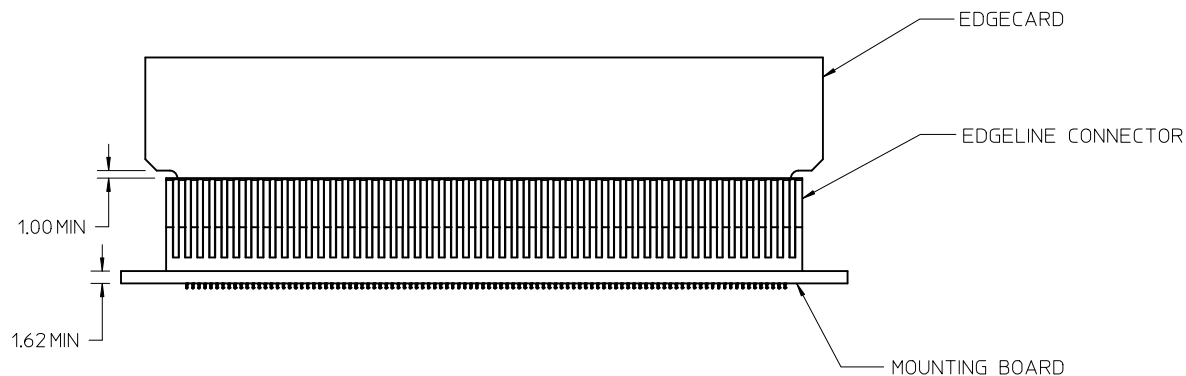
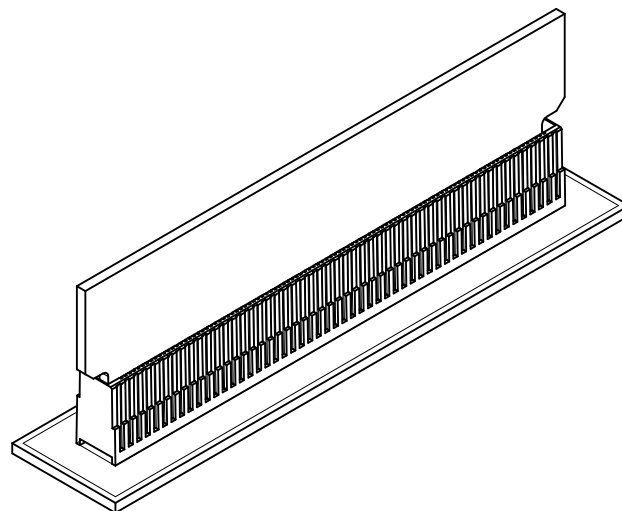
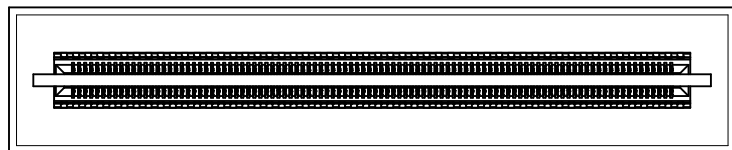
LAST CIRCUIT

FIRST CIRCUIT

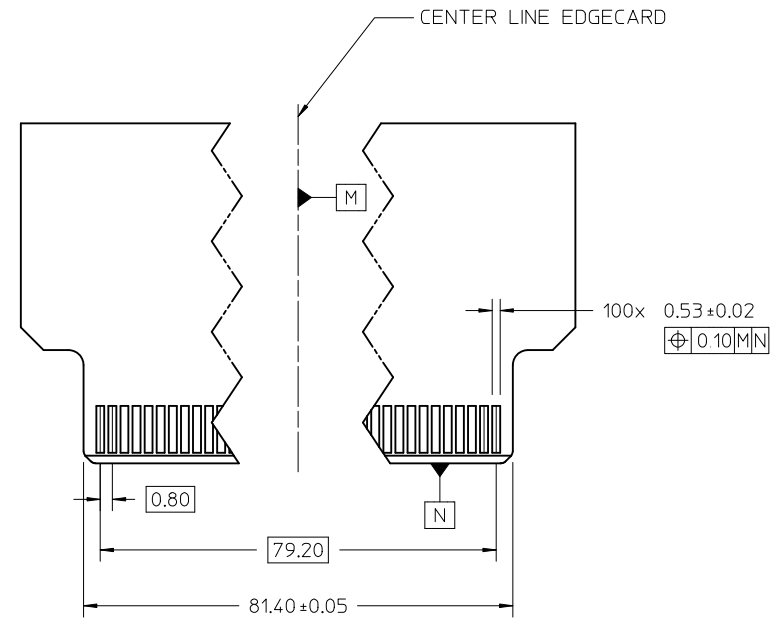
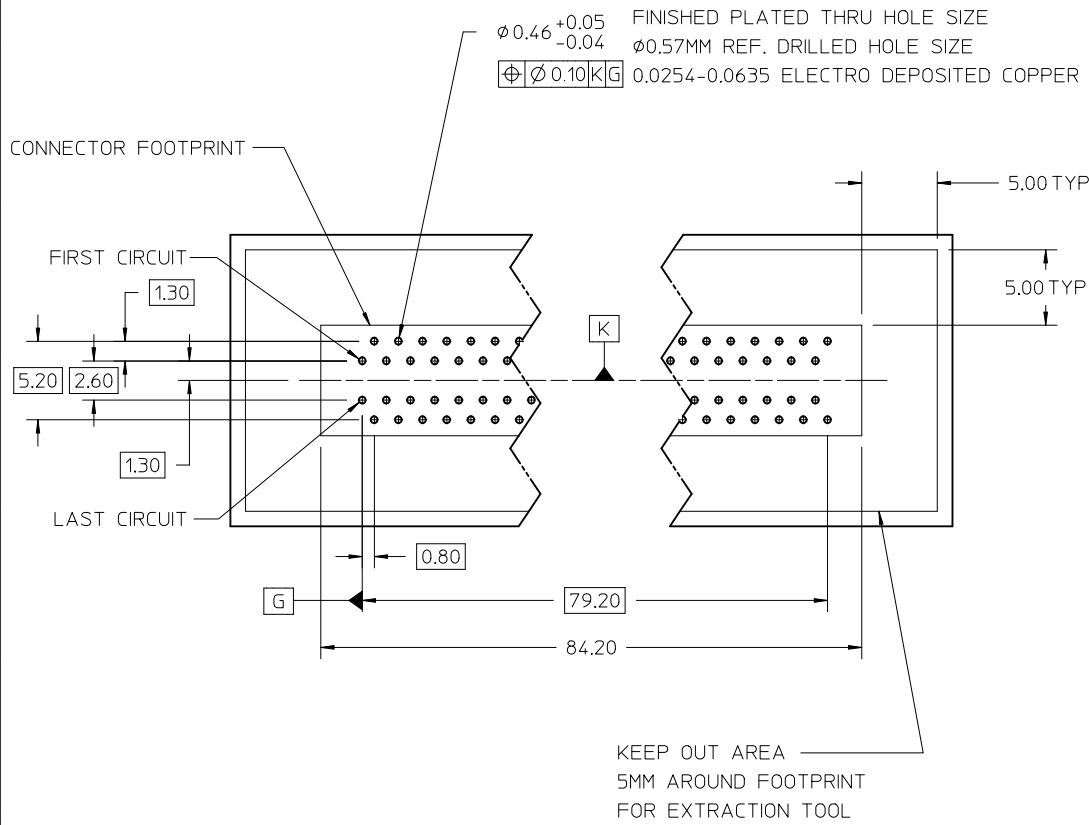
- NOTES:
- MATERIAL:  
HOUSING - GLASS FILLED THERMOPLASTIC, 94-V0, BLACK  
TERMINALS - COPPER ALLOY
  - FINISH:  
CONTACT AREA: HARD GOLD -0.76 $\mu$ m MIN OVER 3.80 $\mu$  NICKEL  
COMPLIANT AREA: TIN - 0.76/1.52 $\mu$ m OVER NICKEL  
\* SPECIAL FINISH:  
CONTACT AREA: HARD GOLD -0.76 $\mu$ m MIN OVER 3.80 $\mu$  NICKEL  
COMPLIANT AREA: TIN-LEAD - 0.76/1.52 $\mu$ m OVER NICKEL
  - REFER TO PS-75594-999 PRODUCT SPECIFICATION FOR ALL ELECTRICAL, MECHANICAL AND ENVIRONMENTAL SPECIFICATIONS.
  - REFER TO PK-76693-900 FOR ALL PACKAGING SPECIFICATIONS.
  - PROCESSING: PRESSFIT TO PC BOARD.
  - MATING PC BOARD THICKNESS = 1.60±0.16MM OVER CONTACT PADS.
  - PRODUCT IS ELV AND RoHS COMPLIANT. LEVEL OF COMPLIANCE: 6/6  
ALL BANNED SUBSTANCES ARE REMOVED:  
Pb (LEAD)  
HEXAVALENT CHROMIUM (CrVI)  
CADMIUM  
MERCURY  
POLYBROMINATED BIPHENYL (PBB)  
POLYBROMINATED DIPHENYL ETHER (PBDE)
  - THIS PART CONFORMS TO CLASS B REQUIREMENTS OF COSMETIC SPEC PS-45499-002

REV A EC NO: UCP2011-2702 DRWN: DROSCA 2011/03/23 CHKD: JCOMERC I 2011/03/28 APPR: JCOMERC I 2011/03/28	QUALITY SYMBOLS ▽ = 0 ▽ = 1 ▽ = 1	GENERAL TOLERANCES (UNLESS SPECIFIED)		DIMENSION STYLE MM ONLY		SCALE 4:1	DESIGN UNITS METRIC	THIRD ANGLE PROJECTION	
		mm	INCH	DRAWN BY DROSCA	DATE 2010/11/11	TITLE EDGELINE 12.5GB 200CKTS 0.062*PCB 0.8MM PITCH			
		4 PLACES ± ---	± ---	CHECKED BY JCOMERC I	DATE 2010/11/11				
		3 PLACES ± ---	± ---	APPROVED BY JCOMERC I		DATE 2011/01/13	MATERIAL NO. 766911200		
2 PLACES ± 0.15	± ---	DOCUMENT NO. SD-76691-1200		SHEET NO. 1 OF 5					
1 PLACE ± 0.25	± ---	DRAFT WHERE APPLICABLE MUST REMAIN WITHIN DIMENSIONS		THIS DRAWING CONTAINS INFORMATION THAT IS PROPRIETARY TO MOLEX INCORPORATED AND SHOULD NOT BE USED WITHOUT WRITTEN PERMISSION					

# EDGELINE CONNECTOR BOARD MOUNTING



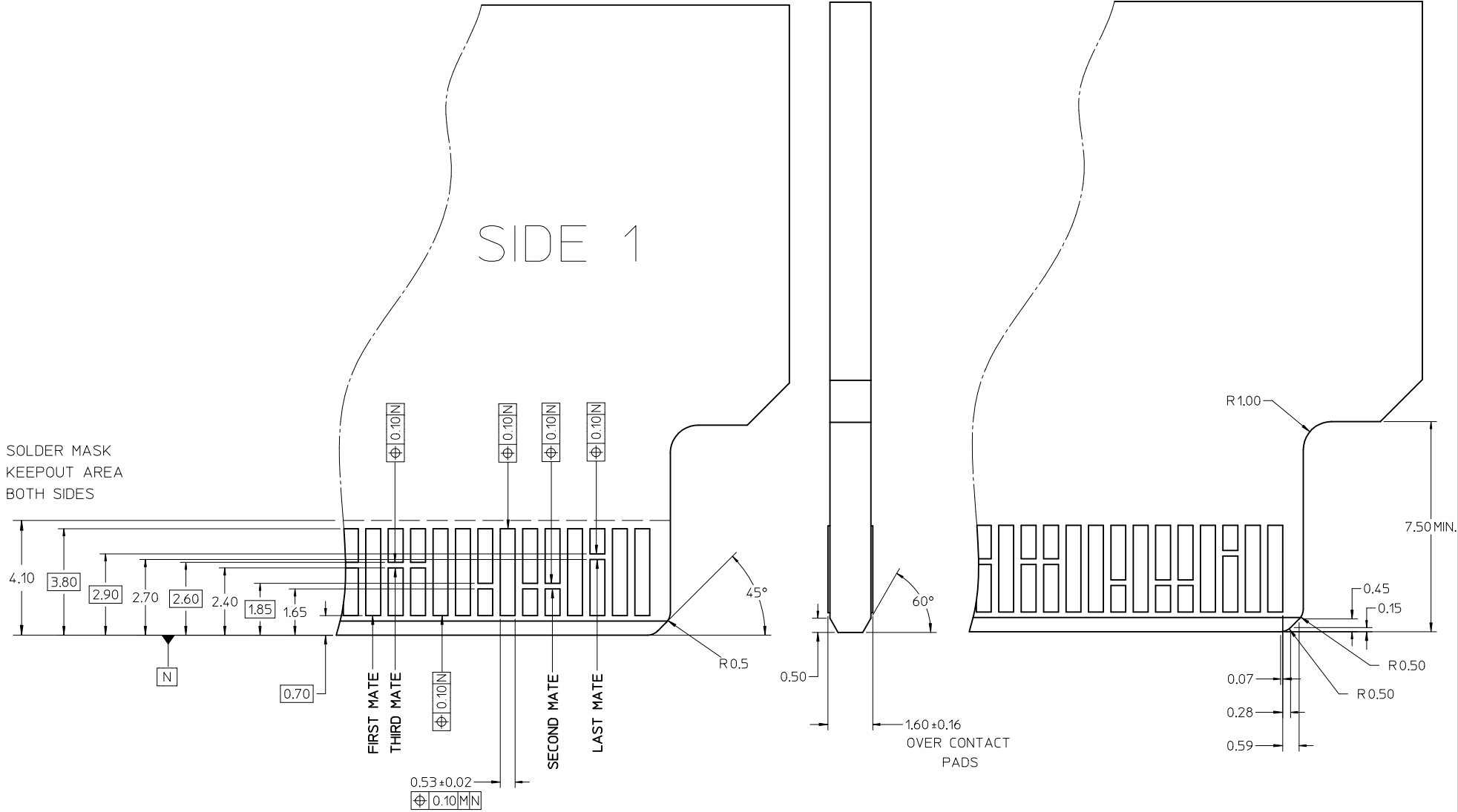
SEE SHEET 1 EC NO: UCP2011-z702 DRWN: DROSCA 2011/03/23 CHKD: JCOMERCI 2011/03/28 APPR: JCOMERCI 2011/03/28	REV A	DESCRIPTION EDGELINE CONNECTOR BOARD MOUNTING	QUALITY SYMBOLS ▽=0 ▽=0	GENERAL TOLERANCES (UNLESS SPECIFIED)		DIMENSION STYLE <b>MM ONLY</b>		SCALE <b>2:1</b>	DESIGN UNITS <b>METRIC</b>	THIRD ANGLE PROJECTION	
				DRAFT WHERE APPLICABLE MUST REMAIN WITHIN DIMENSIONS		DRAWN BY DATE DROSCA 2010/11/11		CHECKED BY DATE JCOMERCI 2010/11/11		APPROVED BY DATE JCOMERCI 2011/01/13	
				MATERIAL NO. <b>SEE SHEET 1</b>		DOCUMENT NO. <b>SD-76691-1200</b>		SHEET NO. <b>2 OF 5</b>			
THIS DRAWING CONTAINS INFORMATION THAT IS PROPRIETARY TO MOLEX INCORPORATED AND SHOULD NOT BE USED WITHOUT WRITTEN PERMISSION											



<b>SEE SHEET 1</b> EC NO: UCP2011-2702 DRWN: DROSCA 2011/03/23 CHKD: JCOMERC I 2011/03/28 APPR: JCOMERC I 2011/03/28	QUALITY SYMBOLS $\nabla = 0$ $\nabla = 0$ $\nabla = 0$	GENERAL TOLERANCES (UNLESS SPECIFIED) <table border="1"> <tr> <th></th> <th>mm</th> <th>INCH</th> </tr> <tr> <td>4 PLACES</td> <td>± ---</td> <td>± ---</td> </tr> <tr> <td>3 PLACES</td> <td>± ---</td> <td>± ---</td> </tr> <tr> <td>2 PLACES</td> <td>± 0.15</td> <td>± ---</td> </tr> <tr> <td>1 PLACE</td> <td>± 0.25</td> <td>± ---</td> </tr> </table>		mm	INCH	4 PLACES	± ---	± ---	3 PLACES	± ---	± ---	2 PLACES	± 0.15	± ---	1 PLACE	± 0.25	± ---	DIMENSION STYLE <b>MM ONLY</b> DRAWN BY DATE DROSCA 2010/11/11 CHECKED BY DATE JCOMERC I 2010/11/11 APPROVED BY DATE JCOMERC I 2011/01/13	SCALE <b>4:1</b> DESIGN UNITS <b>METRIC</b> THIRD ANGLE PROJECTION	TITLE <b>EDGE LINE 12.5GB 200CKTS          0.062*PCB 0.8MM PITCH</b>
		mm	INCH																	
	4 PLACES	± ---	± ---																	
	3 PLACES	± ---	± ---																	
2 PLACES	± 0.15	± ---																		
1 PLACE	± 0.25	± ---																		
MATERIAL NO. <b>SEE SHEET 1</b>	DOCUMENT NO. <b>SD-76691-1200</b>	SHEET NO. <b>3 OF 5</b>																		
DRAFT WHERE APPLICABLE MUST REMAIN WITHIN DIMENSIONS	SIZE <b>C</b>	THIS DRAWING CONTAINS INFORMATION THAT IS PROPRIETARY TO MOLEX INCORPORATED AND SHOULD NOT BE USED WITHOUT WRITTEN PERMISSION																		

# MODULE EDGE CARD CONTACT DETAIL

SIDE 1



Note:

These are generic details that describe the configuration of various PCB design elements. The customer must determine where and when to use each element to accommodate their specific application.\*

SEE SHEET 1 EC NO: UCP2011-2702 DRW: DROSCA 2011/03/23 CHKD: JCOMERCI 2011/03/28 APPR: JCOMERCI 2011/03/28	QUALITY SYMBOLS ▽=0 ▽=0	GENERAL TOLERANCES (UNLESS SPECIFIED)		DIMENSION STYLE <b>MM ONLY</b>	SCALE 10:1	DESIGN UNITS METRIC	THIRD ANGLE PROJECTION	
		4 PLACES ± --- ± ---	mm INCH	DRAWN BY DROSCA	DATE 2010/11/11	TITLE EDGELINE 12.5GB 200CKTS 0.062"PCB 0.8MM PITCH		
		3 PLACES ± --- ± ---		CHECKED BY JCOMERCI	DATE 2010/11/11	MOLEX MOLEX INCORPORATED		
		2 PLACES ± 0.15 ± --- 1 PLACE ± 0.25 ± --- ANGULAR ± 1/2°		APPROVED BY JCOMERCI	DATE 2011/01/13	MATERIAL NO. SEE SHEET 1	DOCUMENT NO. SD-76691-1200	SHEET NO. 4 OF 5
DRAFT WHERE APPLICABLE MUST REMAIN WITHIN DIMENSIONS		THIS DRAWING CONTAINS INFORMATION THAT IS PROPRIETARY TO MOLEX INCORPORATED AND SHOULD NOT BE USED WITHOUT WRITTEN PERMISSION						

