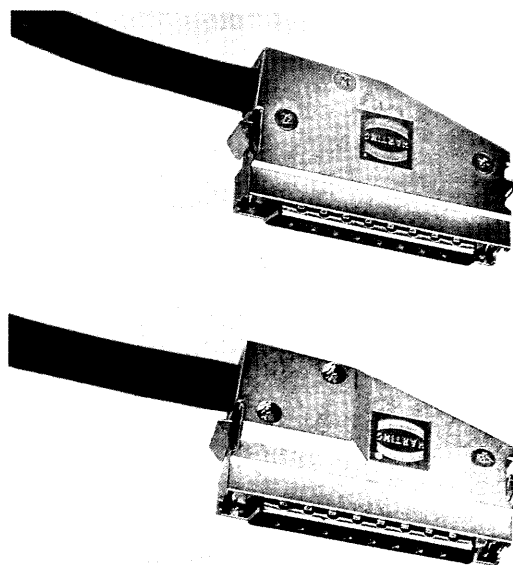


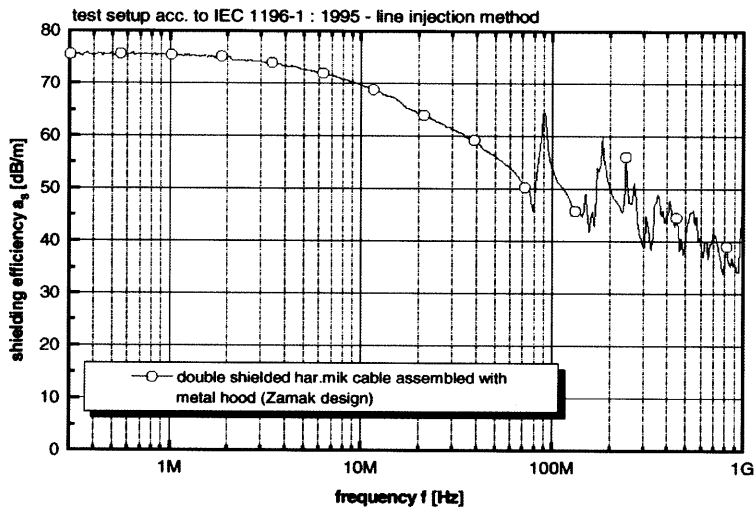
har-mik[®] METAL HOODS

- Right angle side entry.
- Latches system.
- 20, 26, 50 and 68 ways.
- One large 68 way cable entry.



CHARACTERISTICS

- Materials:
 - Shell: Zinc Die Cast
 - Latches: steel
- Shell Coating: Nickel over copper.
- Temperature range: -55°C +125°C.



FEATURES

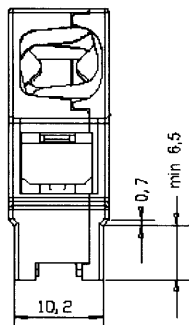
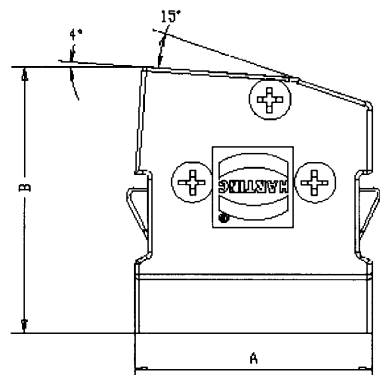
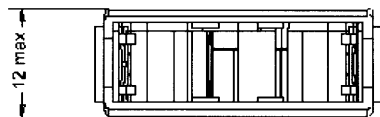
BENEFITS

- New built-in shell cable clamp design
- Made of two die cast shells
- Spring latch locking system

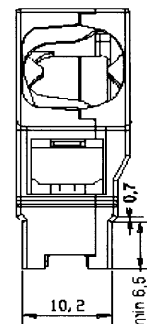
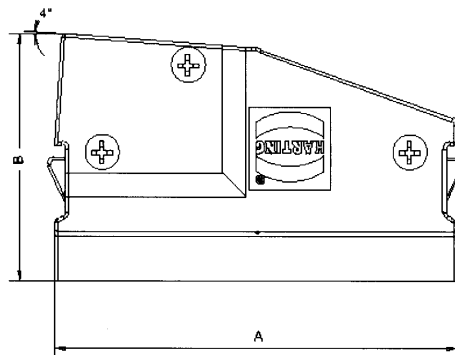
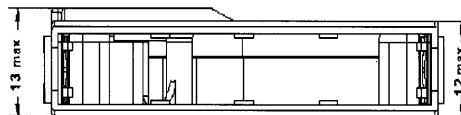
- Cable retention force above 133 N
- 360° shielding efficiency
- Simplify cable braid installation
- Excellent mechanical strength.
- Easy plug removal with secure connection

Identification	Number of contacts	Part number
Standard cable entry	20	60 03 020 0555
Standard cable entry	26	60 03 026 0555
Standard cable entry	50	60 03 050 0555
Standard cable entry	68	60 03 068 0555
Large cable entry	68	60 03 068 0655

DIMENSIONS



20, 26, 50, 68 poles hood



68 poles wide hood

Part numbers	A	B
60 03 020 0555	29,0	32,9
60 03 026 0555	32,8	32,9
60 03 050 0555	48,0	35,6
60 03 068 0555	59,4	35,6
60 03 068 0655 (wide)	59,4	35,6