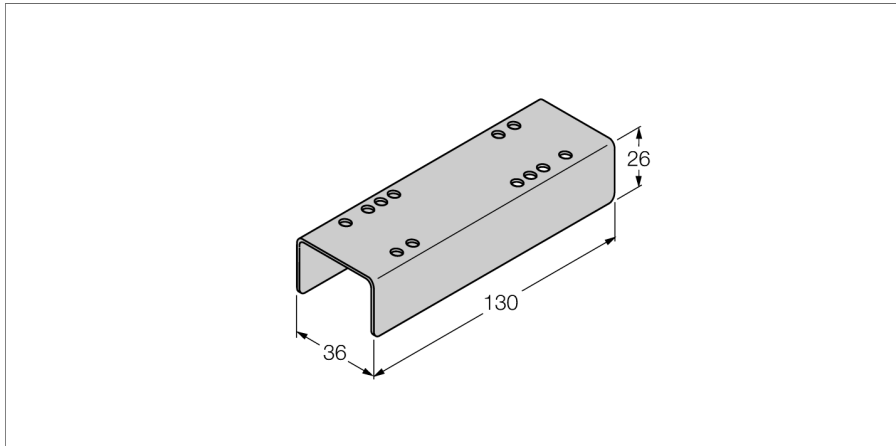


**Protective housing
for mounting in zone 2
IMC-SG**



**Protective housing
for mounting in zone 2
IMC-SG**

Dimensions

Type code	IMC-SG
Ident no.	7560016
Weight	174 g

