

# Product Information



## 8478UFD100P62

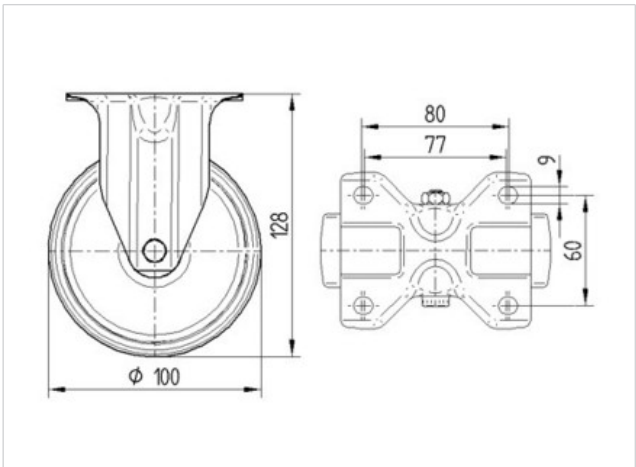
EAN 4031582347128

Fixed castor, Fork made of Stainless Steel, wheel axle with nut, plate fitting.

Wheel centre made of Polyamide, Tread: elastic-tyre, non-marking, roller bearing, stainless

Technical Data	
Wheel diameter	100 mm
Width of Tread	34 mm
Size of Plate	100 x 85 mm
Plate hole centres	80/77 x 60 mm
Plate hole	9 mm
Overall height	128 mm
Temperature	- 20 / + 80 °C
Standard	EN 12532
Weight	0.567 kg
Hardness of tread	A 64 Shore
Load capacity	160 kg
Load capacity (static)	320 kg

Roll performance	+	+	+	+	+
Movement noise	+	+	+	+	+
Attrition	+	+	+	+	+
Corrosion resistance	+	+	+	+	+





## 8478UFD100P62

EAN 4031582347128

