

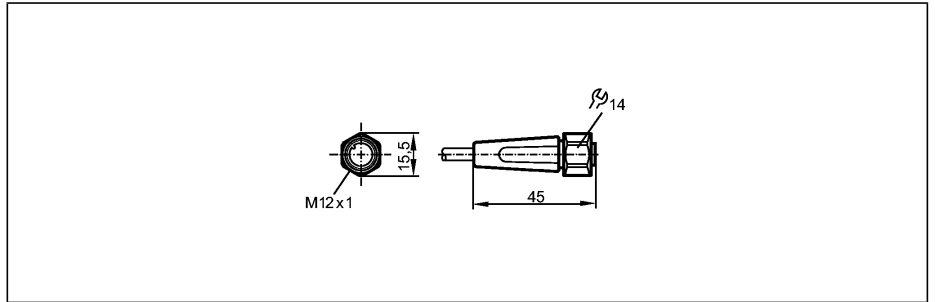
Connection technology

**EVT064**

ADOGH040VAS0002E04  
Socket

For sensors with  
M12 connector

Free from silicone  
gold-plated contacts



Made in Germany

For hygienic and wet areas in the food industry



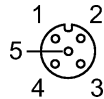
| Electrical design                      |      |
|--|------|
| Operating voltage                      | [V]  |
| Current rating                         | [A]  |
| Design                                 |      |
| Ambient temperature                    | [°C] |
| Protection                             |      |
| Material body                          |      |
| Material nut                           |      |
| Tightening torque for knurled nut [Nm] |      |
| Connection                             |      |
| Sheath colour                          |      |
| Weight                                 | [kg] |
| Remarks                                |      |

| AC/DC  |  |
|--|--|
| 250 AC / 300 DC  |  |
| 4  |  |
| straight   |  |
| -25...100 *)   |  |
| IP 67 / IP 68 / IP 69K, II   |  |
| housing: PVC orange; sealing: EPDM                                     |  |
| stainless steel 316L / 1.4404  |  |
| 0.6...1.5  |  |
| PVC cable / 2 m;<br>4 x 0.34 mm <sup>2</sup> (42 x Ø 0.1 mm); Ø 4.9 mm |  |
| orange   |  |
| 0.09   |  |
| *) cRUus: max. 50 °C   |  |

**Wiring**

Core colours

- BK black
- BN brown
- BU blue
- WH white



- 1 ————— BN
- 2 ————— WH
- 3 ————— BU
- 4 ————— BK