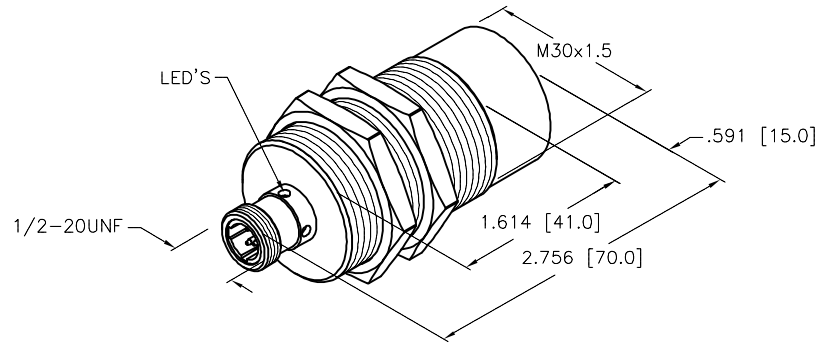


SPECIFICATIONS	
RATED OPERATING DISTANCE	15mm = .591"
MOUNTING MODE	NON-FLUSH
TEMPERATURE DRIFT	≤±10%
HYSTERESIS	3-15%
MIN. REPEAT ACCURACY	≤2%
OPERATING TEMPERATURE	-25°C to +70°C (-13°F to +158°F)
RATED OPERATIONAL VOLTAGE	20-250 VAC
RESIDUAL RIPPLE	≤ 10%
RATED OPERATIONAL CURRENT	≤ 500 mA
FREQUENCY	40-60 Hz
RESIDUAL CURRENT	≤ 1.7 mA
RATED INSULATION VOLTAGE	≤ 1.5 kV
SURGE CURRENT	≤ 8.0 A (≤ 10 ms MAX. 5 Hz)
SHORT-CIRCUIT PROTECTION	NO
MAX. VOLTAGE DROP	≤ 6.0 V
WIRE BREAKAGE PROTECTION	INCORPORATED
REVERSE POLARITY PROTECTION	INCORPORATED
MAX. SWITCHING FREQUENCY	≤ 0.02 kHz
SMALLEST OPERATING CURRENT	≥ 3.0 mA
OUTPUT FUNCTION	2-WIRE, NORMALLY OPEN
HOUSING MATERIAL	BRASS, CHROME-PLATED
ACTIVE FACE MATERIAL	PLASTIC, PBT
CONNECTION	1/2-20UNF CONNECTOR
VIBRATION RESISTANCE	55 Hz (IN ALL 3 PLANES)
SHOCK RESISTANCE	30 g, 11 ms
DEGREE OF PROTECTION	IP67
SWITCHING STATUS INDICATION	LED, RED



SOURCE DRAWING - FOR REFERENCE ONLY

RELATED DOCUMENTS 1. 2. 3. 4.	3RD ANGLE PROJECTION 	THIS DRAWING IS CONFIDENTIAL AND THE PROPERTY OF TURCK INC. USE OF THIS DOCUMENT WITHOUT WRITTEN PERMISSION IS PROHIBITED.		3000 CAMPUS DRIVE MINNEAPOLIS, MN 55441 1-800-544-7769 (763) 553-7300 (763) 553-0708 fax turck.com	
	MATERIAL	ALL DIMENSIONS DISPLAYED ON THIS DRAWING ARE FOR REFERENCE ONLY	DRFT SWC APVD	DATE 11/16/93 SCALE 1=1.5	DESCRIPTION NI15-G30-AZ3X-B3131
FINISH	CONTACT TURCK FOR MORE INFORMATION	UNIT OF MEASUREMENT INCH [MILLIMETER]		IDENTIFICATION NO. T1306090	REV E
E UPDATE LED SWITCHING INDICATION COLOR REV DESCRIPTION	KMY BY 05/17/13 DATE 42291 ECO NO.	DO NOT SCALE THIS DRAWING		FILE: T1306090	SHEET 1 OF 1

E	UPDATE LED SWITCHING INDICATION COLOR	KMY	05/17/13	42291
REV	DESCRIPTION	BY	DATE	ECO NO.