

# Standard terminal blocks

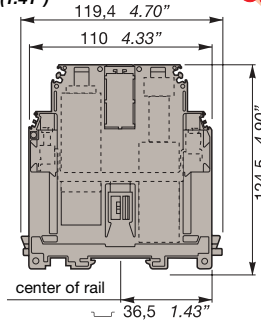
## Compression clamp

DIN 3

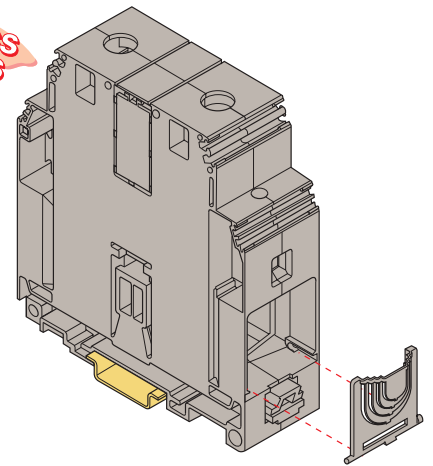
### D 240/36.D10

**IN PROGRESS  
CONSULT US**

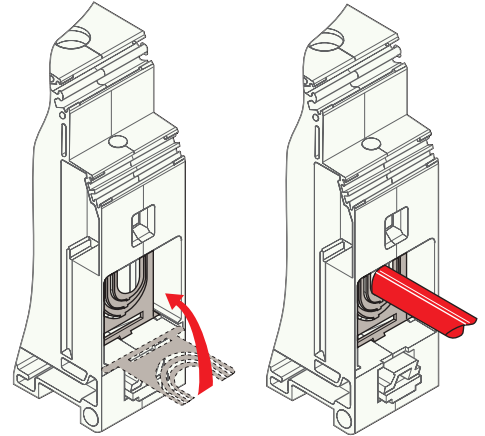
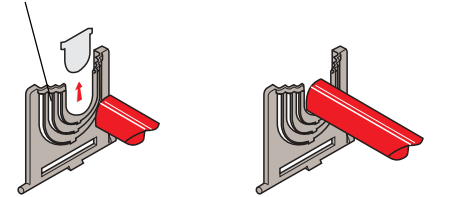
Spacing 36 mm (1.41")



Standard 36 mm block. Delivered with end plate and 10 mm<sup>2</sup> (6 AWG) output.



Partition to cut to fit the wire diameter.



End stop		th. 12 mm	BADH	V2	0116 900.27
End stop		th. 9,1 mm	BAMH	V2	0114 836.00
End stop		th. 9,1 mm	BAMH V0	V0	0194 836.01
Rail		35 x 7,5 x 1	PR3.Z2		0174 300.17
Rail		35 x 15 x 2,3	PR4		0168 500.12
Rail		35 x 15 x 1,5	PR5		0168 700.22

Other end stops, rails and accessories : see section on accessories.

## Notes

- \* In the wire entry :  
- Accessory CPBP2 needed  
- IP10 without the accessory.

Colour	Type	Part numbers
--------	------	--------------

Grey	D 240/36.D10	0399 704.12
Blue	D 240/36.D10.N	0399 706.14
Green/Yellow	D 240/36.D10.PI	0399 705.13

## Characteristics

	Wire size	IEC		UL/CSA pending
		NFC	DIN	
Main circuit	Solid wire	50-300 mm <sup>2</sup>		0 AWG-600 MCM
Comp. clamp	Stranded wire	35-240 mm <sup>2</sup>		2 AWG-500 MCM
Output	Solid wire	0,5-16 mm <sup>2</sup>		
Comp. clamp	Stranded wire	0,5-10 mm <sup>2</sup>		18-6 AWG

## Voltage

Rated	1000 V	600 V
Pulse	8 kV	
Pollution degree	3	

## Current Rated

Main circuit	415 A	400 A
Output	57 A	70 A

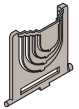
## Wire size Rated / Gauge

Main circuit	240 mm <sup>2</sup> / B14	500 MCM
Output	10 mm <sup>2</sup> / B14	6 AWG

	Wire strip. length	Outil de serrage	Recomm. torque	Protection
Main circuit	35 mm	10 mm Allen Key	14-30 Nm	IP 20 *
	1.37"	0.39"	124-260 lb.in	
Output	12 mm	Screwdriver Ø 4 mm	1,2-1,4 Nm	
	0.47"		10.6-12.3 lb.in	

## Accessories

- Jumper bar not assembled
- IP20 cover



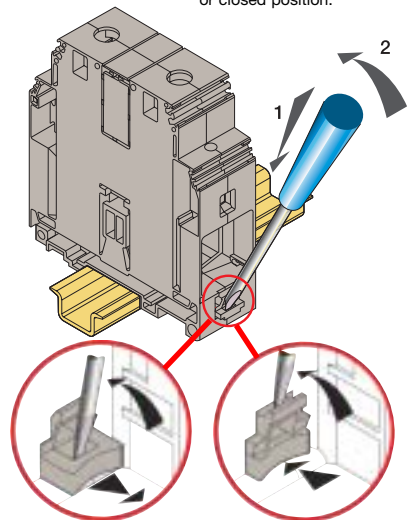
2

Type	Part numbers
------	--------------

CPBP2	Consult us 0399 787.05
-------	---------------------------

## Locking foot operating with screwdriver DIA. 4

Sideopening "bistable action". The locking foot remains in open or closed position.



Unlocking

Locking



R

R See section on markers marking method

RC1010	(26)	(17)	(11)	(10)	(6)	(3)
--------	------	------	------	------	-----	-----