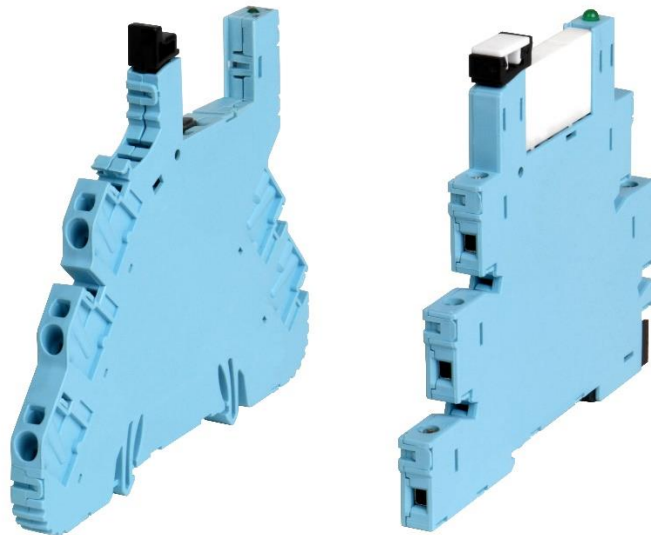


RS PRO Interface Relays

RS Stock No.: 2824459, 2824461, 2824462, 2824463, 2824464, 2824470, 2824471, 2824472, 2824473, 2824474

Features

- Available with screw terminals or push-in terminals
- Wide range of nominal voltages
- Relay module up to 6A 250 V
- LED status indication
- Works with AC or DC



RS Professionally Approved Products bring to you professional quality parts across all product categories. Our product range has been tested by engineers and provides a comparable quality to the leading brands without paying a premium price.

Product Description

Interface relays are generally used in a wide variety of application, typically used for the transmission of digital signals to other components such as PLCs. The interface relays are available with screw terminals and push-in terminals which are easier to use and save time on wiring.

Electrical Specifications

Coil voltage	Available in 12V,24V, 48V, 110-125V and 220-240V
Maximum contact load AC	6A/250VAC
Maximum contact load DC	60/30VDC
Rated current	6A
Inrush current	15A for 2.5ms
Contact type	SPDT
Recommended minimum contact load	10 mA / 5 V
Coil resistance	12VDC - 848Ω 24VDC - 3390Ω 48VDC - 10600Ω 60VDC - 16600Ω

Mechanical Specifications

Mechanical endurance (cycles)	$\geq 1\,000\,000$
Electrical endurance at rated load AC-1 (cycles)	$\geq 10\,000$
contact material	AgSnO ₂

General Specifications

Ambient temperature storage (no ice)	-40 ... 85 °C
Ambient temperature operation	-40 ... 70 °C
Pick-up time / bounce time	7 ms / ≤ 8 ms

Release time / bounce time	15 ms / \leq 4 ms
Conductor cross section screw terminal	2.5 mm ²
Mounting	TH 35 (EN 60715)
Weight	30 g
Housing material	PA
Terminal types	Screw and push-in
Dimensions (Screw terminals)	Length – 89mm Width - 6.2mm Height – 73mm
Dimensions (push-in terminals)	Length – 97.5mm Width – 6.2mm Height – 76.9mm

Protection Category

Protection category	IP20
---------------------	------

Classification

eCl@ss (Version)	
UNSPSC (Version)	

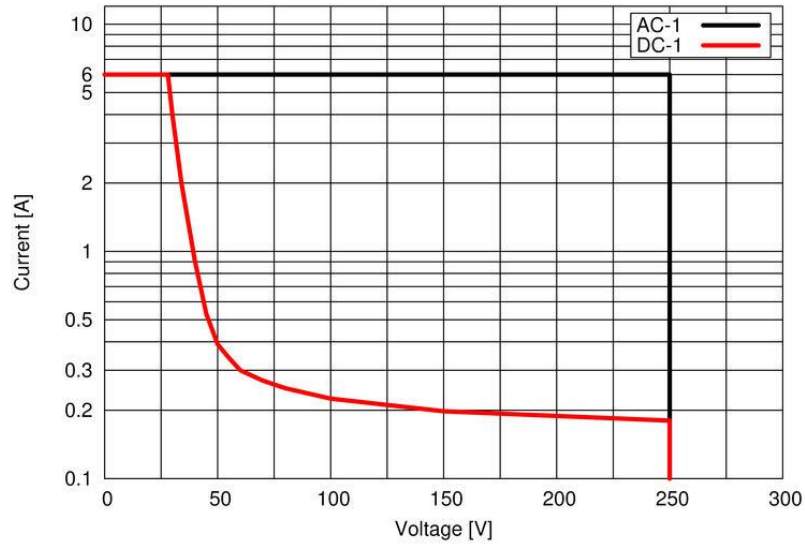
Approvals

Declarations	Lloyds Register Type Approval, cURus, EAC, CE
--------------	---

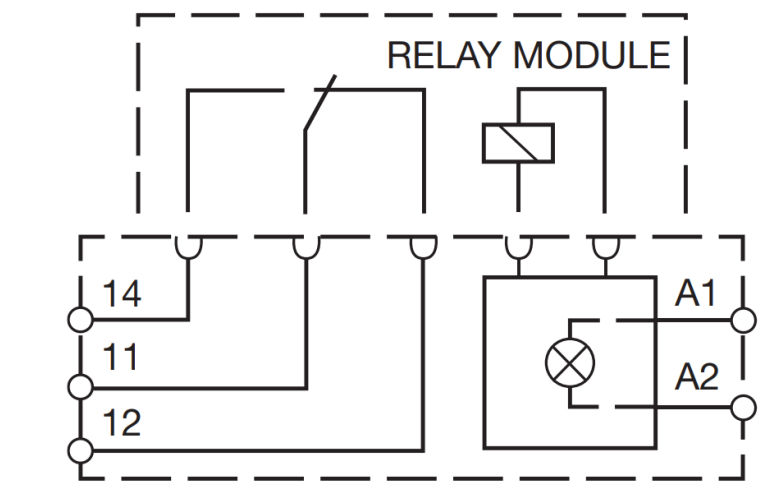
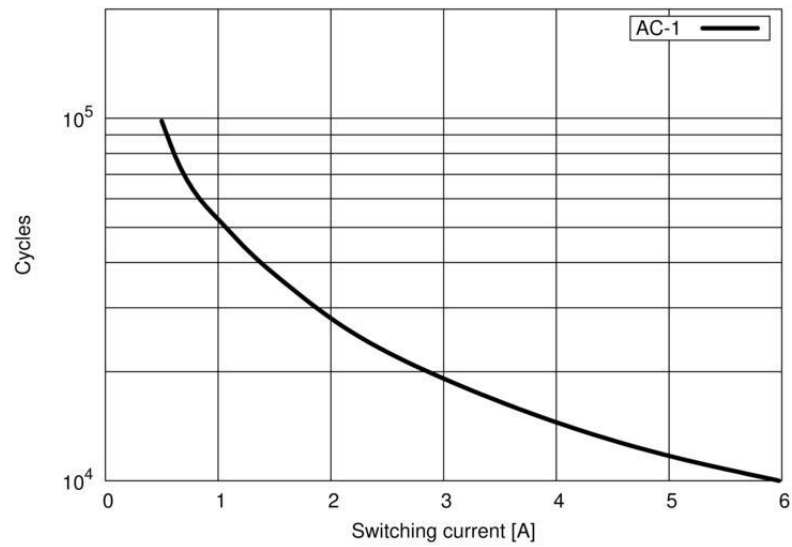
Similar Products

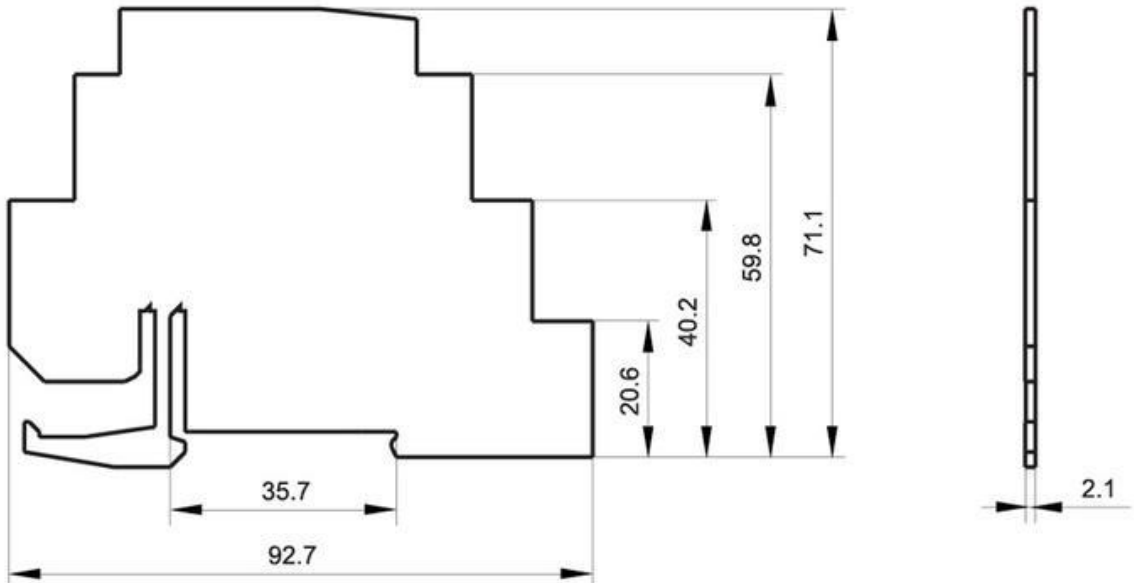
Stock No.	Brand	Product Name	Attribute 1	Attribute 2	Attribute 3
XXX-XXXX	RS PRO				
XXX-XXXX	RS PRO				

DC load limit curve



AC voltage endurance





Connection Diagrams / Assembly Diagrams / Illustrations / Accessories