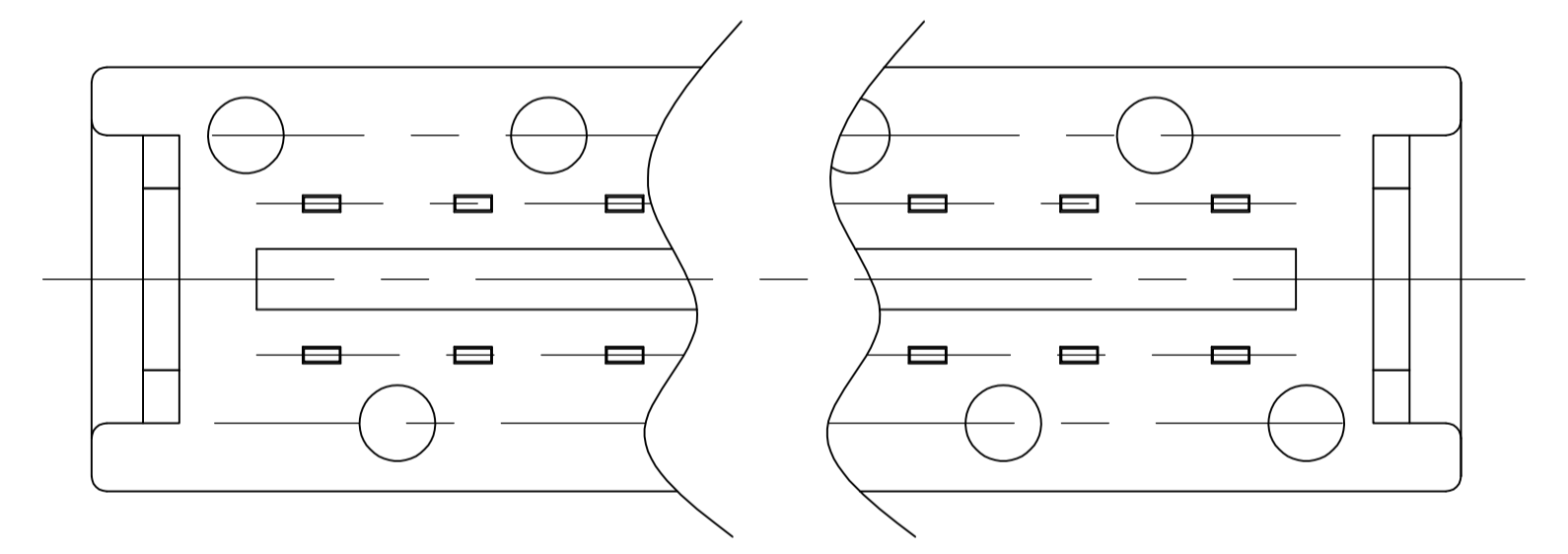
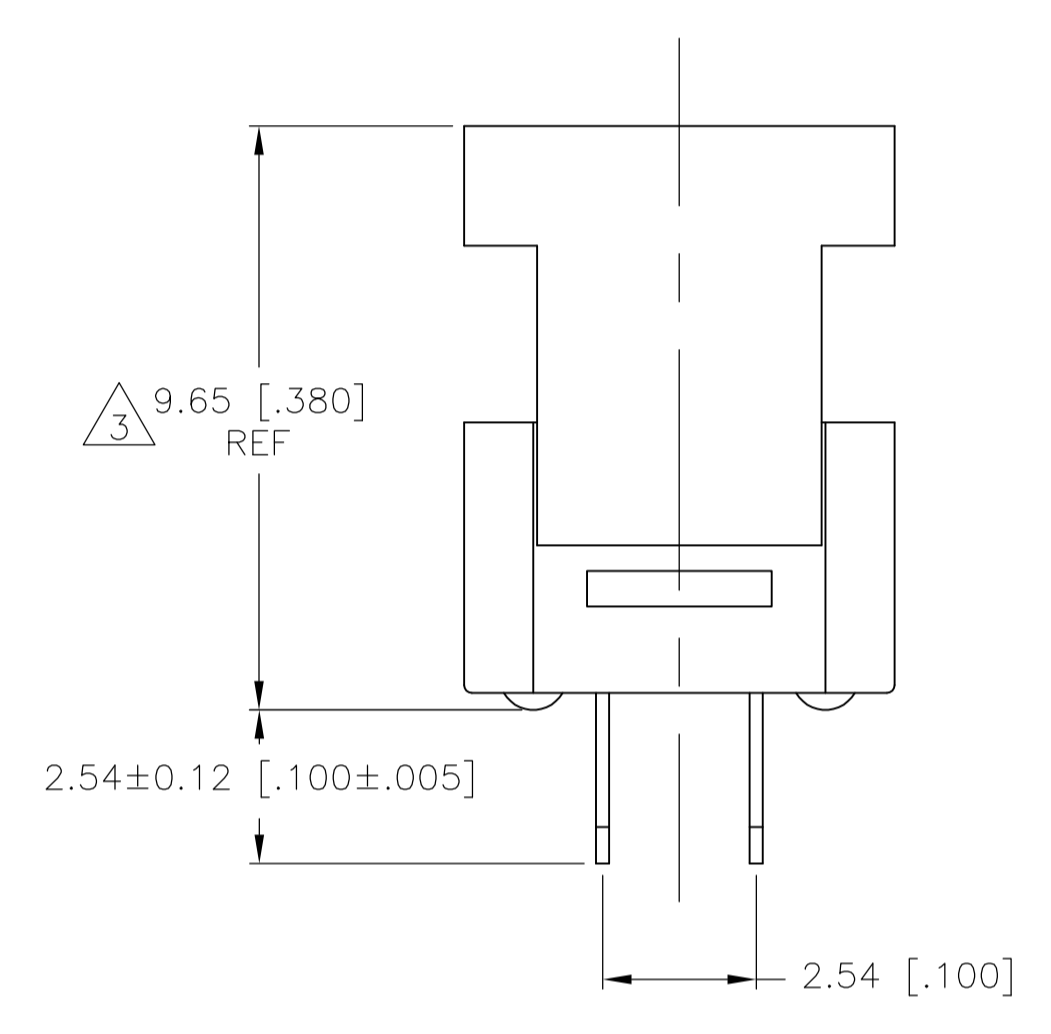
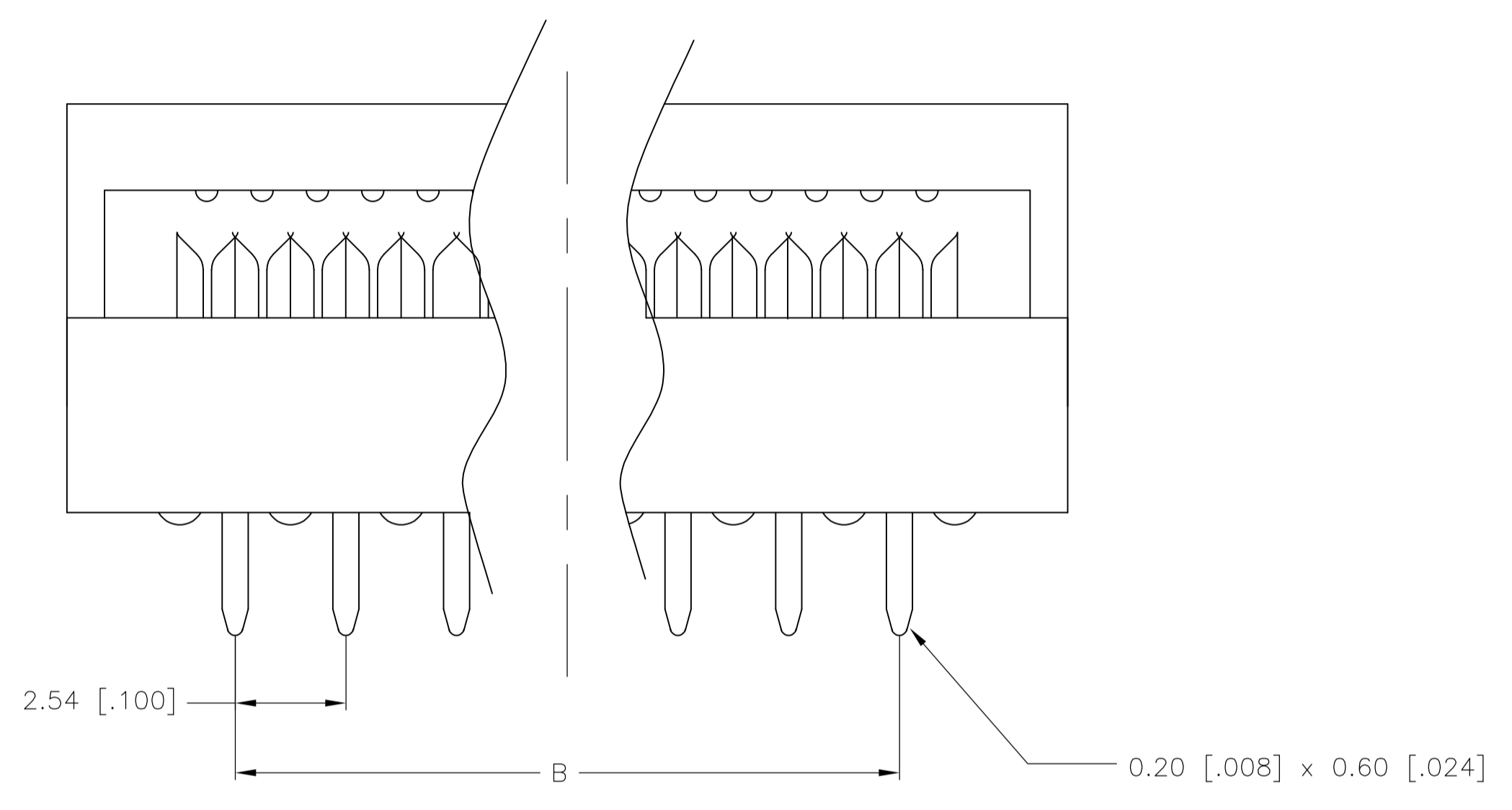
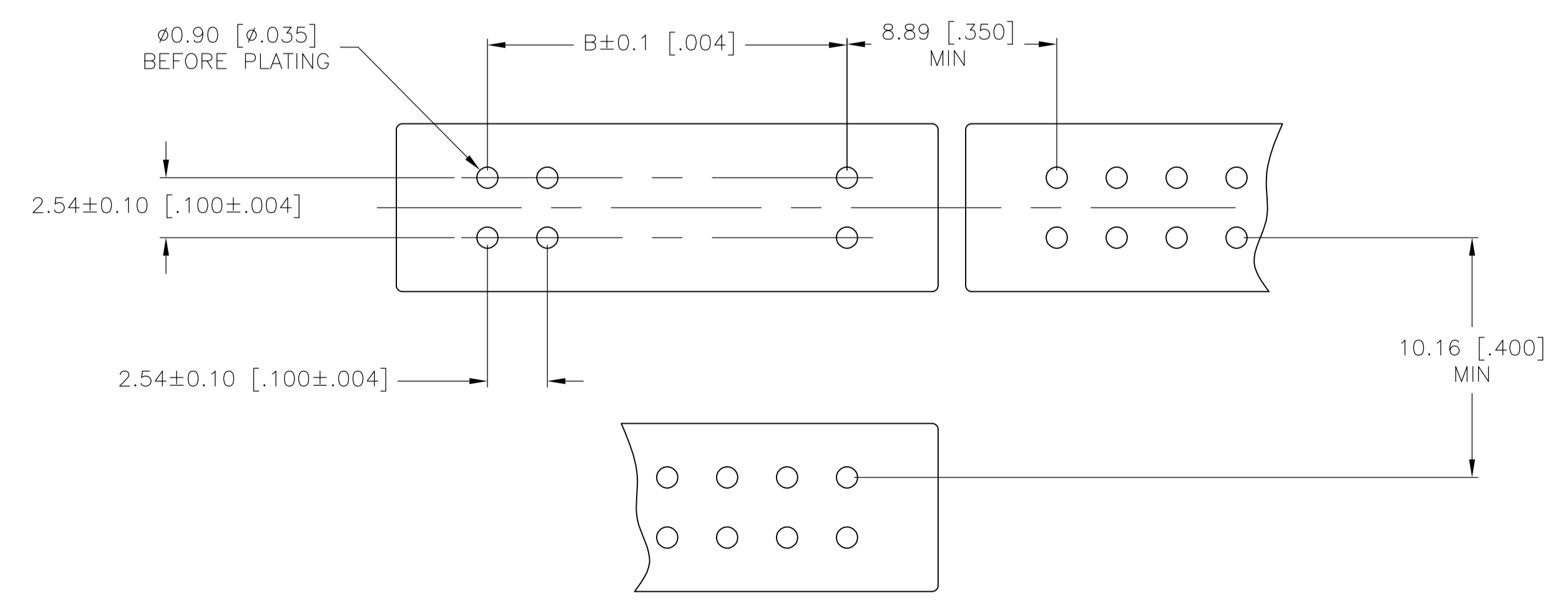


- 1 MATERIAL:  
HOUSING AND COVER: GLASS-REINFORCED POLYESTER, UL 94-V0, BLUE.  
CONTACT: BERYLLIUM COPPER.
- 2 FINISH:  
CONTACT: 3um [.000118] MIN TIN OVER 1.27um [.000050] MIN NICKEL.
- 3 HEIGHT AFTER CRIMPING = 7.6±0.25(.301±.010).
- 4 COMPANY LOGO IN APPROXIMATE AREA SHOWN.



ELECTRICAL PROPERTIES	
CURRENT RATING	1 AMP
INSULATION RESISTANCE	1 x 10 <sup>9</sup> OHMS @ 500 VDC
DWV:	>500 VOLTS RMS AT SEA LEVEL
ENVIRONMENTAL PROPERTIES	
TEMPERATURE RATING	-55°C TO +125°C



RECOMMENDED PC BOARD LAYOUT  
 SCALE 5:1

OBSOLETE	78.74	[3.100]	86.66	[3.412]	64	609-6453	3-1437006-9
OBSOLETE	73.66	[2.900]	81.58	[3.212]	60	609-6053	3-1437006-8
OBSOLETE	60.96	[2.400]	68.88	[2.712]	50	609-5053	3-1437006-3
OBSOLETE	48.26	[1.900]	56.18	[2.212]	40	609-4053	2-1437006-8
	40.64	[1.600]	48.56	[1.912]	34	609-3453	2-1437006-4
	30.48	[1.200]	38.40	[1.512]	26	609-2653	2-1437006-1
OBSOLETE	27.94	[1.100]	35.86	[1.412]	24	609-2453	1-1437006-7
	22.86	[.900]	30.78	[1.212]	20	609-2053	1-1437006-6
	17.78	[.700]	25.70	[1.012]	16	609-1653	1-1437006-3
	15.24	[.600]	23.16	[.912]	14	609-1453	1-1437006-0
	10.16	[.400]	18.08	[.712]	10	609-1053	1437006-7
	5.08	[.200]	13.00	[.512]	6	609-0653	1437006-4
	B	A	NO OF POSN	T&B P/N REF	PART NUMBER		

THIS DRAWING IS A CONTROLLED DOCUMENT.

DIMENSIONS: mm [INCHES]	TOLERANCES UNLESS OTHERWISE SPECIFIED:	DIN J. POLIGNONE 05OCT06	05OCT06	Tyco Electronics Corporation Harrisburg, PA 17105-3608
0 PLC ± -	1 PLC ± -	CHK C. ROHDE 05OCT06	05OCT06	
2 PLC ± -	3 PLC ± .005	APPV C. ROHDE 05OCT06	05OCT06	
4 PLC ± -	ANGLES ± °			

NAME: CONNECTOR ASSEMBLY PCB SOLDER TRANSITION, SLIMLINE

SIZE: A1 CAGE CODE: 00779 DRAWING NO: 1437006-4

WEIGHT: -

CUSTOMER DRAWING SCALE: 8:1 SHEET: 1 OF 1 REV: A