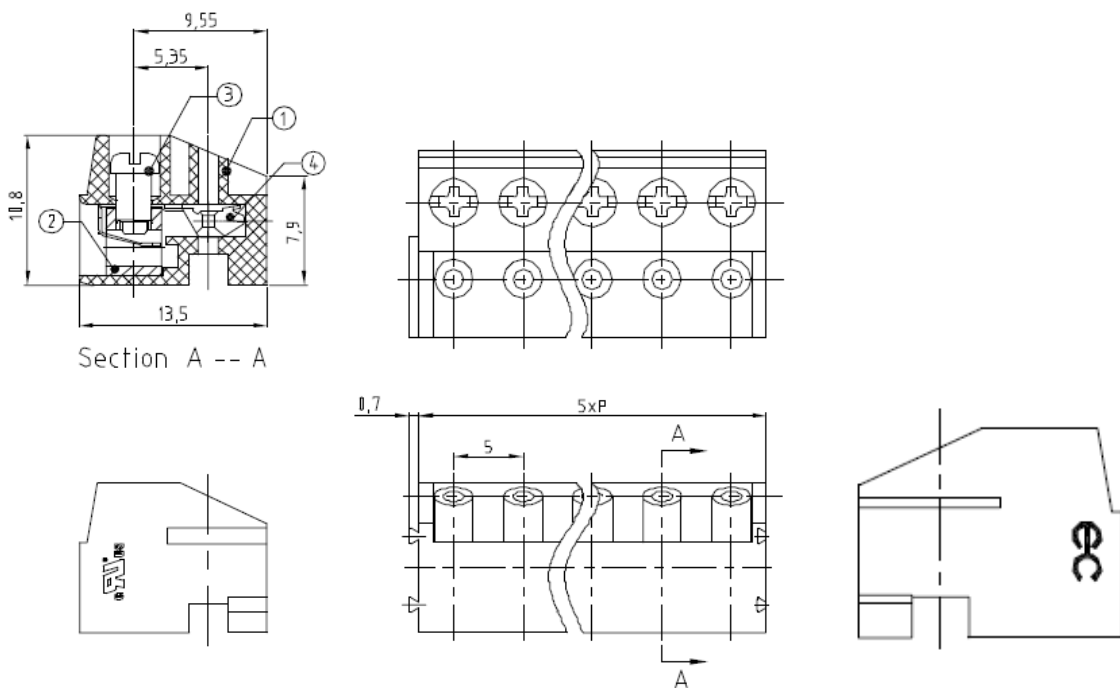


## Datasheet

# 3 way PCB mount pluggable screw terminal

RS Stock number [494-8861](#)

Drawing (mm):



### Specifications:

Conductor Area CSA: 1.5mm<sup>2</sup>

No. of Positions: 3

Pitch Spacing: 5mm

Rated Current: 17.5A

Rated Voltage: 250V

SVHC: No SVHC (17-Dec-2014)

Wire Connection Method: Screw

Wire Size AWG Max: 14AWG

Wire Size AWG Min: 20AWG