


VS-PPC-C1-RJ45-POBK-PG9-8Q5

Order No.: 1657834



RJ45 connector, IP67, with push/pull interlocking, plastic housing, 1 Gbps, 8-pos., QUICKON fast connection technology, for 26 ... 24 AWG 1-wire and 7-wire conductors



Commercial data	
EAN	4  046356 131902
Pack	1
Customs tariff	85366990
Gross weight in pieces	29.94 g
Country of Origin	DE
Catalog page information	Page 286 (PC-2011)

Product notes

WEEE/RoHS-compliant since: 01/03/2006



Please note that the data given here has been taken from the online catalog. For comprehensive information and data, please refer to the user documentation at <http://www.download.phoenixcontact.com>. The General Terms and Conditions of Use apply to Internet downloads.

Technical data

Mechanical characteristics	
Standard - Electrical safety	IEC PAS 61076-3-117
Number of positions	8
Connection profile	RJ45 8(8)
Locking type	Push Pull
Shielded	Yes

Insertion/withdrawal cycles	≥ 500
Connection method	IDC fast connection
Conductor cross section	0.13 mm ² ... 0.32 mm ² (solid)
	0.14 mm ² ... 0.36 mm ² (stranded)
Connection cross section AWG	26 ... 22 (solid)
	26 ... 22 (stranded)
External cable diameter	5 mm ... 8 mm
Cable exit	Straight
Color	black
Ambient temperature (operation)	-40 °C ... 70 °C

Material data

Inflammability class according to UL 94	V0
Housing material	PA-GF
Contact carrier material	PC
Contact material	Copper alloy
Contact surface material	Gold over nickel
Material	Plastic
Material, O-ring	NBR
Cable seal material	TPE
Material housing intermediate seal	NBR
Degree of protection	IP65/67

Electrical characteristics

Number of positions	8
Transmission characteristics (category)	CAT5 (IEC 11801:2002), CAT5e (TIA 568B:2001)
Rated current	1.75 A
Surge voltage category	I
Pollution degree	2

Certificates



Certification

cULus Recognized

Certifications applied for:

Certification Ex:

Accessories

Item	Designation	Description
------	-------------	-------------

Marking

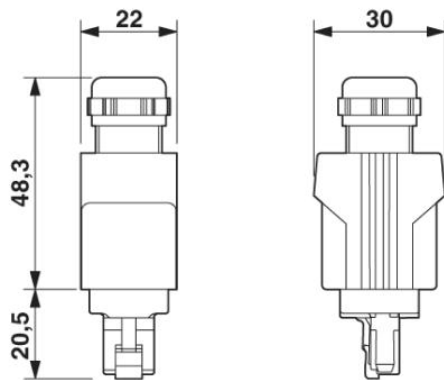
0814775	VS-ZBFM-8-SET	Set of marker labels, For terminal block width: 8.2 mm
---------	---------------	--

Tools

1657407	VS-CABLE-STRIP-VARIO	Stripping tool, for the multi-level stripping of shielded cables
---------	----------------------	--

Drawings

Dimensioned drawing



Push-pull RJ45 connector IP65/67

Address

PHOENIX CONTACT Ltd
Halesfield 13
Telford / Shropshire / TF7 4PG,England
Phone 01952 681 700
Fax 01952 681 799
<http://www.phoenixcontact.co.uk>



Phoenix Contact Ltd.
Technical modifications reserved;