

SACC-FR-4SC M SCO

Order No.: 1432622

<http://eshop.phoenixcontact.de/phoenix/treeViewClick.do?UID=1432622>

Sensor/actuator connector, socket, angled, 4-pos., M12 SPEEDCON, A-coded, spring-cage connection, metal knurl, cable diameter max. 8 mm

Commercial data	
GTIN (EAN)	4046356348140
sales group	D121
Pack	1 pcs.
Customs tariff	85366990
Weight/Piece	0.0265 KG
Catalog page information	Page 44 (PC-2009)

Product notes

WEEE/RoHS-compliant since:
03/06/2008



<http://www.download.phoenixcontact.com>
Please note that the data given here has been taken from the online catalog. For comprehensive information and data, please refer to the user documentation. The General Terms and Conditions of Use apply to Internet downloads.

Technical data**General data**

Rated current at 40°C	4 A
Rated voltage	250 V
Number of positions	4
Volume resistance	≤ 8 mΩ

Insulation resistance	≥ 100 MΩ
General characteristics	
Standards/regulations	M12 male connector IEC 61076-2-101
Coding	A - standard
Surge voltage category	II
Pollution degree	3
Degree of protection	IP67
Contact material	CuSn
Contact surface material	Ni/Au
Contact carrier material	PA 66
Material of grip body	PA 66
Material, knurls	Nickel-plated brass
Sealing material	NBR
Type of connection	Spring-cage conn.
Conductor cross section stranded min.	0.14 mm ²
Conductor cross section stranded max.	0.5 mm ²
Conductor cross section AWG/kcmil min.	26
Conductor cross section AWG/kcmil max	20
External cable diameter	4 mm ... 8 mm
Status display	No

Certificates / Approvals



Certification CUL, UL

CUL

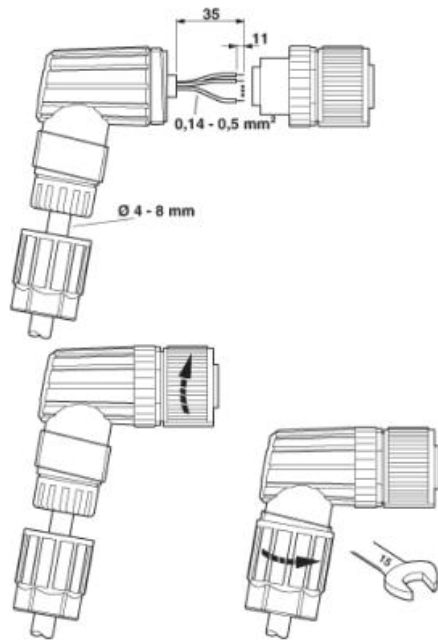
Nominal voltage U _N	300 V
Nominal current I _N	4 A

UL

Nominal voltage U _N	300 V
Nominal current I _N	4 A

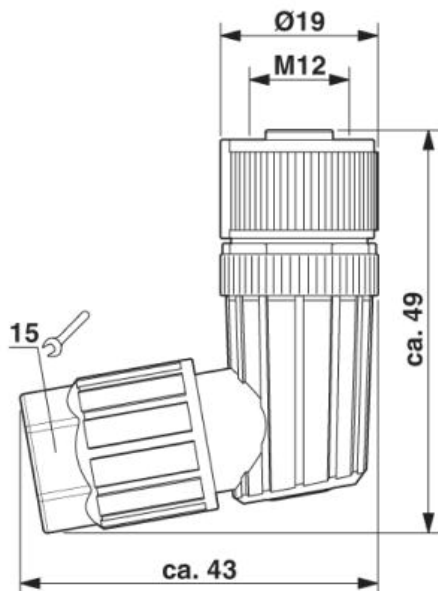
Diagrams/Drawings

Functional drawing



Stripping length 28 mm, for angled design 35 mm. Stripping the cable. Strip individual wires, slide the pressure nut onto the cable. Thread the wires through the housing and connect them. Screw the body of the connector onto the housing, tighten the pressure nut.

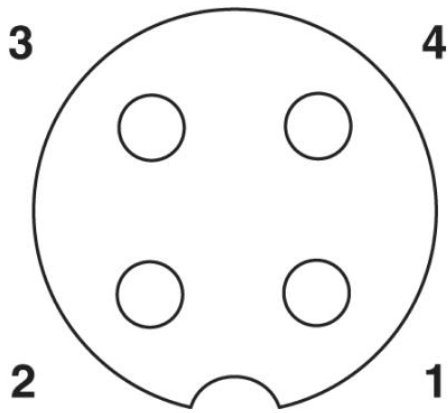
Dimensioned drawing



M12-SPEEDCON socket, angled

Schematic diagram

Pin assignment M12 socket, 4-pos., A-coded, view female side



Address

PHOENIX CONTACT Ltd
Halesfield 13
Telford Shropshire TF7 4PG,GB
Phone 01952 681 700
Fax 01952 681 799
<http://www.phoenixcontact.co.uk>



© 2010 Phoenix Contact
Technical modifications reserved;