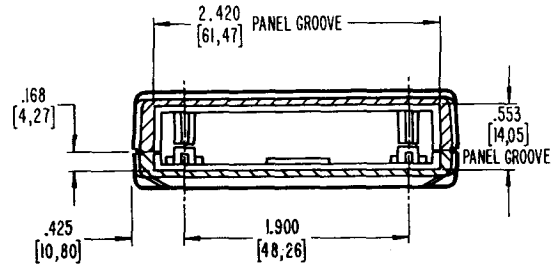


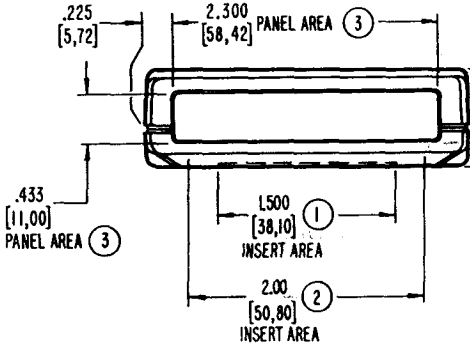
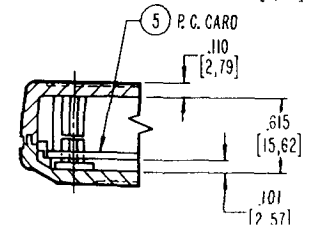
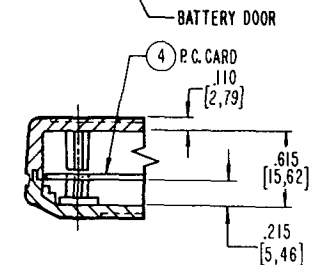
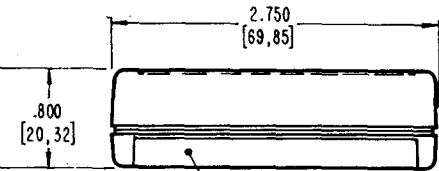
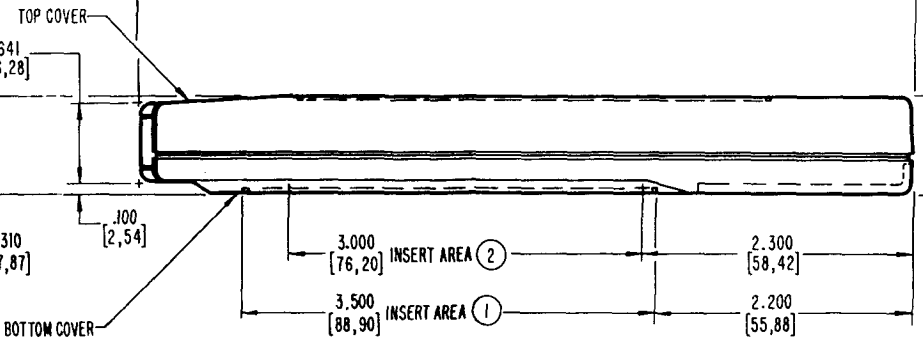
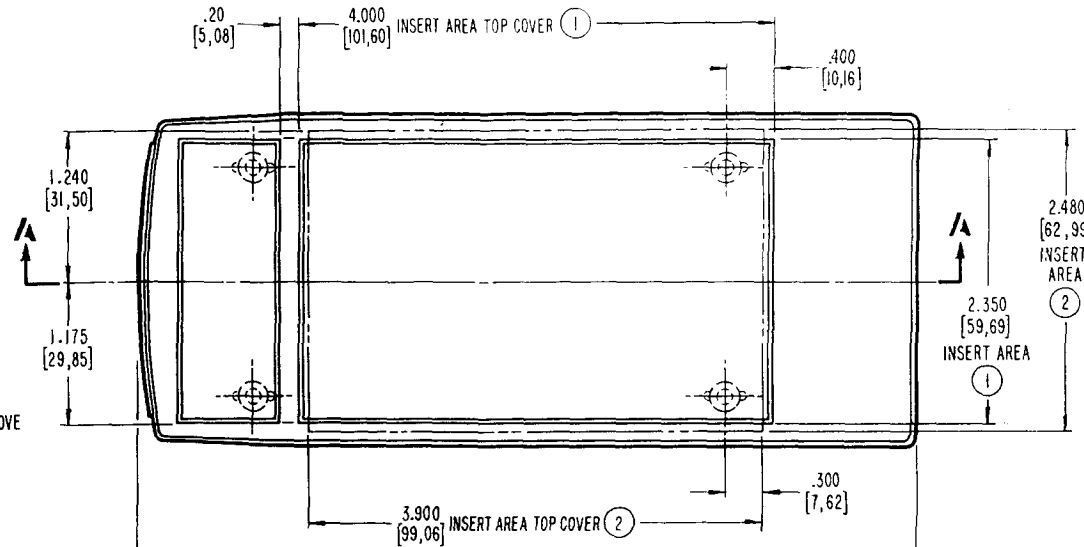
COLOR / MATERIAL CODE		
COLOR	94HB	94V0
BLACK	000	028
P.C.BONE	039	060



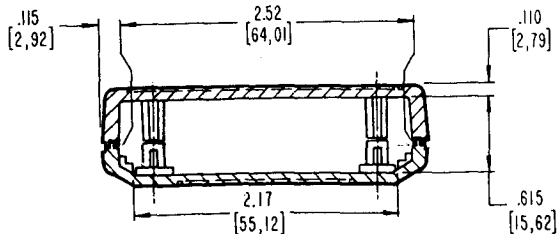
- ① EXTERIOR INSERT AREA, FOR IN MOLD MODIFICATION.
- ② INTERIOR INSERT AREA, FOR IN MOLD MODIFICATION.
- ③ USABLE PANEL AREA.
- ④ P.C. CARD - 4.75 L X 2.40 W X .062 THK.
[120,65] [60,96] [1,57]
- ⑤ P.C. CARD - 4.00 L X 2.36 W X .062 THK.
[101,60] [59,94] [1,57]



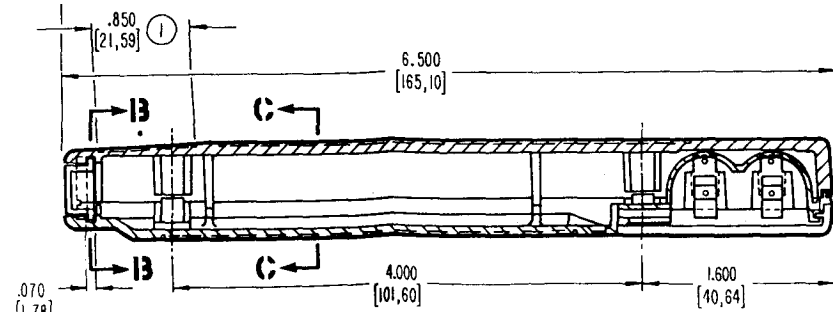
SECT. B-B



INSERT AREA



SECT. C-C



SECT. A-A

INCHES (MM)