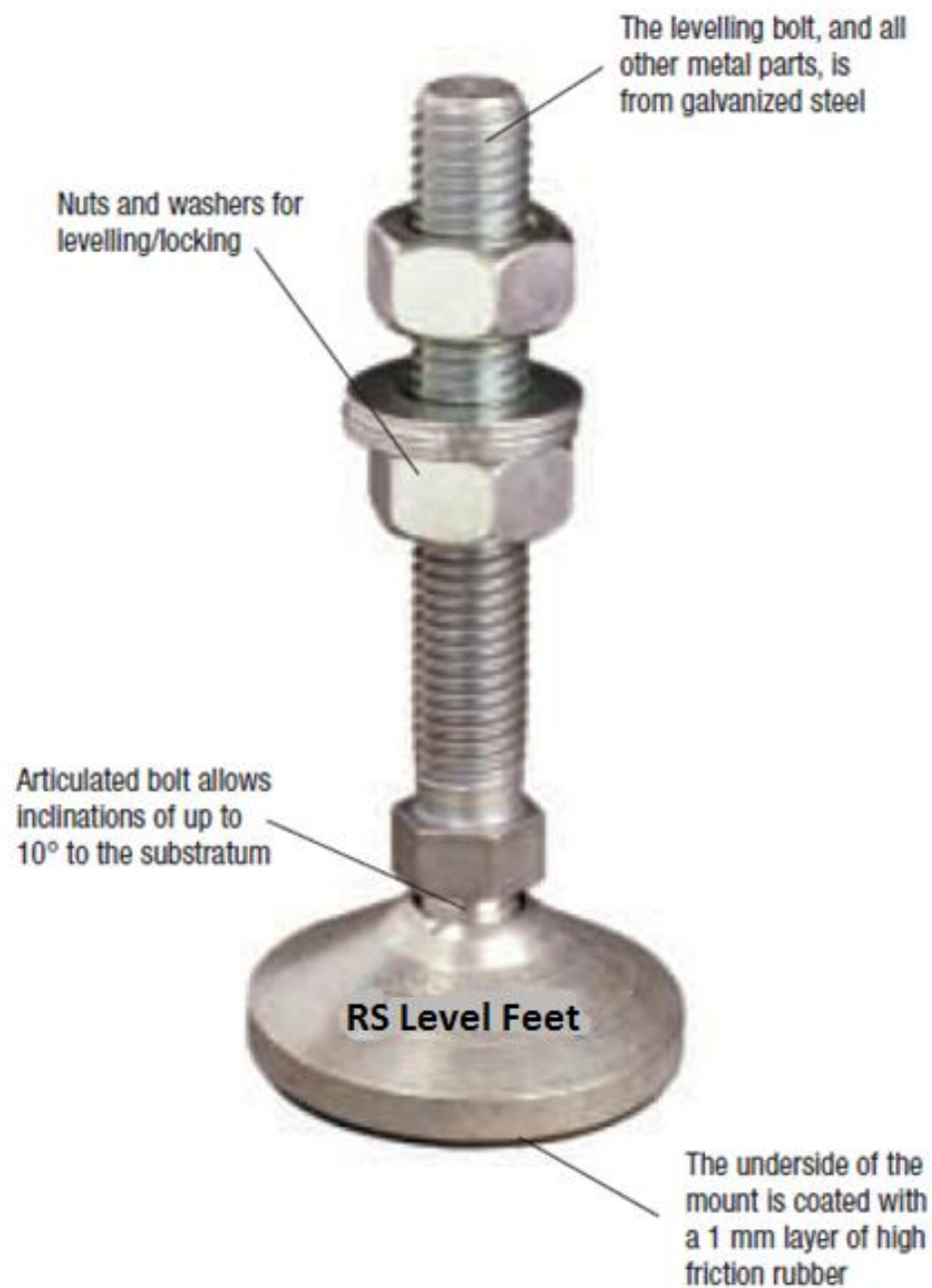


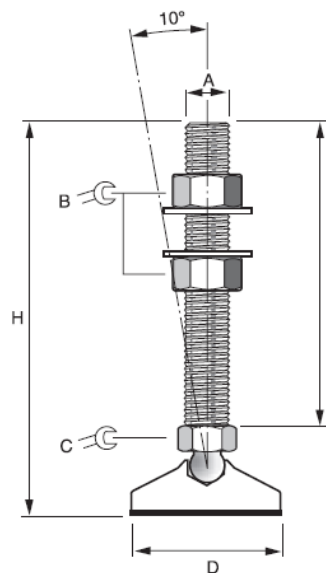
## Datasheet Galvanized steel level foot – M14x80

### Application areas

- *Lighter engineering machinery*
- *Equipment cabinets*
- *Office machines*
- *Domestic appliances*



- Withstands loads up to 2000 kg per machine mount
- Articulated bolt allows inclinations of up to 10° to the substratum
- With anti-slip protection for stable installation
- Made from galvanized steel



Max load per mount* daN (kg)	D mm	H mm	H mm	B mm	C mm	A** mm
2000	60	110	80	22	16	M14

This level foot is a machine mount that is specially designed to provide stable levelling of lighter equipment such as engineering machines, equipment cabinets, office machines and domestic appliances.

The level foot consists of a galvanized levelling screw with an articulated foot that allows inclinations of up to 10° to the substratum. The underside of the mount is coated with a thin friction mat of specially treated nitrile rubber that guarantees stable installation on most surfaces in normal conditions.