

Datasheet

Industrial Power Connector Adapter 2P+E Plug to 3x2P+E Socket Blue Rated At 16A,240 V

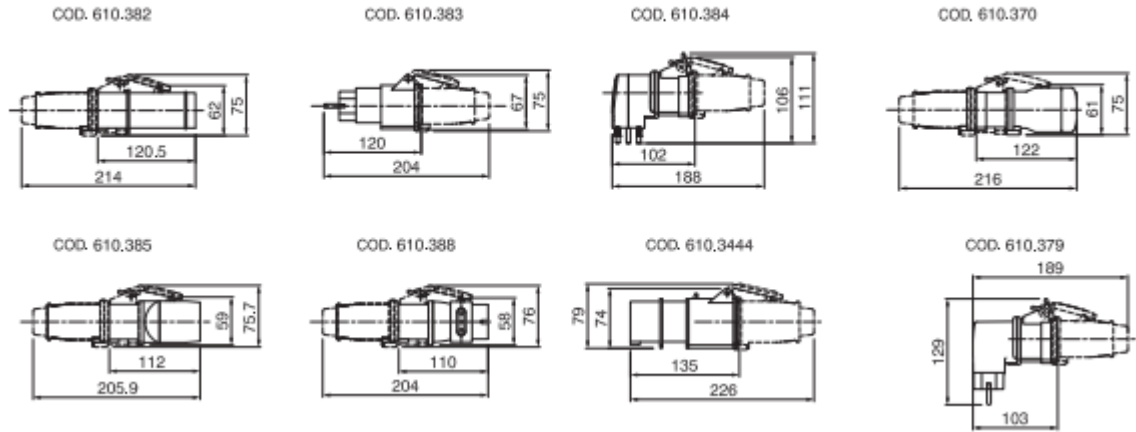
RS Stock number [533-7492](#)



Specifications:

| | |
|---|---------------------|
| Rated Current: | 16A-32A |
| Frequency: | 50Hz |
| Insulating Voltage: | 500/690V~ |
| Protection Degree: | IP20-IP44-IP66-IP67 |
| Operating Temperature: according to the standard | -25°C +40°C |
| Max. Operating Temperature: | 60°C |
| Glow Wire Test: | 650°C/750°C/850°C |
| Material: | Engineering Plastic |
| IK Degree at 20°C: | IK06 – IK09 |

ONE-WAY ADAPTORS



2-WAY ADAPTORS WITH INTERLOCKED SWITCH SOCKET OUTLETS

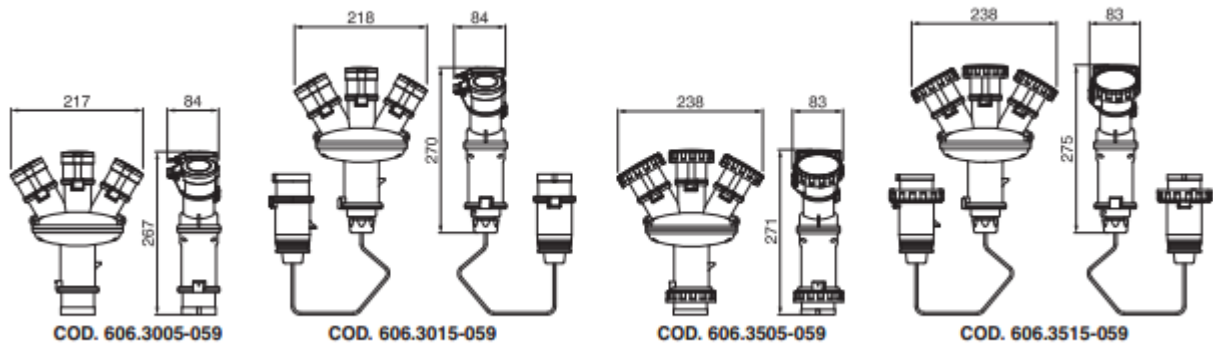
| 16A | A | B |
|-------------|-----|-----|
| 2P+E IP44 | 12 | 209 |
| 2P+E IP66 | 126 | 218 |
| 3P+E IP44 | 122 | 216 |
| 3P+E IP66 | 126 | 225 |
| 3P+N+E IP44 | 122 | 223 |
| 3P+N+E IP66 | 126 | 233 |

| 32A | A | B |
|-------------|-----|-----|
| 2P+E IP44 | 130 | 244 |
| 2P+E IP66 | 133 | 243 |
| 3P+E IP44 | 130 | 244 |
| 3P+E IP66 | 133 | 243 |
| 3P+N+E IP44 | 130 | 250 |
| 3P+N+E IP66 | 133 | 250 |

2-WAY ADAPTORS

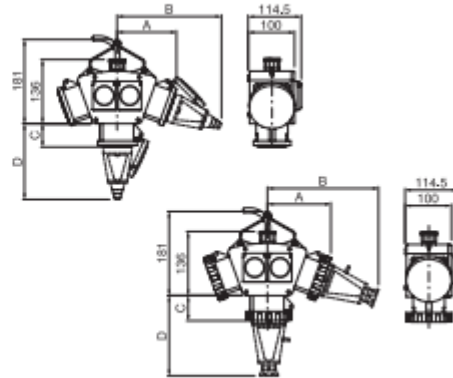
| | A | B | C | D |
|-------------|-----|-----|-----|----|
| 2P+E IP44 | 91 | 174 | 159 | 76 |
| 2P+E IP66 | 101 | 187 | 156 | 82 |
| 3P+E IP44 | 91 | 178 | 159 | 78 |
| 3P+E IP66 | 101 | 196 | 156 | 82 |
| 3P+N+E IP44 | 89 | 193 | 159 | 79 |
| 3P+N+E IP66 | 101 | 199 | 156 | 86 |

3-WAY ADAPTORS



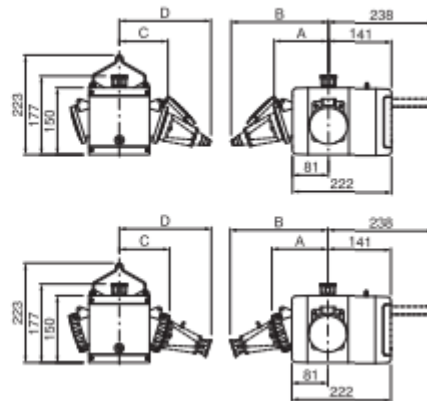
3/5-WAY ADAPTORS

| | 16A | | | | 32A | | | |
|-------------|-----|-----|----|-----|-----|-----|----|-----|
| | A | B | C | D | A | B | C | D |
| 2P+E IP44 | 120 | 200 | 45 | 137 | 130 | 232 | 55 | 174 |
| 2P+E IP66 | 123 | 205 | 46 | 141 | 136 | 230 | 56 | 163 |
| 3P+E IP44 | 120 | 203 | 45 | 141 | 130 | 232 | 55 | 174 |
| 3P+E IP66 | 124 | 215 | 46 | 151 | 136 | 230 | 56 | 163 |
| 3P+N+E IP44 | 120 | 223 | 45 | 160 | 130 | 240 | 55 | 181 |
| 3P+N+E IP66 | 126 | 220 | 46 | 154 | 138 | 240 | 56 | 171 |



3-WAY ADAPTORS WITH PROTECTION DEVICES

| | 16A | | | | 32A | | | |
|-------------|-----|-----|-----|-----|-----|-----|---|---|
| | A | B | C | D | A | B | C | D |
| 2P+E IP44 | 181 | 201 | 106 | 189 | 127 | 235 | / | / |
| 2P+E IP66 | 127 | 213 | 115 | 201 | 132 | 230 | / | / |
| 3P+E IP44 | 118 | 205 | 106 | 193 | 127 | 235 | / | / |
| 3P+E IP66 | 127 | 222 | 115 | 210 | 132 | 230 | / | / |
| 3P+N+E IP44 | 116 | 220 | 104 | 208 | 135 | 250 | / | / |
| 3P+N+E IP66 | 127 | 225 | 115 | 213 | 132 | 236 | / | / |



4-WAY ADAPTORS

| | 16A | | | | 32A | | | |
|-------------|-----|-----|-----|-----|-----|-----|---|---|
| | A | B | C | D | A | B | C | D |
| 2P+E IP44 | 118 | 201 | 106 | 189 | 127 | 235 | / | / |
| 2P+E IP66 | 127 | 213 | 115 | 201 | 132 | 230 | / | / |
| 3P+E IP44 | 118 | 205 | 106 | 193 | 127 | 235 | / | / |
| 3P+E IP66 | 127 | 222 | 115 | 210 | 132 | 230 | / | / |
| 3P+N+E IP44 | 116 | 220 | 104 | 208 | 135 | 250 | / | / |
| 3P+N+E IP66 | 127 | 225 | 115 | 213 | 132 | 236 | / | / |

