

PLEASE CHECK WWW.MOLEX.COM FOR LATEST PART INFORMATION

Part Number: **501646-3800**
Status: **Active**
Overview: iGrid™ Wire-to-Board Dual-Row System
Description: 2.00mm Pitch iGrid™ Wire-to-Board Housing, Dual Row, Positive Lock, 38 Circuits

Documents:

[3D Model](#) [Product Specification PS-501646-001 \(PDF\)](#)
[Drawing \(PDF\)](#) [RoHS Certificate of Compliance \(PDF\)](#)

Agency Certification

UL E29179

General

Product Family Crimp Housings
 Series [501646](#)
 Application Signal, Wire-to-Board
 Overview [iGrid™ Wire-to-Board Dual-Row System](#)
 Product Name iGrid™
 UPC 822350087278

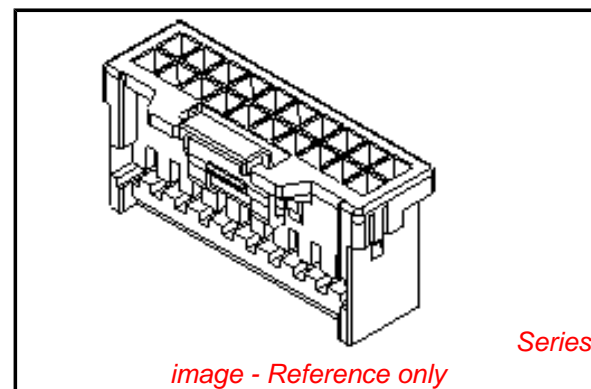
Physical

Circuits (maximum) 38
 Color - Resin Natural
 Flammability 94V-0
 Gender Female
 Glow-Wire Compliant No
 Lock to Mating Part Yes
 Material - Resin Nylon
 Net Weight 1060.000/mg
 Number of Rows 2
 Packaging Type Bag
 Panel Mount No
 Pitch - Mating Interface 2.00mm
 Polarized to Mating Part Yes
 Stackable No
 Temperature Range - Operating -25°C to +85°C

Material Info

Reference - Drawing Numbers

Product Specification PS-501646-001, RPS-501646-001, RPS-501646-002, RPS-501646-003, RPS-501646-004, RPS-501646-005, RPS-501646-006, RPS-501646-007, RPS-501646-008, RPS-501646-016, RPS-503091-001
 Sales Drawing SD-501646-001



EU RoHS

ELV and RoHS Compliant
REACH SVHC Contains SVHC: No
Low-Halogen Status Low-Halogen

China RoHS



Need more information on product environmental compliance?

Email productcompliance@molex.com
 For a multiple part number RoHS Certificate of Compliance, [click here](#)

Please visit the [Contact Us](#) section for any non-product compliance questions.

Search Parts in this Series

[501646Series](#)

Mates With

[501645 Vertical Header](#) . [501876 Right Angle Header](#)

Use With

[501647 22-26 AWG Terminal](#) . [501648 26-28 AWG Terminal](#)