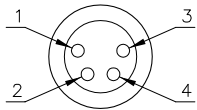
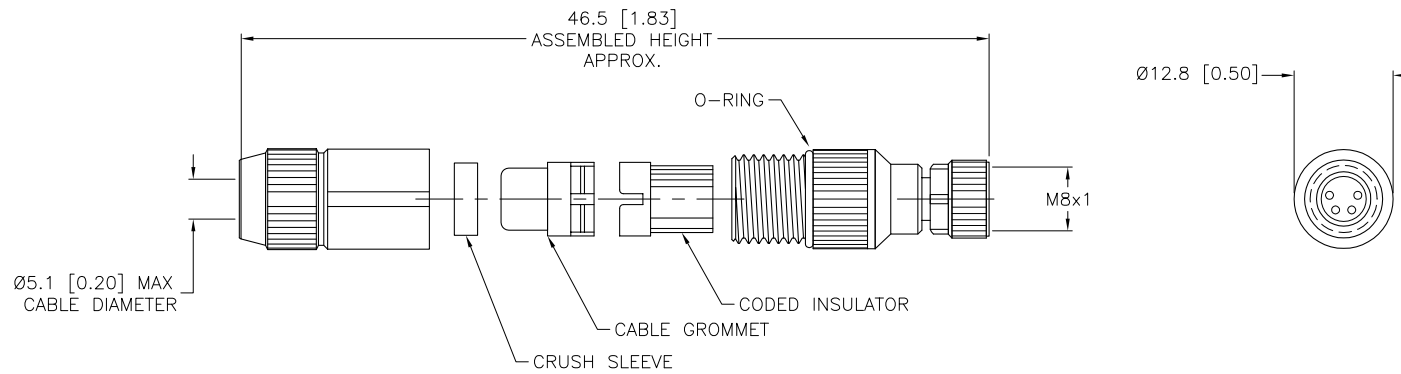


FEMALE END VIEW



SPECIFICATIONS

CONTACT MATERIAL/PLATING	BRASS/GOLD
COUPLING NUT MATERIAL/PLATING	BRASS/NICKEL
RATED CURRENT [A]	4.0 A
RATED VOLTAGE [V]	32 V
MAXIMUM WIRE SIZE	18 AWG
CABLE GRIP RANGE	4-5.1mm
TEMPERATURE RATING	-40°C to +85°C (-40°F to +185°F)
PROTECTION CLASS	IEC IP67
WIRE TERMINATION	PIERCING BLADE



SOURCE DRAWING - FOR REFERENCE ONLY

RELATED DOCUMENTS		3RD ANGLE PROJECTION		THIS DRAWING IS PROPERTY OF TURCK INC. USE OF THIS DOCUMENT WITHOUT WRITTEN PERMISSION IS PROHIBITED.		TURCK INC High Technology Sensors and Automation Controls 3000 CAMPUS DRIVE MINNEAPOLIS, MN 55441 1-800-544-7769 (763) 553-7300 (763) 553-0708 fax turck.com	
1.			ALL DIMENSIONS DISPLAYED ON THIS DRAWING ARE FOR REFERENCE ONLY	DRFT	JBJ	DATE	06/18/01
2.				DSGN		SCALE	1=1.0
3.				UNIT OF MEASUREMENT		IDENTIFICATION NO.	REV
4.			CONTACT TURCK FOR MORE INFORMATION	MILLIMETER [INCH]		U6579-1	C
MATERIAL	SEE SPECIFICATIONS			DO NOT SCALE THIS DRAWING		FILE: U6579-1	SHEET 1 OF 1
FINISH	SEE SPECIFICATIONS						

C	UPDATE COUPLING NUT	RDS	03/16/09	25453
REV	DESCRIPTION	BY	DATE	ECO NO.