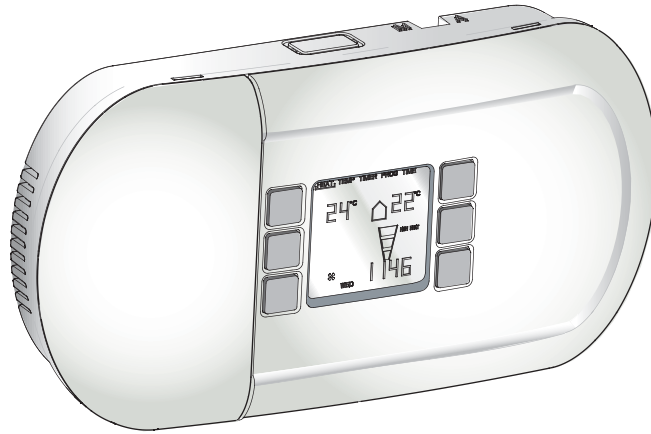
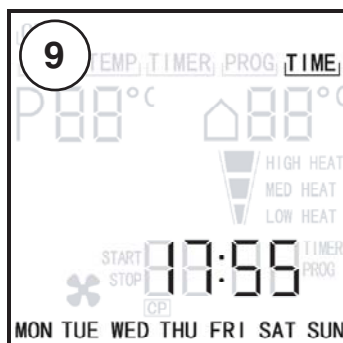
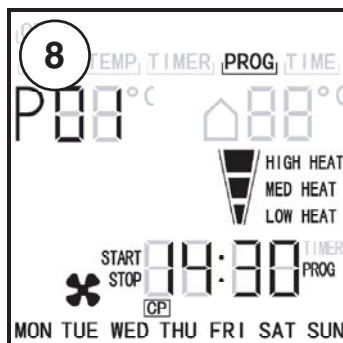
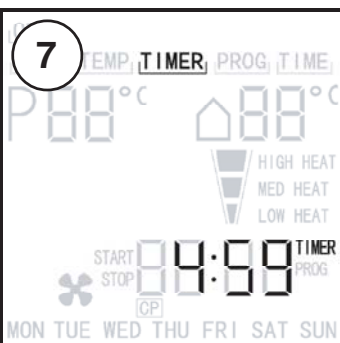
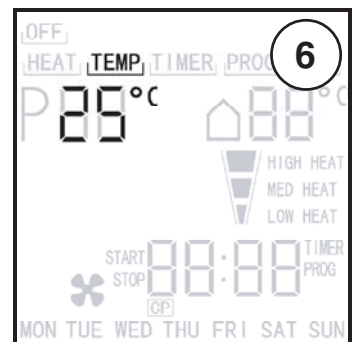
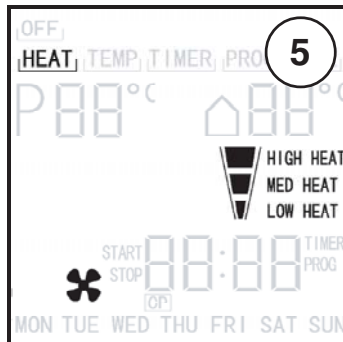
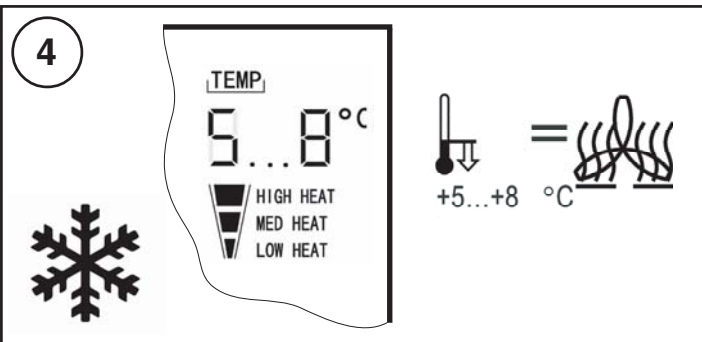
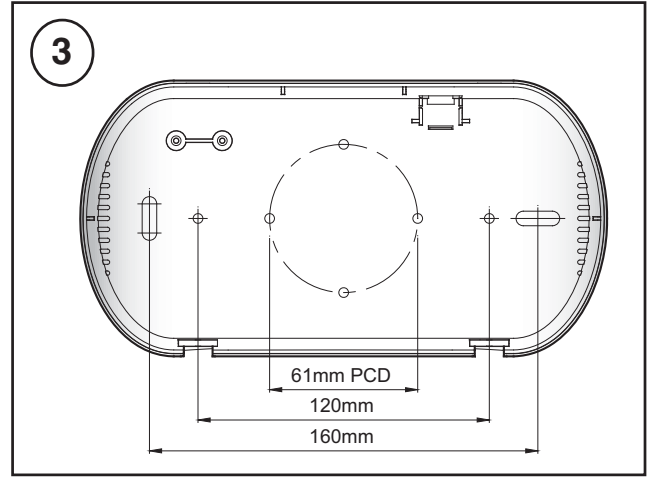
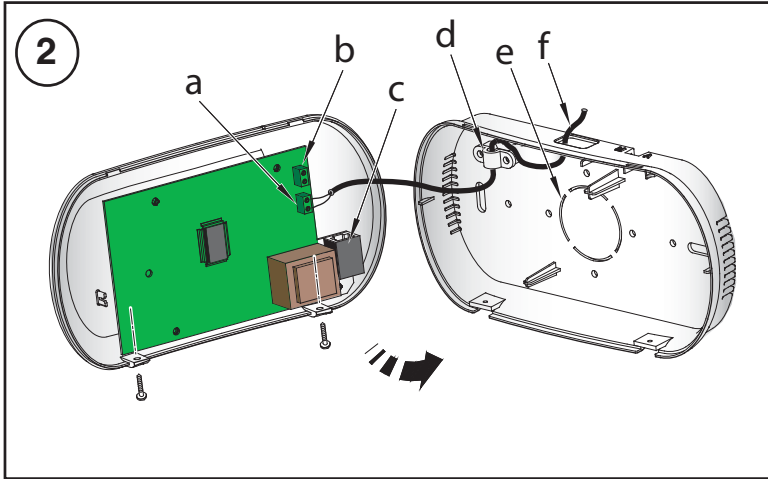
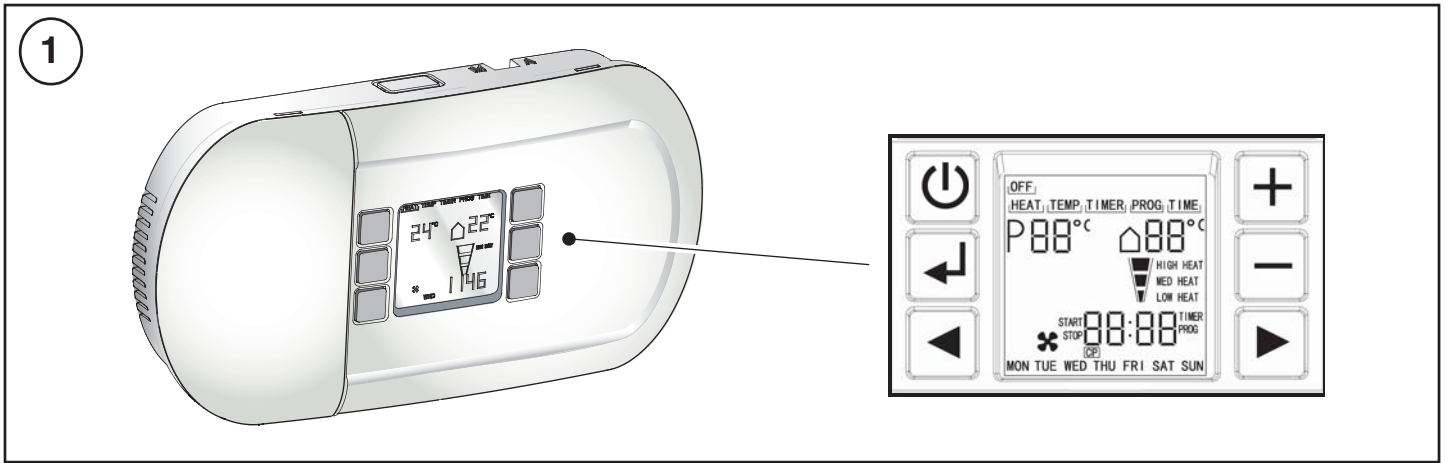


Dimplex



CFCH Electronic Control Panel



Dimplex Industrial Fan Heater

Electronic Control Panel : CFCH

IMPORTANT: THESE INSTRUCTIONS SHOULD BE READ CAREFULLY AND RETAINED FOR FUTURE REFERENCE

IMPORTANT SAFETY ADVICE

Always disconnect the supply before working on the Heater.
This product should be mounted safely onto a suitable wall.
The Control Panel may only be operated when mounted horizontally on a wall.
The Control Panel should not be installed in a toilet or washroom.
The Control Panel is not suitable for ceiling mounting.
Ensure that cables are of adequate current carrying capacity.
WARNING: Isolate electrical supply to ALL modular linked units when carrying out maintenance.

General

The CFCH control panel is an electronic controller for use with the electronic range of Dimplex Heaters. This control panel has a number of integrated features such as, heat selection, timer, programming and frost protection. Connectivity between heater and control panel is achieved using LAN (Local Area Network) cable i.e. CAT5, CAT5E or CAT6, pin configuration is straight through 1 to 1. This eases installation and improves reliability considerably.

Electrical Connection - see Fig. 2.

The control panel must be supplied at terminal block 'a' with a ~230-240V supply. The cable clamp 'd' is provided to ensure the mains cable 'f' (at least 2G x 0.75mm²) is secure. The LAN cable connecting the heater to the control panel is fed to socket 'c' in a similar way to the power cable.
Note: The control panel should be protected by a suitable fuse.

Installation

The control panel should be mounted in a convenient location away from direct sun light or draughty areas.

Surface Mounting

The control panel can be directly mounted onto a suitable wall. This is done by removing the back cover and using it as a guide to mark off the holes - see Fig. 3. Drill and plug the holes with suitable wall plugs. Remove one of the knockouts on either the top or the bottom to allow entry for the supply cables via surface trunking. Mount the back cover to the wall and feed supply cables through the trunking and into the back cover. Make the appropriate electrical and control connections to the PCB as discussed in the Electrical Connection section. Clip the front cover on and secure with the two screws provided in the direction shown in Fig. 2. Turn on the supply and check the control functions.

Surface Mounting to a Recessed Box

The control panel can also be mounted onto standard single gang and double gang backing boxes. The backing box (not supplied) should be already recessed into the wall. Remove the large knock-out in the back cover (see 'e' in Fig. 2) and secure it onto the backing box using the holes provided - see Fig. 3. Feed the supply cables through the recessed conduit into the recessed box and out into the back cover. Make the appropriate electrical and control connections as discussed in the Electrical Connection section. Clip the front cover on and secure with the two screws provided in the direction shown in Fig. 2. Turn on the supply and check the control functions.

Control Panel Power-up

When the controller is powered up for the first time, it will check if there are heaters connected and that they are operational. When this check is completed, an LED will light beside the screen (see Fig. 1) to show that the system is functioning. If the LED does not light, check the following;

- (1) The control panel is supplied with electrical power.
- (2) The heater is supplied with electrical power.
- (3) The LAN connection between the controller and the heater is working.

NOTE : The controller will also perform this check after a power cut.

CFCH Control Functions - see Fig. 1.

The LCD display shows the following functions:

Main menu points: **OFF, HEAT, TEMP, TIMER, PROG,** and **TIME.**

Desired room temperature in °C (thermostat function). Actual ambient room temperature in °C.

Selectable heat settings **COLD** (Fan only), **LOW HEAT, MEDIUM HEAT** and **HIGH HEAT.**

Time display in format hh:mm – shown as 24h

Weekdays **MON, TUE, WED, THU, FRI, SAT, SUN**

Stand-by mode: the display shows time, day and room temperature.

Note: If the control panel is connected to a heater with only two heat settings, LOW HEAT and MEDIUM heat will give the same output.

Short description of Menu functions

OFF: switching into stand-by mode.

HEAT: setting the desired heat position from cold to max heat setting.

TEMP: pre selection of the desired room temperature from 5°C to 35°C.

TIMER: selection of the run back timer function (from 1 minute to 4 hours 59 minutes). When the selected time is over the unit will be in stand-by mode.

PROG: selection of the programming mode. 32 individual programs can be entered. This is a weekly timer where all functions of the unit can be input and viewed.

TIME: setting the time and the weekdays.

Operation

With the unit plugged in, the heater can be switched on or into stand-by mode by pressing the 'stand-by' button - see Fig. 1 for Controls layout.

Heat settings (HEAT) - see Fig. 5.

Navigate the cursor to **HEAT** with the buttons. Press to change the heat setting between , **LOW HEAT, MEDIUM HEAT** and **HIGH HEAT.**

Thermostat (TEMP) - see Fig. 6.

Navigate the cursor to **TEMP** with the buttons. Press to set the desired ambient temperature between 5°C and 35°C and press the enter button. When the actual ambient temperature is higher than the set temperature, the heater switches into stand-by mode automatically until the actual room temperature falls below the thermostat setting.

Note: In order to switch off the heater, press the 'stand-by' button.

Runback timer (TIMER) - see Fig. 7.

Navigate the cursor to **TIMER** with the buttons.

Set the hours (0 to 4) with and press the enter button.

Then set the minutes (0 to 59) with and press the enter button.

The cursor must be positioned under the **TIMER** symbol (see Fig. 7) for the runback timer to operate using the pre-set heat setting (see **heat settings**). The heater will be switched into stand-by mode automatically when the pre-set time is over.

Please Note : The heater only operates as long as the desired room temperature is higher than the actual ambient temperature (see **Thermostat**). The runback timer continues working even if the heater has stopped heating up the room.

Program mode (PROG) - see Fig. 8

1. Navigate the cursor to **PROG** with the buttons and press enter. Choose a program number between 1 and 32 with the buttons and press enter.

2. Set the days with choosing either Single days, Monday until Friday, Saturday and Sunday or Monday until Sunday. Press the enter button to accept.

3. Set the program start time with and confirm the hours and minutes with the enter button.

4. Set the program stop time with and confirm the hours and minutes with the enter button.

Note: Always set start time before setting the stop time.

5. Set the desired ambient room temperature (thermostat setting) with **+** **-** and confirm with the enter button **↓**.
6. Set the heat setting between **☸** (fan only) / **LOW HEAT/ MEDIUM HEAT** and **HIGH HEAT** with the **+** **-** buttons and confirm with the enter button **↓**.
7. All settings for the first program are now done. Enter a new program according to the steps 1-6 or activate the already entered program by leaving this menu with the **◀** button.
8. In order to continuously run the entered program the cursor must be positioned under the **PROG** symbol. The heater will operate according to the entered information. When a program is running, the program number will appear with the pre-set and ambient temperatures **□** alternating.
9. An entered program can be checked, edited or deleted just by navigating into the **PROG** menu and pressing the enter button. With the **+** **-** buttons the different program numbers can be selected. When a program number is selected (flashing) the start/stop time will alternate according to any pre-entered information. To delete one program number, press the **▶** button. The **CP** symbol (clear program) appears and by pressing the enter button **↓** this program will be deleted.
◀ ▶ leaves the menu without deleting the program.

Time setting (TIME) - see Fig. 9.

Navigate the cursor to **TIME** with the **◀ ▶** buttons. Press the enter button **↓** to adjust the weekday with the **+** **-** buttons. Confirm with the enter button **↓** and set the hours and minutes with **+** **-**. Press the enter button **↓** or **▶** to leave the time menu.

Frost protection - see Fig. 4.

Choose a heat setting and set the desired ambient temperature between 5°C and 8°C (see 'Operation').

When the temperature falls below +5 °C...+8 °C, the heater switches on automatically.

Cleaning

WARNING : ALWAYS DISCONNECT FROM THE POWER SUPPLY BEFORE CLEANING THE HEATER

Do not use detergents, abrasive cleaning powders or polish of any kind on the Controller.

Wipe with a dry cloth to remove dust and a damp cloth (not wet) to clean off stains. Be careful not to allow moisture into the Controller.

Use a vacuum cleaner to remove any fluff which accumulates on top of the Controller.

Care must be taken to avoid any moisture ingress into the product.

Recycling



For electrical products sold within the European Community. At the end of the electrical products useful life it should not be disposed of with household waste. Please recycle where facilities exist. Check with your Local Authority or retailer for recycling advice in your country.

After Sales Service

Your product is guaranteed for one year from the date of purchase.

Within this period, we undertake to repair or exchange this product free of charge (excluding element & subject to availability) provided it has been installed and operated in accordance with these instructions.

Your rights under this guarantee are additional to your statutory rights, which in turn are not affected by this guarantee.

Should you require after sales information or assistance with this product please go to www.dimplex.co.uk where you will find our self help guide by clicking on "After Sales" or ring our helpdesk on 0845 600 5111 (UK) or 01 842 4833 (R.O.I.) .

Spare parts are also available on the website

www.dimplex.co.uk

Please retain your receipt as proof of purchase.

Dimplex UK Ltd.
Millbrook House
Grange Drive
Hedge End
Southampton
Hampshire. SO30 2DF

www.dimplex.co.uk

Republic of Ireland Tel. 01 8424833