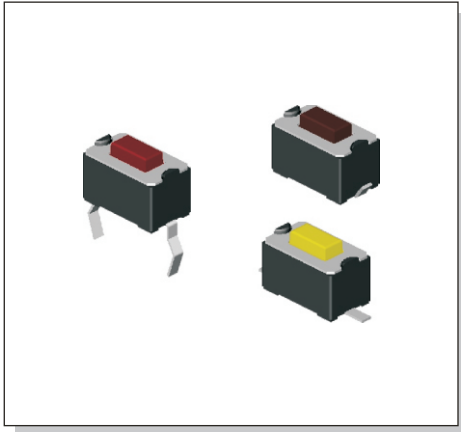
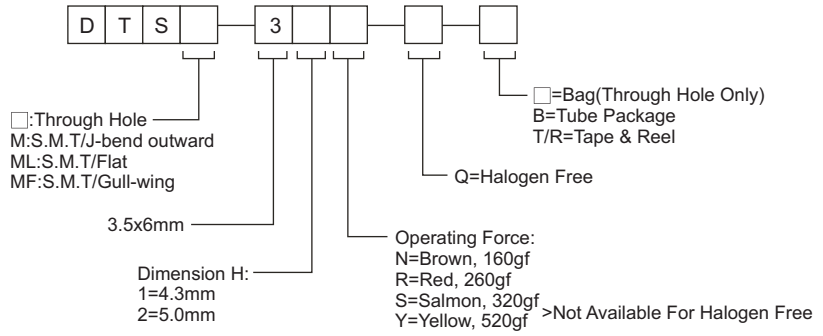


DTS-3,DTSM(L)-3 SERIES

3.5x6 Through Hole & SMT Type Tactile Switch



HOW TO ORDER



SPECIFICATION

MECHANICAL

Operation Force: 520±130gf Yellow(Y)
 320±80gf Salmon(S)
 260±50gf Red(R)
 160±50gf Brown(N)

Stroke: 0.25±0.2/-0.1mm

ENVIRONMENTAL

Operation Temperature Range: -25°C to +70°C
 Storage Temperature Range: -30°C to +80°C

ELECTRICAL

Electrical Life:
 50,000 cycles for 160gf
 30,000 cycles for 260gf, 320gf, 520gf
 Rating: 50mA, 12VDC

PACKAGE

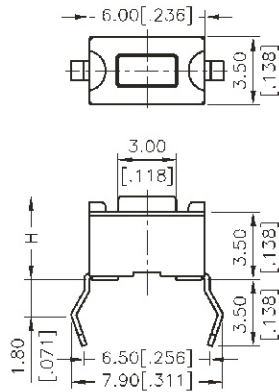
Tube: 135 pcs/tube
 DTSM(L)-31: 1800 pcs/reel
 DTSM(L)-32: 1600 pcs/reel
 Bulk: 1000 pcs/bag

CIRCUIT

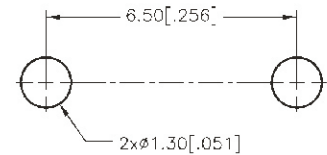


TACT SWITCH

DTS-3

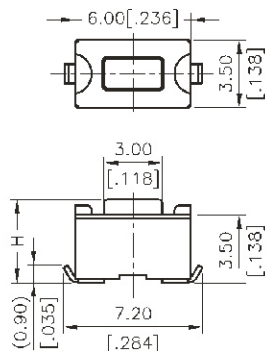


DTS-32	5.00[.197]
DTS-31	4.30[.169]
PART NO.	H

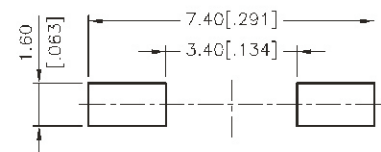


P.C.B. LAYOUT

DTSM-3



DTSM-32	5.00[.197]
DTSM-31	4.30[.169]
PART NO.	H



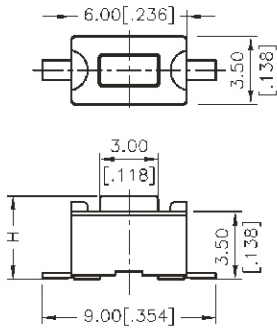
P.C.B. LAYOUT

DTS-3,DTSM(L)-3 SERIES

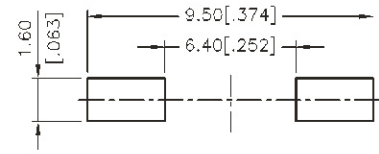
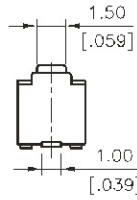
3.5x6 Through Hole & SMT Type Tactile Switch



DTSM L-3

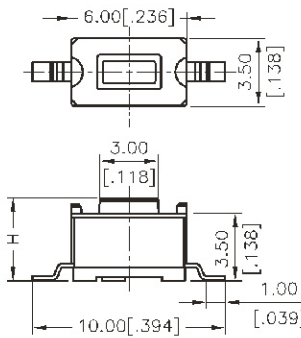


D ^T SM _L -32	5.00 [.197]
D ^T SM _L -31	4.30 [.169]
PART NO.	H

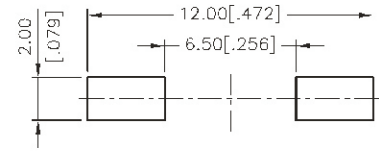
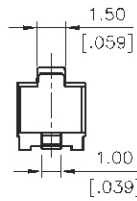


P.C.B. LAYOUT

DTSM F-3



D ^T SM _F -32	5.00 [.197]
D ^T SM _F -31	4.30 [.169]
PART NO.	H



P.C.B. LAYOUT

TACT SWITCH