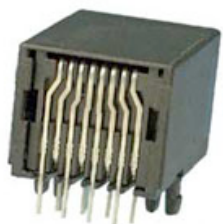


87180-088LF - Modular Jack
: Cat 3, Horizontal, Through
Mount, Low Profile
Unshielded, 8 Positions, 1 Port



www.fci.com

Specifications

General	
Keyed	No
Location Peg	Snap
Number of contacts	8
Number of contacts (Loaded)	All
Number of Ports	1
Orientation	Horizontal
Panel Stops	No
Performance Category	CAT3
Product Style	Single
Shield (Style)	None
Shielded	No
Mating half	mates with Modular Plugs conforming to FCC Part 68, Subpart F
Series Number	87180
Dimensional	
Height (Above board)	Low Profile
Thickness (Board)	1.6 mm (0.063 in.)
Electrical	
Attenuation	0.4 dB max. at 16 MHz
Crosstalk loss	34 dB at 16 Mhz
Current rating	+30°C with all Contacts powered at 1A
Resistance (Contact)	20 milli ohms max. per EIA 36423
Resistance (Insulation)	500 M-ohms min.
Return Loss	0.07 max. to 20 Mhz, 0.2 max. to 100 Mhz
Voltage rating	1000 volts signal to signal AC or DC
Mechanical	
Durability (Mating cycles)	250 Cycles
Mating force	20N (4.5 lbf)
Retention force	22.5N (5 lbf)
Mounting	
Ground tabs	None

Mounting ears	No
Mounting style	Board Through Mount
Solder process	Wave
Physical	
Color (Housing)	Black
Material (Contact)	Copper Alloy
Material (Housing)	Nylon
Plating (Contact)	0.76 µm (30 µin.) GXT™
Underplating (Contact)	2.54 µm (100 µin.) Nickel
Flammability rating	meets UL94 V0
Approvals / Certifications	
UL File Number	E82037
CSA File Number	LR46923
Approvals / Certifications	UL and CSA Approved
Other Features	
Most Popular Configuration	Yes
Options (Miscellaneous)	Housing height 11.5 mm (0.453 in.)
Packaging (Type)	Tube

PRODUCT NUMBER	NUMBER OF POS.	DIM A	DIM B	DIM C	DIM D	DIM E	DIM F	DIM G	LOADED POSITION	HOUSING COLOR	PRODUCT FIGURE	PLATING CODE X	PLATING
87180-X44/-X44LF/-X44HLF	4	3.05	3.81	7.62	11.20	3.05	5.50	7.87	ALL POS.	BLACK	FIGURE 1	0	5u" Au + high performance lubricant
2,3									1			15u" G.X.T.	
ALL POS.									2			20u" GFDP	
87180-X66/-X66LF/-X66HLF	6	5.08	6.35	10.16	13.20	4.06	6.60	9.90	2,3,4,5	BLACK	FIGURE 2	3	5u" Au + high performance lubricant
1,2,5,6									4			15u" G.X.T.	
3,4									5			50u" G.X.T.	
87180-X62/-X62LF/-X62HLF	8	7.11	8.89	11.43	15.24	4.06	6.30	11.94	ALL POS.	BLACK	FIGURE 2	6	6u" G.X.T.
ALL POS.									7			2u" G.X.T.	
2,3,4,5,6,7													
3,4,5,6													
1,4,5,8													
1,2,3,6													
1,2,7,8													
ALL POS.													
3,4,5,6	GREY												

⑪

⑪

OBSOLETE(AE)

NOTE 7 BERG MFG SLTE CODE

LEAD FREE PRODUCT NO.
MEETS PIP PROCESS PRODUCT NO.

ULTRASONIC WELD AREA

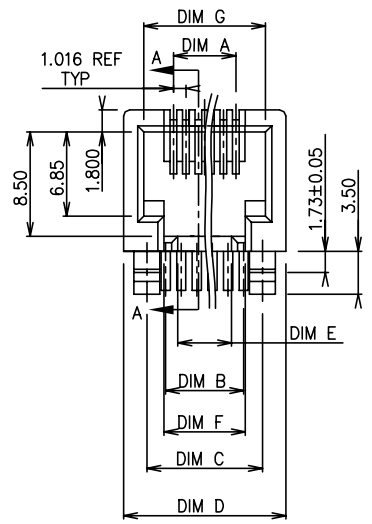
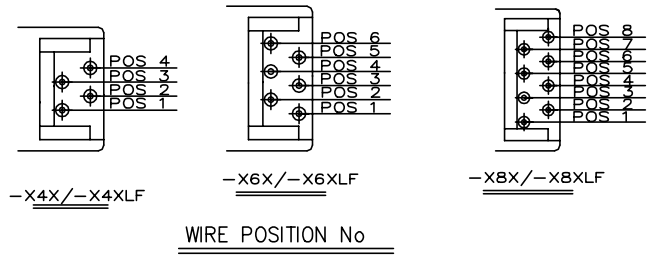
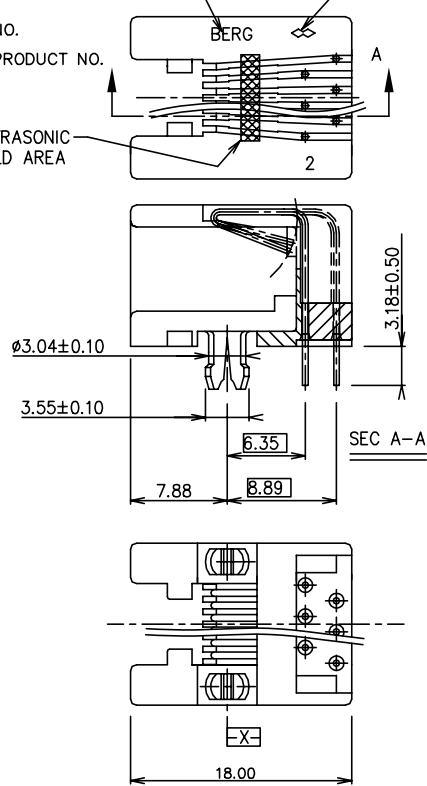


FIGURE 1 - 4 & 6 POS. TYPES.



mat'l. code	surface	tolerance	projection	product family
	ISO1302 ✓	ISO1101 ISO406		MOD JACK
ltr ecn nodr	date	tolerances unless otherwise specified	title	
AA N06-0043	DT 02/20/06	angle	mm	LOW PROFILE PCB III HORZ
AB N08-0097	SH 08/13/08	line	scale 2.0	MOD JACK, FOR 1.6MM P.C.B.
AD N08-0170	SH 09/25/08	0'±2'		dwg no
AD ELX-N-01067	SH MMD 3/14/12	dr	KCHOU	10/19/93
		enr	TONY CHIEN	10/19/93
		chr	TONY CHIEN	10/19/93
		app	JENN TSAO	10/19/93
sheet	revisior	AD	AD	
index	sheet	1	2	



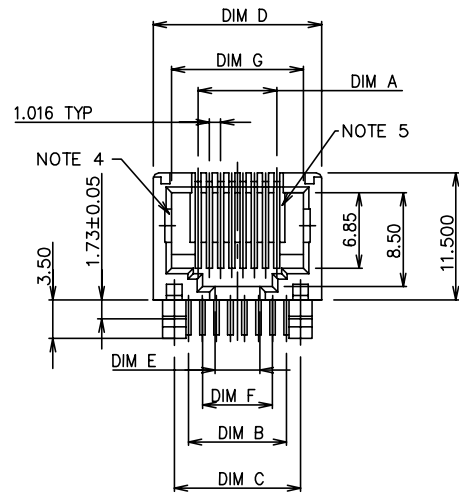
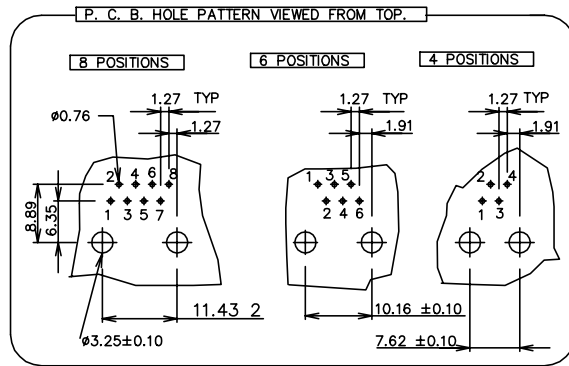
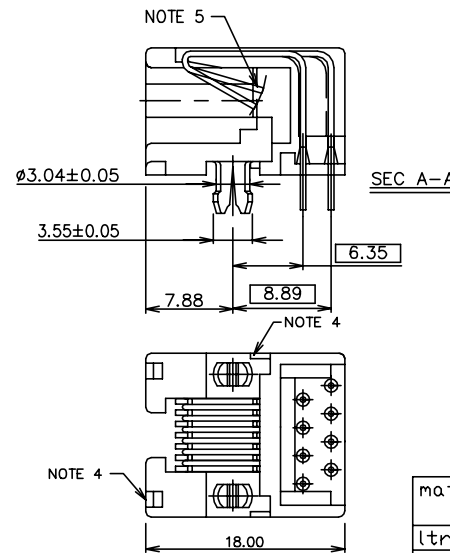
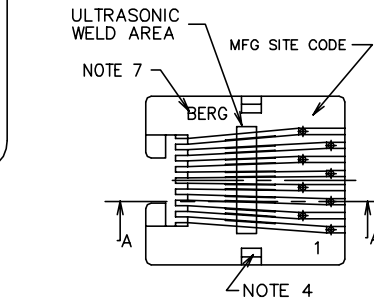
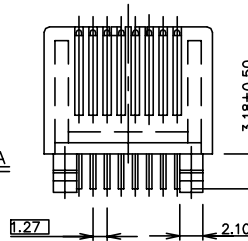


FIGURE 2- 8 POS TYPE.



NOTES:

1. RECOMMENDED P.C.B THICKNESS 1.60 MM
2. HOUSING MAT'L: NYLON 6/6, 25% GLASS REINFORCED, UL94-V0, COLOR : SEE TABLE.
3. CONTACTS: PHOS BRONZE ALLOY UNS-C51000, 0.460DIA. ROUND WIRE. PLATING SEE TABLE.
- ④ APPEARS ON 8 POS TYPE (P/N 87180-X8X) ONLY.
- ⑤ PROTRUDED SHELF ONLY APPEARS ON 8-POS JACK.
6. STANDARD PACKAGING METHOD(USE TUBE): SEE GES-14-361.
- ⑦ COMPANY LOGO CAN BE "BERG" OR "DU PONT", AND WOULD APPEAR IN THE SAME SHIPMENT UNLESS LOGO SPEC HEREIN IS UPDATED.
8. THE PRODUCT MEETS EUROPEAN UNION DIRECTIVES AND OTHER COUNTRY REGULATIONS AS DESCRIBED IN GS-22-008.
9. THE HOUSING WILL WITHSTAND EXPOSURE TO 260°C PEAK TEMPERATURE FOR 10 SECONDS IN A WAVE SOLDER APPLICATION WITH A 1.60mm MINIMUM THICK CIRCUIT BOARD.
10. IF LF P/N PACKAGING MEETS GS-14-920 SPECIFICATION.
- ⑪ EQUIVALENT THICKNESS Au AND GXT PLATING HAVE SAME FUNCTION AND THEY ARE ALTERNATIVE BY THE CUSTOEMR .



mat'l. code		surface ISO1302 ✓		tolerance ISO1101 ISO406		projection ④		product family MOD JACK	
l trechn nodr		date		tolerances unless other		mm		title	
AA	N06-0043	DT	02/20/06	angle	0.X±0.3	mm		LOW PROFILE PCB III HORZ	
AB	N08-0097	SH	08/13/08	0°±2'	0.XX±0.15	scale 2.0		MOD JACK, FOR 1.6MM P.C.B.	
AC	N08-0170	SH	09/25/08		0.XXX±0.05				
AD	ELX-N-01067	SH	MMO 3/14/12	dir	KCHOU	10/19/93	dwg no		sheet 2 of 2
					engr	TONY CHIEN	10/19/93	87180	
					chr	TONY CHIEN	10/19/93	A4	
					appd	JENN TSAO	10/19/93	type Product Customer Drawing	
sheet	revision								
index	sheet								