


**Ordering number C11918\_STRADA-T-6X1-DNW**

Family	Strada-Module	FWHM	Asym degrees
Type	Lens array	Efficiency	93 %
LED	Oslon Square PC	cd/lm	0.390
Color	Clear	Gerber File	Available
Diameter	119.8 x 25.2 mm		
Height	5.6 mm		
Style	Rectang		
Optic Material	PMMA		
Holder Material	-		
Fastening	Screw, pin, glue		
Status	Ready		

**Ordering number C13140\_STRADA-T-6X1-DWC**

Family	Strada-Module	FWHM	Asym degrees
Type	Lens array	Efficiency	96 %
LED	Oslon Square PC	cd/lm	0.600
Color	Clear	Gerber File	Available
Diameter	119.8 + 25.2 mm		
Height	5.6 mm		
Style	Rectang		
Optic Material	PMMA		
Holder Material	-		
Fastening	Screw, pin, glue		
Status	Ready		

**NOTE: The typical divergence will be changed by different color, chip size and chip position tolerance. The typical total divergence is the full angle measured where the luminous intensity is half of the peak value.**



## PRODUCT DATASHEET Strada-Module series

last update 19/12/2012



### GENERAL INFORMATION

- Product series especially designed & optimized for Oslon Square PC series of LEDs.
- Special care taken to make light distribution as uniform as possible.
- Lens material optical grade PMMA with high UV and temperature resistance. Allows use of high current and temperature conditions.

Please find more information about used material from below:

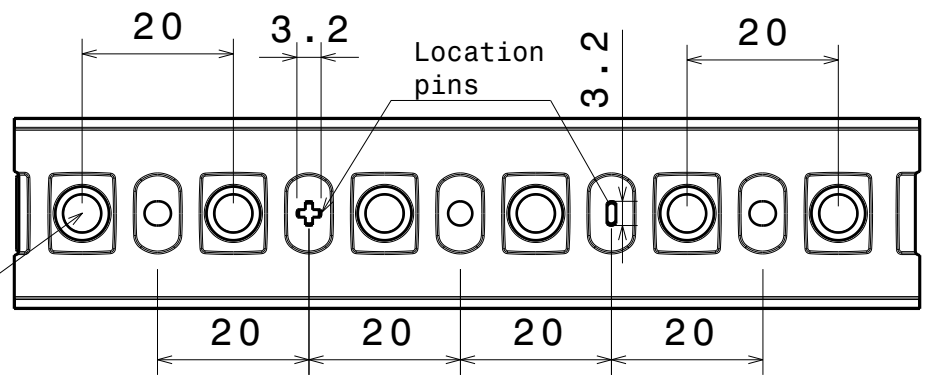
[http://ledil.fi/sites/default/files/Documents/Technical/Material/PMMA%20N%20UL94\\_Yellow%20Card.pdf](http://ledil.fi/sites/default/files/Documents/Technical/Material/PMMA%20N%20UL94_Yellow%20Card.pdf)

<http://ledil.fi/sites/default/files/Documents/Technical/Material/PMMA%20N%20PLEXIGLAS-Datasheet.pdf>

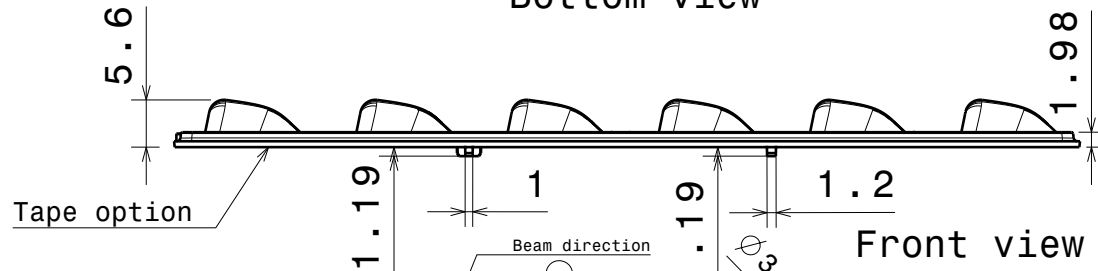
D C B A

4

LED in the center of the optic



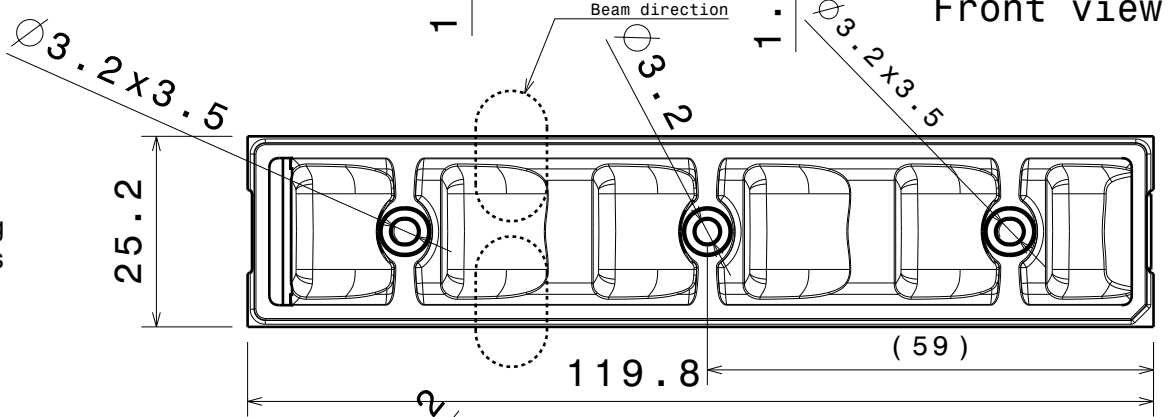
Bottom view



Front view

3

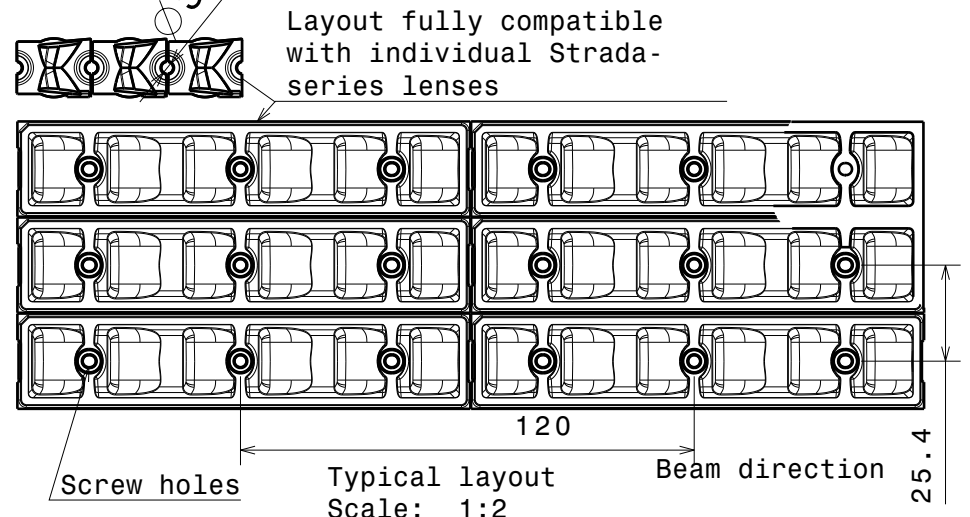
Note, Ledil Oy won't provide tape or sealing plates for this product.



2

Materials:  
Lens PMMA

Tolerances for dimensions:  
0-20mm tolerance value +0.1mm  
21-45mm tolerance value +0.2mm  
46-90mm tolerance value +0.3mm  
91-100mm tolerance value +0.4mm  
101-mm tolerance value +0.5mm



Typical layout  
Scale: 1:2

This drawing is our property. It can't be reproduced or communicated without our written agreement.



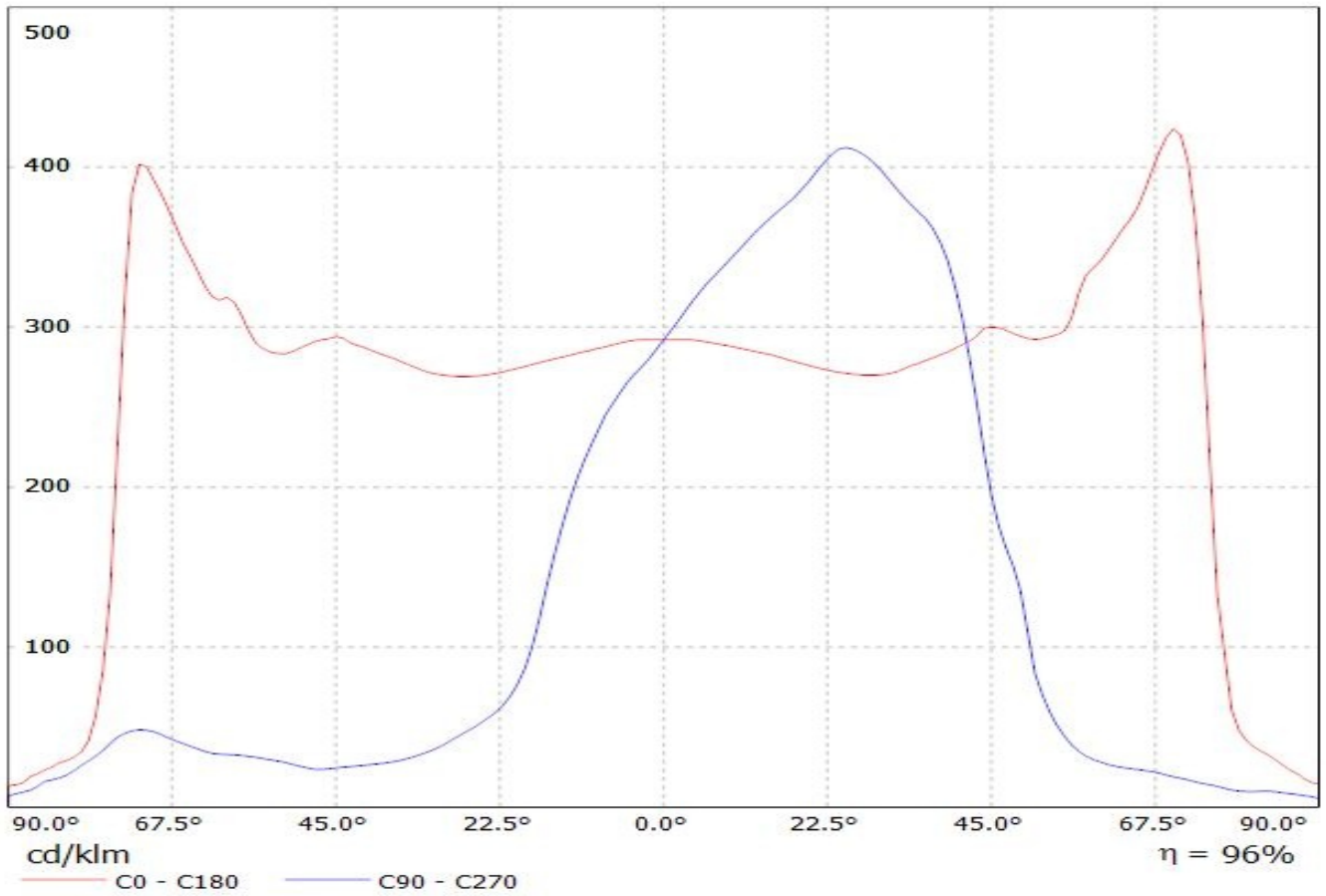
Ledil Oy  
Salorankatu 10  
FIN-24100 SALO  
Finland

1

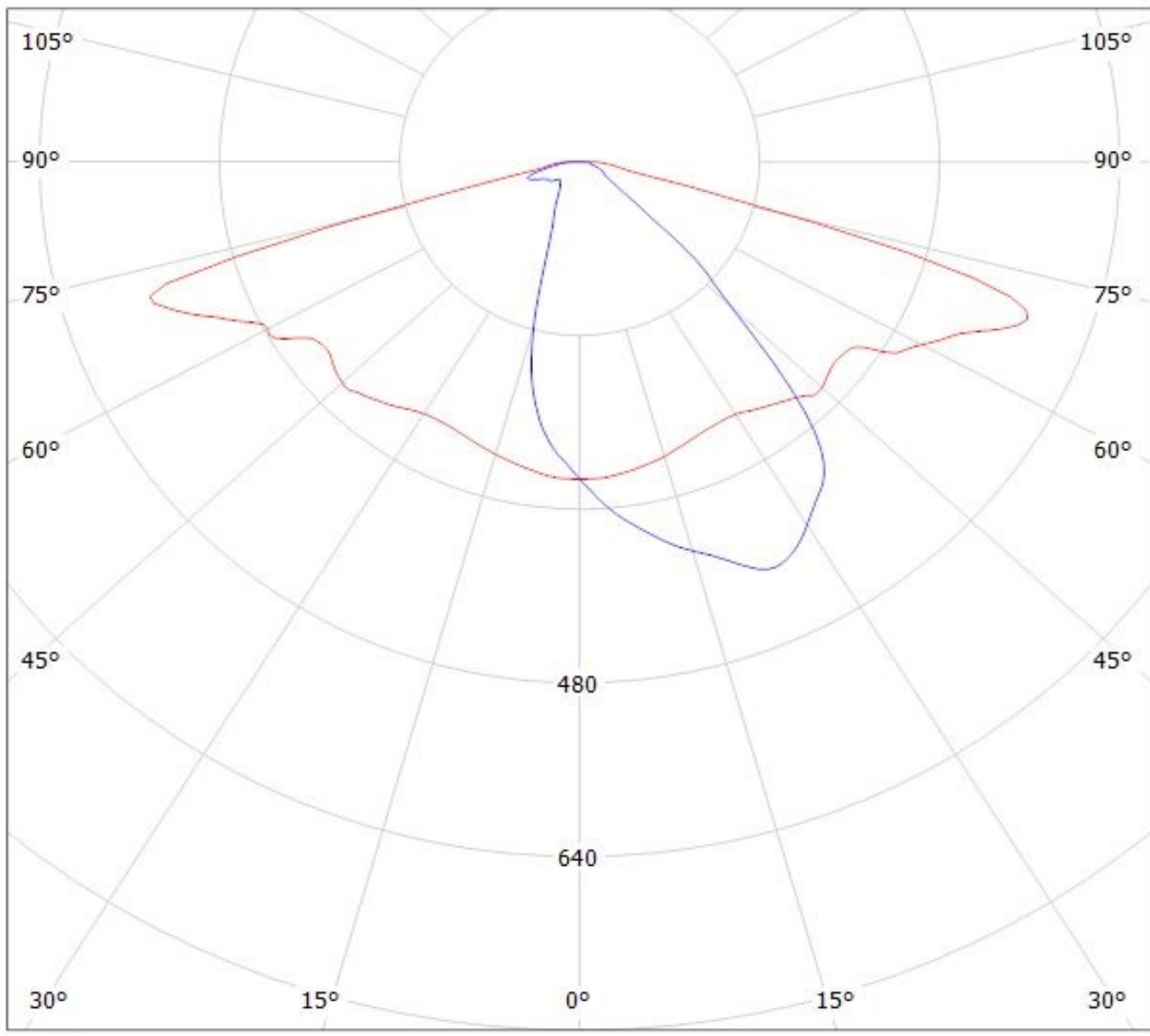
DRAWN BY pv		DATE 1.11.2012		DRAWING TITLE <b>Datasheet Strada-T-6x1-DNW Lens</b>			
CHECKED BY jl		DATE 1.11.2012		SIZE <b>A4</b>	DRAWING NUMBER <b>C11918</b>		REV <b>6</b>
DESIGNED BY hh		DATE 02.12.2010		SCALE <b>2:1</b>	WEIGHT (g)	SHEET <b>1/1</b>	

D A

Luminaire: LEDiL Oy C13140\_STRADA-T-6X1-DWC\_(SQ-PC) Eff.95.8%  
Lamps: 1 x Osram Square PC (586.106lm@250mA)



Luminaire: LEDiL Oy C13140\_STRADA-T-6X1-DWC\_(SQ-PC) Eff.95.8%  
Lamps: 1 x Osram Square PC (586.106lm@250mA)



cd/klm

— C0 - C180    — C90 - C270

$\eta = 96\%$