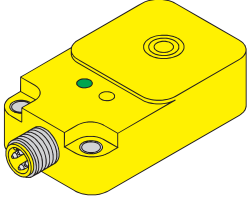


TURCK
Inductive Sensors *Uprox*

Q20



Rectangular Sensors, Plastic

Plastic Housing with Potted-In Cable or Straight Connector **Uprox**[®]

3-Wire DC



10-30 VDC, Short-Circuit and Overload Protected
Normally Open, NPN (Sinking) or PNP (Sourcing)

Specifications

Part Number	Embeddable	Rated Operating Distance (mm)	Housing Height (mm)	NPN (Sinking)	PNP (Sourcing)	Drawing #	Wiring Diagram	# of LEDs	Weld Field Immune	Switching Frequency (Hz)	ID Number	Connection
Bi15U-Q20-AN6X2	•	15	20	•		1	A	2	•	250	16088 10	2 Meter cable, PVC Jacket
Bi15U-Q20-AP6X2	•	15	20		•	1	B	2	•	250	16088 00	
Bi15U-Q20-AN6X2-H1141	•	15	20	•		2	C	2	•	250	16086 10	<p>Mating Cordsets RK 4T-2 (2 Meter) For other styles see Section F or consult "Cordsets" catalog.</p>
Bi15U-Q20-AP6X2-H1141	•	15	20		•	2	D	2	•	250	16086 00	

Cable/Conductor

Cable: PVC Jacket; 2 Meter standard length
Copper Conductor: 22 AWG
(PVC insulated)

Material

Housing: PBT-GF30-VO Plastic
Connector: Chrome Plated Brass

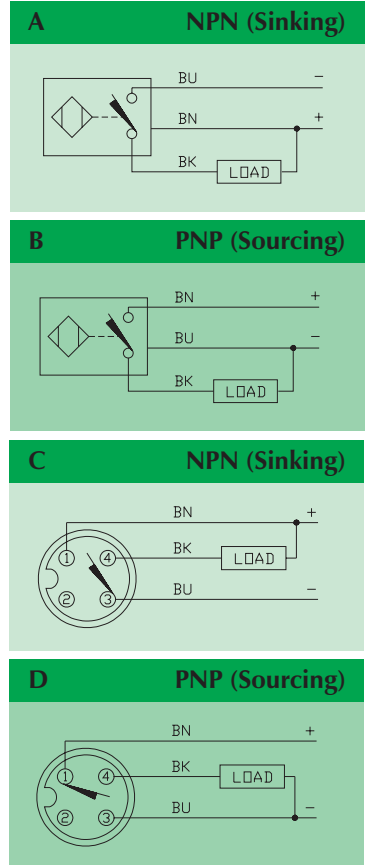
Accessories

[Accessories and mounting devices can be found in Section G.](#)

Specifications

Ripple	≤10%
Differential Travel (Hysteresis)	3-15% (5% typical)
Voltage Drop Across Conducting Sensor	≤1.8 V at 200 mA
Trigger Current for Overload Protection	≥220 mA
Continuous Load Current	≤200 mA
Off-State (Leakage) Current	<0.10 mA
No-Load Current	≤15 mA
Time Delay Before Availability	≤8 ms
Power-On Effect	Per IEC 947-5-2
Reverse Polarity Protection	Incorporated
Wire-Break Protection	Incorporated
Transient Protection	2 kV, 1 ms, 1 kΩ
Operating Temperature (10% temp. drift)	-25°C to +70°C (-13°F to +158°F)
Operating Temperature (15% temp. drift)	-30°C to +85°C (-22°F to +185°F)
Enclosure	Meets NEMA 1,3,4,6,13 and IEC IP 67
Shock	30 g, 11 ms
Vibration	55 Hz, 1 mm Amplitude in all 3 Planes
Repeatability	≤2% of Rated Operating Distance
LED On (Green)	Power On
LED On (Yellow)	Output Energized
LED Flashing (Green)	Short-Circuit Warning

Wiring Diagram



UPROX

Dimensions

